

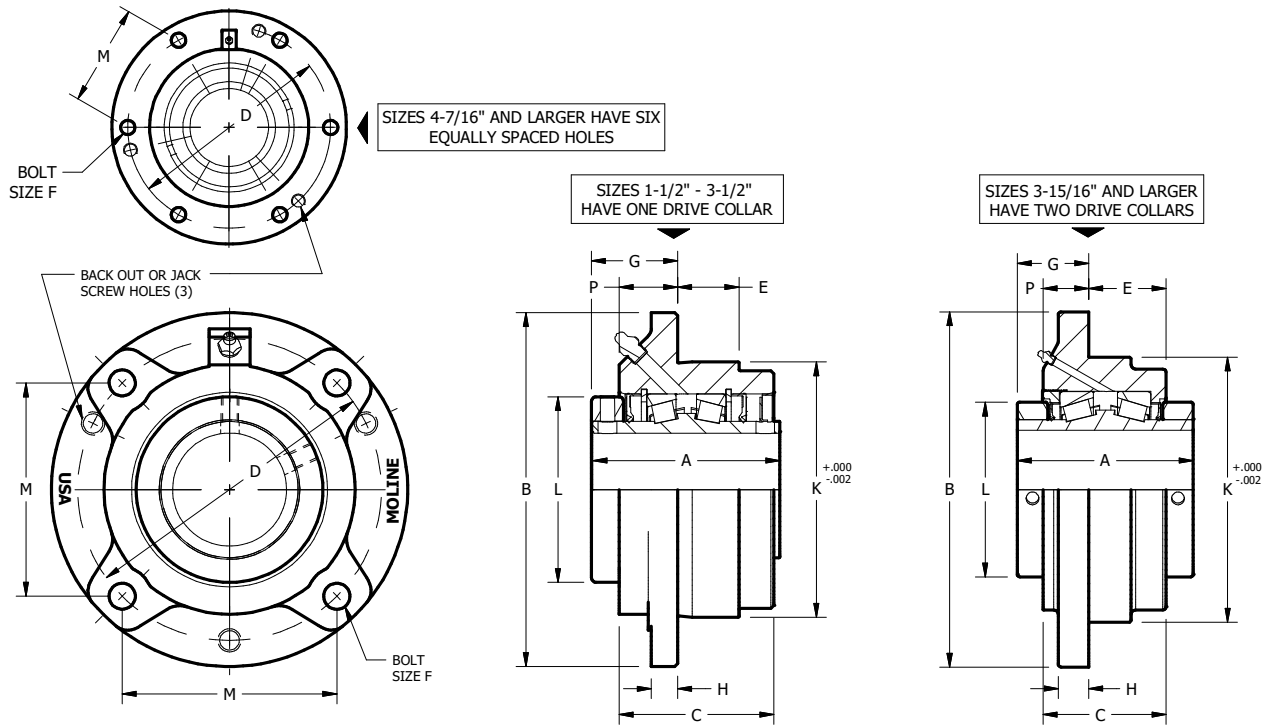
TYPE E PILOTED FLANGE

TYPE E

SHAFT SIZE	MOLINE PART #	DIMENSIONS (INCHES)												WEIGHT LBS.
		A	B	C	D	E	F	G	H	K	L	M	P	
1 1/2 1 5/8 1 11/16 40mm	19331108 19331110 19331111 19331040	3 3/8	6 1/8	2 13/16	5 1/8	1 3/8	7/16	1 9/16	7/16	4 1/4	3 1/8	3.62	1 1/16	9.2
1 3/4 1 7/8 1 15/16 2 45mm 50mm	19331112 19331114 19331115 19331200 19331045 19331050	3 1/2	6 3/8	2 29/32	5 3/8	1 3/16	7/16	1 9/16	9/16	4 1/2	3 3/8	3.80	1 1/32	10.3
2 3/16 55mm	19331203 19331055	3 3/4	7 1/8	3 3/32	6	1 3/16	1/2	1 11/16	9/16	5	3 3/4	4.24	1 3/32	12
2 1/4 2 7/16 2 1/2 60mm 65mm	19331204 19331207 19331208 19331060 19331065	4	7 5/8	3 5/16	6 1/2	1 5/16	1/2	1 13/16	5/8	5 1/2	4	4.60	1 1/4	16
2 11/16 2 3/4 2 15/16 3 70mm 75mm	19331211 19331212 19331215 19331300 19331070 19331075	4 1/2	8 3/4	3 11/16	7 1/2	1 1/2	5/8	2	3/4	6 3/8	4 11/16	5.30	1 1/4	28
3 3/16 3 1/4 3 7/16 3 1/2 80mm 85mm 90mm	19331303 19331304 19331307 19331308 19331080 19331085 19331090	5	10 1/4	4 3/16	8 5/8	1 1/4	3/4	2 7/16	7/8	7 3/8	5 5/16	6.10	1 21/32	43
3 15/16 4 100mm	19331315 19331400 19331100	6 1/4	10 7/8	4 1/2	9 3/8	1 1/2	3/4	2 11/16	15/16	8 1/8	5 3/4	6.63	1 7/8	57
4 7/16 4 1/2 110mm 115mm	19331407 19331408 19331110M 19331115M	6 3/4	13 1/2	4 5/8	11 3/4	1 1/2	3/4	3 1/32	1	10 1/4	6 1/4	5.09	2	93
4 15/16 5 125mm	19331415 19331500 19331125	7 1/4	14 3/4	5 1/16	12 3/4	1 3/4	7/8	2 31/32	1 1/4	11	7 1/4	5.52	1 7/8	122



TYPE E PILOTED FLANGE



TYPE E

