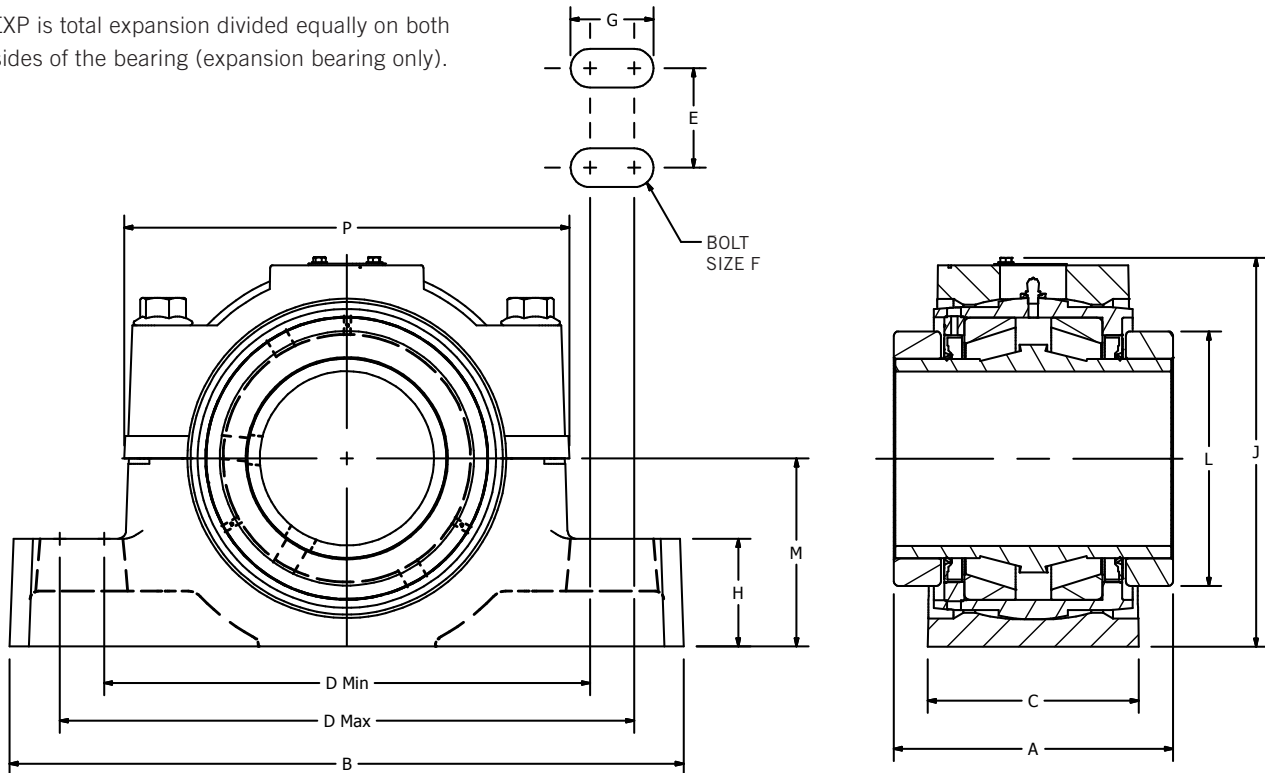


# SPLIT E1000 4-BOLT PILLOW BLOCK

TYPE E

| SHAFT SIZE | MOLINE PART # |          | DIMENSIONS (INCHES) |          |     |         |              |       |     |
|------------|---------------|----------|---------------------|----------|-----|---------|--------------|-------|-----|
|            | EXP           | NON-EXP  | A                   | B        | C   | D MIN   | CTR TO CTR D | D MAX | E   |
| 2 ¼        | 39342204      | 49342204 | 4.00                | 10 ¾     | 3 ½ | 7 ¾     | 8 ½          | 8 ¾   | 1 ⅞ |
| 2 ⅞        | 39342207      | 49342207 |                     |          |     |         |              |       |     |
| 2 ½        | 39342208      | 49342208 |                     |          |     |         |              |       |     |
| 60mm       | 39342060      | 49342060 |                     |          |     |         |              |       |     |
| 65mm       | 39342065      | 49342065 |                     |          |     |         |              |       |     |
| 2 11/16    | 39342211      | 49342211 | 4.50                | 11 ¾     | 3 ¾ | 8 ¾     | 9 ½          | 10    | 2 ⅞ |
| 2 ¾        | 39342212      | 49342212 |                     |          |     |         |              |       |     |
| 2 15/16    | 39342215      | 49342215 |                     |          |     |         |              |       |     |
| 3          | 39342300      | 49342300 |                     |          |     |         |              |       |     |
| 70mm       | 39342070      | 49342070 |                     |          |     |         |              |       |     |
| 75mm       | 39342075      | 49342075 | 5.00                | 13 ¾     | 4 ½ | 10 9/16 | 11           | 11 ¾  | 2 ¾ |
| 3 3/16     | 39342303      | 49342303 |                     |          |     |         |              |       |     |
| 3 ¼        | 39342304      | 49342304 |                     |          |     |         |              |       |     |
| 3 7/16     | 39342307      | 49342307 |                     |          |     |         |              |       |     |
| 3 ½        | 39342308      | 49342308 |                     |          |     |         |              |       |     |
| 80mm       | 39342080      | 49342080 | 39342090            | 49342090 |     |         |              |       |     |
| 85mm       | 39342085      | 49342085 |                     |          |     |         |              |       |     |
| 90mm       | 39342090      | 49342090 |                     |          |     |         |              |       |     |

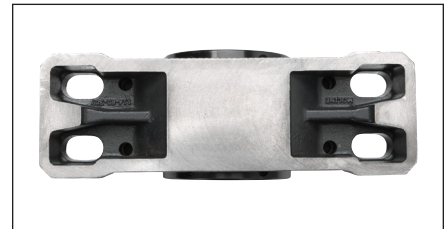
\*EXP is total expansion divided equally on both sides of the bearing (expansion bearing only).



# SPLIT E1000 PILLOW BLOCK TAPERED ROLLER BEARING

| SHAFT SIZE   | DIMENSIONS (INCHES) |       |       |         |        |      |        |      | WT. LBS. |
|--|---------------------|-------|-------|---------|--------|------|--------|------|----------|
|  | F                   | G     | H     | J       | L      | M    | P      | EXP* |          |
| 2 1/4<br>2 7/16<br>2 1/2<br>60mm<br>65mm                   | 5/8                 | 1 1/4 | 1 5/8 | 6 1/8   | 4      | 2.75 | 6 7/16 | .56  | 30       |
| 2 11/16<br>2 3/4<br>2 15/16<br>3<br>70mm<br>75mm           | 5/8                 | 1 3/8 | 1 7/8 | 6 13/16 | 4 5/8  | 3.13 | 7 1/2  | .56  | 44       |
| 3 3/16<br>3 1/4<br>3 7/16<br>3 1/2<br>80mm<br>85mm<br>90mm | 3/4                 | 1 1/2 | 2 1/4 | 8       | 5 5/16 | 3.75 | 9 5/16 | .56  | 74       |

TYPE E



For personal service 800.242.4633  
 CAD drawings at no additional charge  
 For nomenclature see pages 240 and 241

**MOLINE BEARING CO**

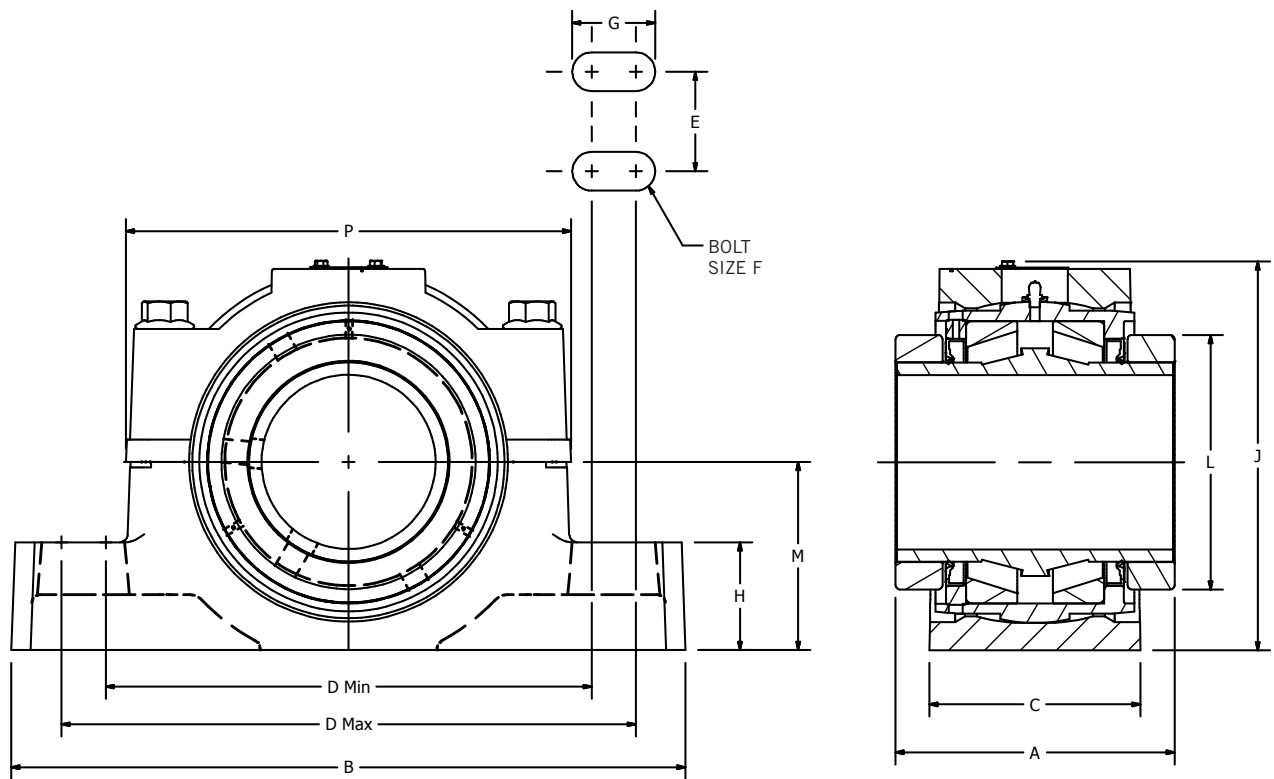


# SPLIT E1000 4-BOLT PILLOW BLOCK

TYPE E

| SHAFT SIZE                        | MOLINE PART # |          | DIMENSIONS (INCHES) |        |        |        |              |        |       |
|-----------------------------------|---------------|----------|---------------------|--------|--------|--------|--------------|--------|-------|
|                                   | EXP           | NON-EXP  | A                   | B      | C      | D MIN  | CTR TO CTR D | D MAX  | E     |
| 3 15/16<br>4<br>100mm             | 39342315      | 49342315 | 6.25                | 15 1/4 | 4 3/4  | 11     | 12 1/2       | 13     | 2 1/4 |
|                                   | 39342400      | 49342400 |                     |        |        |        |              |        |       |
|                                   | 39342100      | 49342100 |                     |        |        |        |              |        |       |
| 4 7/16<br>4 1/2<br>110mm<br>115mm | 39342407      | 49342407 | 6.75                | 16 1/2 | 5 1/16 | 11 3/4 | 13 1/2       | 13 7/8 | 2 1/2 |
|                                   | 39342408      | 49342408 |                     |        |        |        |              |        |       |
|                                   | 39342110      | 49342110 |                     |        |        |        |              |        |       |
|                                   | 39342115      | 49342115 |                     |        |        |        |              |        |       |
| 4 15/16<br>5<br>125mm             | 39342415      | 49342415 | 7.25                | 18 1/2 | 5 5/8  | 13 1/2 | 15 1/2       | 15 7/8 | 2 7/8 |
|                                   | 39342500      | 49342500 |                     |        |        |        |              |        |       |
|                                   | 39342125      | 49342125 |                     |        |        |        |              |        |       |

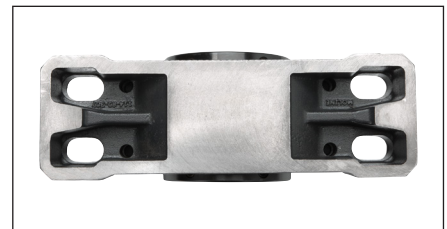
\*EXP is total expansion divided equally on both sides of the bearing (expansion bearing only).



# SPLIT E1000 PILLOW BLOCK TAPERED ROLLER BEARING

| SHAFT SIZE  | DIMENSIONS (INCHES)         |                                 |                                |                                 |                               |      |                                 |      | WT. LBS. |
|---|-----------------------------|---------------------------------|--------------------------------|---------------------------------|-------------------------------|------|---------------------------------|------|----------|
|   | F                           | G                               | H                              | J                               | L                             | M    | P                               | EXP* |          |
| 3 <sup>15</sup> / <sub>16</sub><br>4<br>100mm                                     | <sup>3</sup> / <sub>4</sub> | 1 <sup>7</sup> / <sub>8</sub>   | 2 <sup>7</sup> / <sub>16</sub> | 8 <sup>13</sup> / <sub>16</sub> | 5 <sup>3</sup> / <sub>4</sub> | 4.25 | 10 <sup>1</sup> / <sub>16</sub> | .56  | 110      |
| 4 <sup>7</sup> / <sub>16</sub><br>4 <sup>1</sup> / <sub>2</sub><br>110mm<br>115mm | <sup>3</sup> / <sub>4</sub> | 1 <sup>15</sup> / <sub>16</sub> | 2 <sup>3</sup> / <sub>4</sub>  | 9 <sup>13</sup> / <sub>16</sub> | 6 <sup>1</sup> / <sub>4</sub> | 4.75 | 11 <sup>1</sup> / <sub>16</sub> | .56  | 153      |
| 4 <sup>15</sup> / <sub>16</sub><br>5<br>125mm                                     | <sup>3</sup> / <sub>4</sub> | 2 <sup>1</sup> / <sub>16</sub>  | 3                              | 11 <sup>3</sup> / <sub>8</sub>  | 7 <sup>1</sup> / <sub>4</sub> | 5.50 | 12 <sup>3</sup> / <sub>4</sub>  | .56  | 194      |

TYPE E



For personal service 800.242.4633  
CAD drawings at no additional charge  
For nomenclature see pages 240 and 241

**MOLINE BEARING CO**

