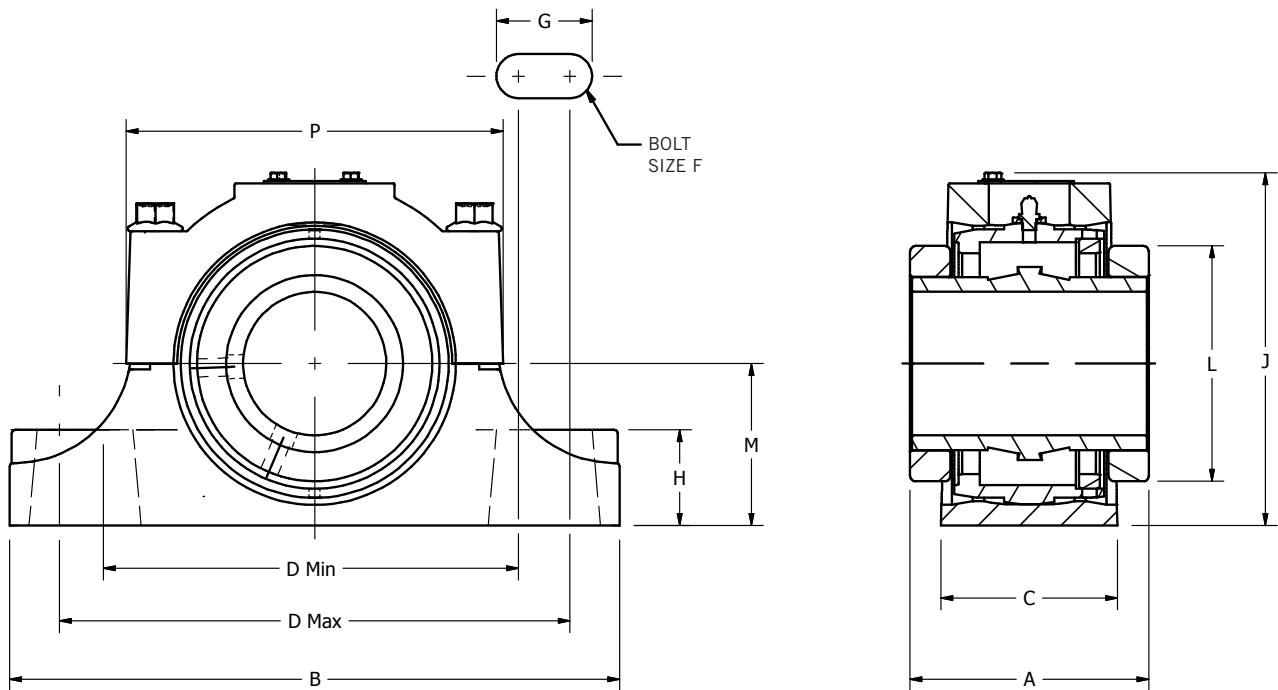


SPLIT E1000 2-BOLT PILLOW BLOCK

TYPE E

SHAFT SIZE	MOLINE PART #		DIMENSIONS (INCHES)					
	EXP	NON-EXP	A	B	C	D MIN	CTR TO CTR D	D MAX
1 3/16 1 1/4	39322103 39322104	49322103 49322104	2.75	6 1/4	1 7/8	4 9/16	4 3/4	4 15/16
1 3/8 1 7/16 35mm	39322106 39322107 39322035	49322106 49322107 49322035	3.00	7 1/4	2 3/16	5 5/16	5 5/8	5 15/16
1 1/2 1 5/8 1 11/16 40mm	39322108 39322110 39322111 39322040	49322108 49322110 49322111 49322040	3.38	7 3/4	2 3/8	5 9/16	6	6 7/16
1 3/4 1 7/8 1 15/16 2 45mm 50mm	39322112 39322114 39322115 39322200 39322045 39322050	49322112 49322114 49322115 49322200 49322045 49322050	3.50	8 7/8	2 1/2	6 5/16	6 3/4	7 1/4
2 3/16 55mm	39322203 39322055	49322203 49322055	3.75	9 5/8	2 5/8	6 11/16	7 5/16	7 15/16

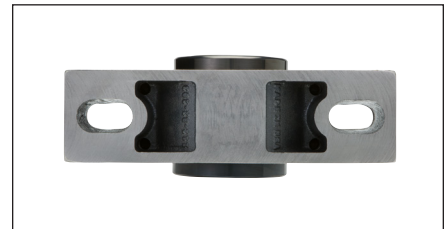
*EXP is total expansion divided equally on both sides of the bearing (expansion bearing only).



SPLIT E1000 PILLOW BLOCK TAPERED ROLLER BEARING

SHAFT SIZE	DIMENSIONS (INCHES)								WT. LBS.
	F	G	H	J	L	M	P	EXP*	
1 3/16 1 1/4	1/2	3/4	7/8	3 1/2	2 1/4	1.50	4 1/16	.56	9
1 3/8 1 7/16 35mm	1/2	15/16	1 1/8	4 3/16	2 1/2	1.88	4 5/8	.56	11
1 1/2 1 5/8 1 11/16 40mm	1/2	1 1/16	1 1/4	4 11/16	2 7/8	2.13	5 1/8	.56	14
1 3/4 1 7/8 1 15/16 2 45mm 50mm	5/8	1 3/16	1 5/16	5	3 1/8	2.25	5 13/16	.56	16
2 3/16 55mm	5/8	1 3/8	1 1/2	5 7/16	3 5/8	2.50	6	.56	19

TYPE E



For personal service 800.242.4633
 CAD drawings at no additional charge
 For nomenclature see pages 240 and 241

MOLINE BEARING CO

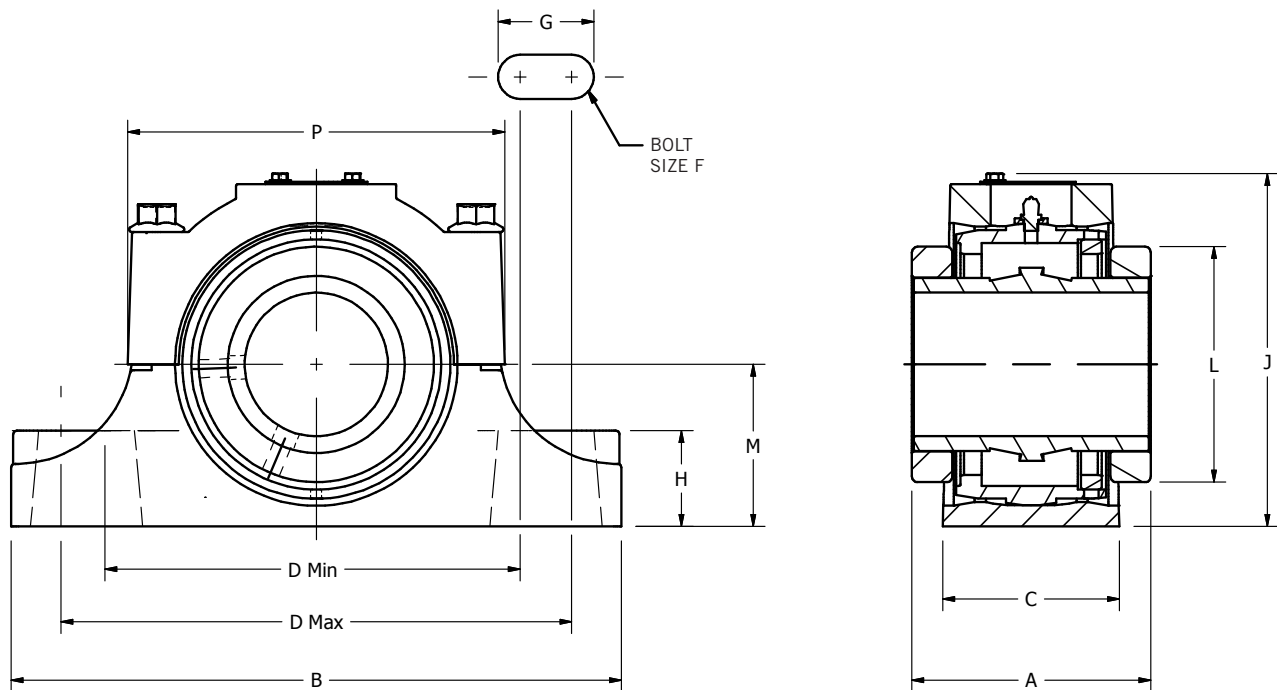


SPLIT E1000 2-BOLT PILLOW BLOCK

TYPE E

SHAFT SIZE	MOLINE PART #		DIMENSIONS (INCHES)					
	EXP	NON-EXP	A	B	C	D MIN	CTR TO CTR D	D MAX
2 ¼	39322204	49322204	4.00	10 ¾	3	6 15/16	7 13/16	8 11/16
2 7/16	39322207	49322207						
2 ½	39322208	49322208						
60mm	39322060	49322060						
65mm	39322065	49322065						
2 11/16	39322211	49322211	4.50	11 ¾	3 7/16	8 1/16	9	10
2 ¾	39322212	49322212						
2 15/16	39322215	49322215						
3	39322300	49322300						
70mm	39322070	49322070						
75mm	39322075	49322075	5.00	13 ¾	4 1/16	10 ½	10 15/16	11 ¾
3 3/16	39322303	49322303						
3 ¼	39322304	49322304						
3 7/16	39322307	49322307						
3 ½	39322308	49322308						
80mm	39322080	49322080						
85mm	39322085	49322085						
90mm	39322090	49322090						

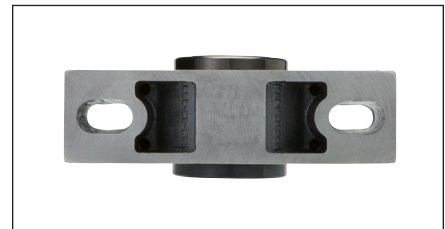
*EXP is total expansion divided equally on both sides of the bearing (expansion bearing only).



SPLIT E1000 PILLOW BLOCK TAPERED ROLLER BEARING

SHAFT SIZE	DIMENSIONS (INCHES)								WT. LBS.
	F	G	H	J	L	M	P	EXP*	
2 ¼ 2 7/16 2 ½ 60mm 65mm	5/8	1 5/8	1 5/8	6	4	2.75	6 7/16	.56	24
2 11/16 2 ¾ 2 15/16 3 70mm 75mm	¾	1 13/16	1 7/8	6 ¾	4 5/8	3.13	7 ½	.56	35
3 3/16 3 ¼ 3 7/16 3 ½ 80mm 85mm 90mm	7/8	1 13/16	2 ¼	7 15/16	5 5/16	3.75	9 3/8	.56	59

TYPE E



For personal service 800.242.4633
 CAD drawings at no additional charge
 For nomenclature see pages 240 and 241

MOLINE BEARING CO

