

TYPE E 4-BOLT PILLOW BLOCK

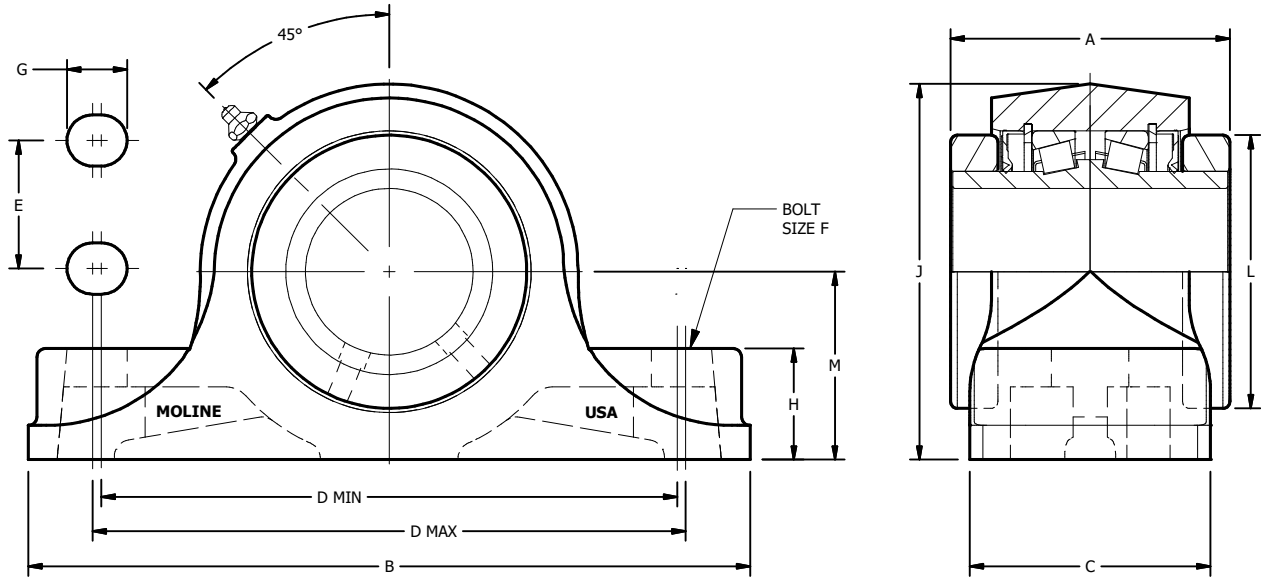
TYPE E

SHAFT SIZE	MOLINE PART #	DIMENSIONS (INCHES)													WEIGHT LBS.
		A	B	C	MIN D	CENTER TO CENTER D	MAX D	E	F	G*	H	J	L	M	
2 1/4	19341204	4	10 1/2	3 1/2	8 5/16	8 1/2	8 11/16	1 7/8	5/8	7/8	1 5/8	5 1/2	4	2 3/4	19
2 7/16	19341207														
2 1/2	19341208														
60mm	19341060														
65mm	19341065														
2 11/16	19341211	4 1/2	12	4	9 3/16	9 1/2	9 13/16	2 1/8	5/8	7/8	1 7/8	6 1/4	4 11/16	3 1/8	26
2 3/4	19341212														
2 15/16	19341215														
3	19341300														
70mm	19341070														
75mm	19341075														
3 3/16	19341303	5	14	4 1/2	10 3/4	11	11 1/4	2 3/8	3/4	1 3/16	2 1/4	7 1/2	5 5/16	3 3/4	44
3 1/4	19341304														
3 7/16	19341307														
3 1/2	19341308														
80mm	19341080														
85mm	19341085														
90mm	19341090														
3 15/16	19341315	6 1/4	15 1/4	4 1/2	10 7/16	11 11/16	12 7/8	2 1/4	3/4	1 1/8	2 7/16	8 1/2	5 3/4	4 1/4	65
4	19341400														
100mm	19341100														

*Note: The elongated slots give broader mounting capabilities.



TYPE E 4-BOLT PILLOW BLOCK



TYPE E



For personal service 800.242.4633
 CAD drawings at no additional charge
 For nomenclature see pages 240 and 241

MOLINE BEARING CO



TYPE E 4-BOLT PILLOW BLOCK CONTINUED

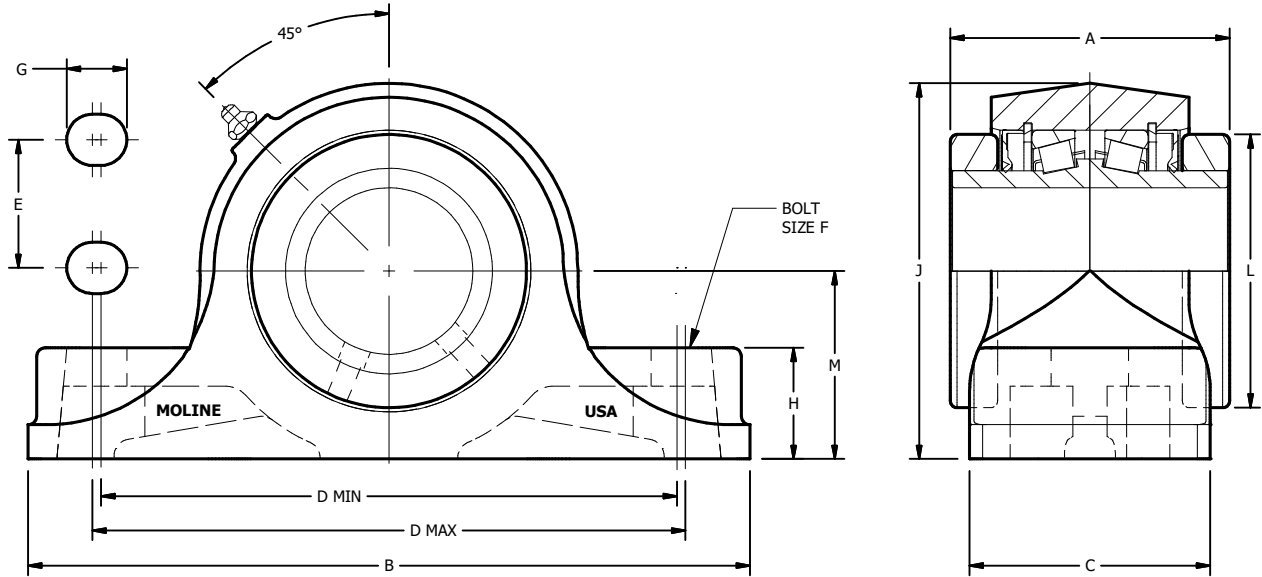
TYPE E

SHAFT SIZE	MOLINE PART #	DIMENSIONS (INCHES)													WEIGHT LBS.
		A	B	C	MIN D	CENTER TO CENTER D	MAX D	E	F	G*	H	J	L	M	
4 7/16	19341407	6 3/4	16 5/8	4 5/8	13 1/4	13 1/2	13 3/4	2 1/2	3/4	1 3/16	2 3/4	9 3/8	6 1/4	4 3/4	81
4 1/2	19341408														
110mm	19341110														
115mm	19341115														
4 15/16	19341415	7 1/4	18 1/2	5 1/8	15	15 1/2	16	2 3/4	7/8	1 1/4	3	10 7/8	7 1/4	5 1/2	132
5	19341500														
125mm	19341125														
5 7/16	19341507	9	22	6 1/4	17 3/8	18 1/4	19 1/8	3 3/4	1	2	3 1/4	13 3/16	9 3/8	6 11/16	243
5 1/2	19341508														
5 15/16	19341515														
6	19341600														
130mm	19341130														
135mm	19341135														
140mm	19341140														
150mm	19341150														
6 7/16	19341607	10 1/2	26	7 1/8	21 1/4	22 1/4	23 1/4	4 5/8	1	2 1/8	3 1/16	15	10 1/2	7 1/2	356
6 1/2	19341608														350
6 15/16	19341615														340
7	19341700														335
160mm	19341160														340
170mm	19341170														340
180mm	19341180														335

*Note: The elongated slots give broader mounting capabilities.



TYPE E 4-BOLT PILLOW BLOCK



TYPE E

