

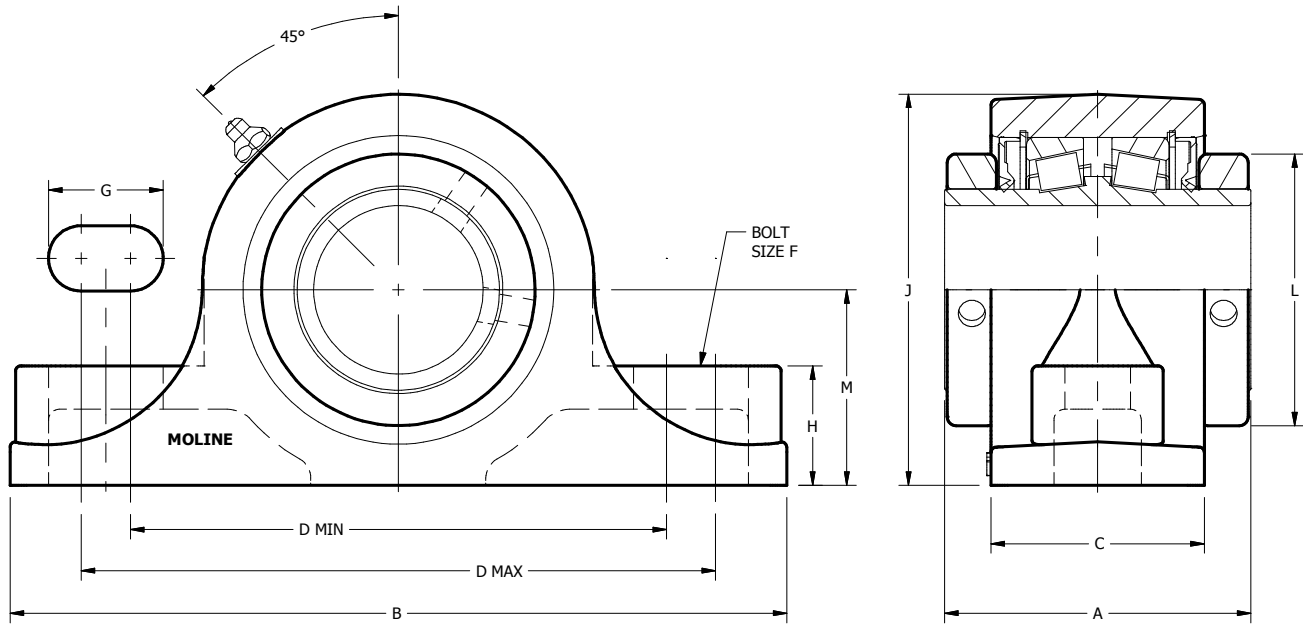
TYPE E 2-BOLT PILLOW BLOCK

SHAFT SIZE	MOLINE PART #	DIMENSIONS (INCHES)												WEIGHT LBS.	
		A	B	C	MIN D	CENTER TO CENTER D	MAX D	F	G*	H	J	L	M		
1	19321100	2 ⁷ / ₈										2			
1 ³ / ₁₆	19321103	2 ³ / ₄	6 ¹ / ₄	1 ⁷ / ₈	4 ³ / ₁₆	4 ⁹ / ₁₆	5	½	1	7/8	3	2 ¹ / ₄	1 ¹ / ₂	4	
1 ¹ / ₄	19321104											2			
25 mm	19321025	2 ⁷ / ₈													
1 ³ / ₈	19321106	3	7 ³ / ₈	2 ¹ / ₈	5	5 ¹ / ₂	6	½	1 ¹ / ₈	1 ¹ / ₈	3 ⁷ / ₈	2 ¹ / ₂	1 ⁷ / ₈	6.9	
1 ⁷ / ₁₆	19321107														
35 mm	19321035														
1 ¹ / ₂	19321108	3 ³ / ₈	7 ⁷ / ₈	2 ³ / ₈	5 ⁵ / ₈	6 ¹ / ₁₆	6 ¹ / ₂	½	1 ¹ / ₁₆	1 ¹ / ₄	4 ¹ / ₄	2 ⁷ / ₈	2 ¹ / ₈	9.5	
1 ⁵ / ₈	19321110														
1 ¹¹ / ₁₆	19321111														
40 mm	19321040														
1 ³ / ₄	19321112	3 ¹ / ₂	8 ⁷ / ₈	2 ¹ / ₂	6 ¹ / ₈	6 ¹¹ / ₁₆	7 ¹ / ₄	5/8	1 ⁵ / ₁₆	1 ⁵ / ₁₆	4 ¹ / ₂	3 ³ / ₈	2 ¹ / ₄	11	
1 ⁷ / ₈	19321114														
1 ¹⁵ / ₁₆	19321115														
2	19321200														
45 mm	19321045														
50 mm	19321050														
2 ³ / ₁₆	19321203	3 ³ / ₄	9 ⁵ / ₈	2 ⁵ / ₈	6 ¹¹ / ₁₆	7 ³ / ₈	8	5/8	1 ⁷ / ₁₆	1 ¹ / ₂	5	3 ⁵ / ₈	2 ¹ / ₂	14	
55 mm	19321055														
2 ¹ / ₄	19321204	4	10 ¹ / ₂	2 ⁷ / ₈	7 ¹ / ₈	7 ⁷ / ₈	8 ⁵ / ₈	5/8	1 ¹ / ₂	1 ⁵ / ₈	5 ¹ / ₁₆	4	2 ³ / ₄	19	
2 ⁷ / ₁₆	19321207														
2 ¹ / ₂	19321208														
60 mm	19321060														
65 mm	19321065														
2 ¹ / ₁₆	19321211	4 ¹ / ₂	12	3	7 ⁷ / ₈	8 ¹³ / ₁₆	9 ³ / ₄	3/4	1 ¹³ / ₁₆	1 ⁷ / ₈	6 ⁵ / ₁₆	4 ¹¹ / ₁₆	3 ¹ / ₈	26	
2 ³ / ₄	19321212														
2 ¹⁵ / ₁₆	19321215														
3	19321300														
70 mm	19321070														
75 mm	19321075														
3 ³ / ₁₆	19321303	5	14	3 ⁵ / ₈	9 ³ / ₄	10 ⁵ / ₈	11 ¹ / ₂	7/8	1 ⁷ / ₈	2 ¹ / ₄	7 ¹ / ₂	5 ⁵ / ₁₆	3 ³ / ₄	44	
3 ¹ / ₄	19321304														
3 ⁷ / ₁₆	19321307														
3 ¹ / ₂	19321308														
80 mm	19321080														
85 mm	19321085														
90 mm	19321090														

*Note: The elongated slots give broader mounting capabilities.



TYPE E 2-BOLT PILLOW BLOCK



TYPE E

