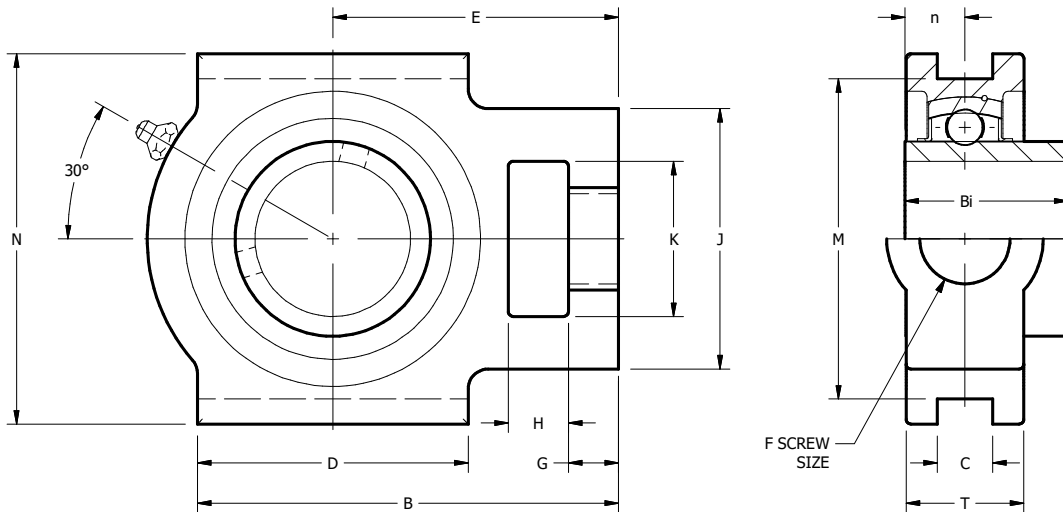


NORMAL DUTY UC WIDE SLOT TAKE-UP

UCT 200 Series—Mounted Ball Bearing Set Screw Lock

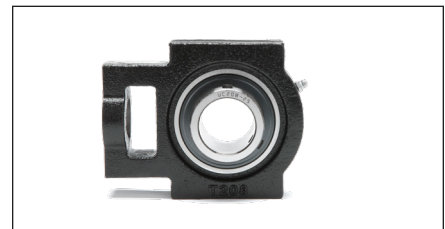
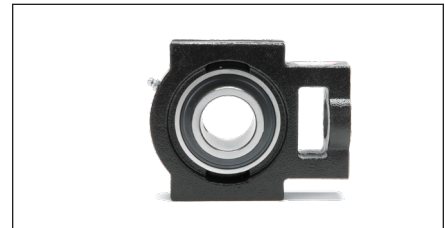
SHAFT SIZE	MOLINE PART #	UNIT #	DYNAMIC CAPACITY LBS	DIMENSIONS (INCHES)						
				H	G	J	K	F	D	C
1/2	19451008	UCT 201-08	2878	5/8	3/8	2	1 1/4	5/8	2	15/32
5/8	19451010	UCT 202-10								
3/4	19451012	UCT 204-12								
7/8	19451014	UCT 205-14	3147	5/8	3/8	2	1 1/4	5/8	2	15/32
15/16	19451015	UCT 205-15								
1	19451100	UCT 205-16								
1 1/8	19451102	UCT 206-18	4384	5/8	3/8	2 3/16	1 7/16	3/4	2 1/4	15/32
1 3/16	19451103	UCT 206-19								
1 1/4	19451104-06	UCT 206-20								
1 1/4	19451104	UCT 207-20	5778	5/8	1/2	2 1/2	1 7/16	3/4	2 1/2	15/32
1 5/16	19451105	UCT 207-21								
1 3/8	19451106	UCT 207-22								
1 7/16	19451107	UCT 207-23								
1 1/2	19451108	UCT 208-24	6654	3/4	5/8	3 1/4	1 15/16	1	3 1/4	5/8
1 9/16	19451109	UCT 208-25								

For sale as complete units, inserts and housings.



NORMAL DUTY UC WIDE SLOT TAKE-UP

SHAFT SIZE	DIMENSIONS (INCHES)							INSERT #	HOUSING #	WEIGHT LBS.
	M	N	B	T	E	Bi	n			
1/2 5/8 3/4	3	3 1/2	3 11/16	13/16	2 3/8	1.220	.550	UC 201-08 UC 202-10 UC 204-12	T204	1.85
7/8 15/16 1	3	3 1/2	3 13/16	15/16	2 7/16	1.339	.563	UC 205-14 UC 205-15 UC 205-16	T205	1.76
1 1/8 1 3/16 1 1/4	3 1/2	4	4 7/16	1 3/32	2 3/4	1.500	.626	UC 206-18 UC 206-19 UC 206-20	T206	2.42
1 1/4 1 5/16 1 3/8 1 7/16	3 1/2	4	5 1/16	1 3/16	3 1/16	1.689	.689	UC 207-20 UC 207-21 UC 207-22 UC 207-23	T207	3.53
1 1/2 1 9/16	4	4 1/2	5 11/16	1 5/16	3 1/2	1.937	.748	UC 208-24 UC 208-25	T208	5.51



BALL BEARINGS

For personal service 800.242.4633
CAD drawings at no additional charge
For nomenclature see pages 240 and 241

MOLINE BEARING CO

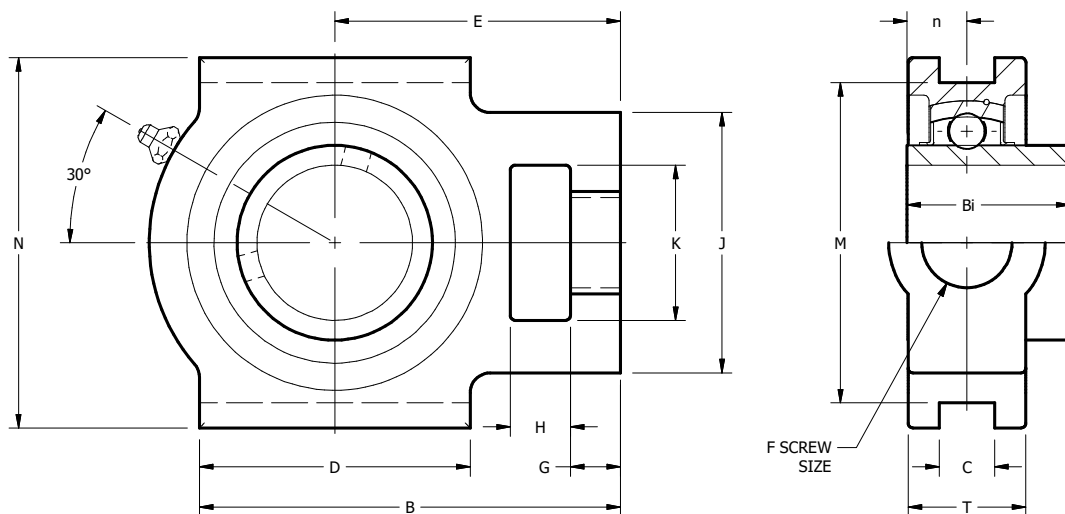


NORMAL DUTY UC WIDE SLOT TAKE-UP CONTINUED

UCT 200 Series—Mounted Ball Bearing Set Screw Lock

SHAFT SIZE	MOLINE PART #	UNIT #	DYNAMIC CAPACITY LBS	DIMENSIONS (INCHES)						
				H	G	J	K	F	D	C
1 5/8	19451110	UCT 209-26	7160	3/4	5/8	3 1/4	1 15/16	1	3 1/4	5/8
1 11/16	19451111	UCT 209-27								
1 3/4	19451112	UCT 209-28								
1 7/8	19451114	UCT 210-30	7891	3/4	5/8	3 1/4	1 15/16	1	3 3/8	1 1/16
1 15/16	19451115	UCT 210-31								
2	19451200-10	UCT 210-32								
2	19451200	UCT 211-32	9790	1	3/4	4	2 1/2	1 1/4	3 3/4	1 1/16
2 1/8	19451202	UCT 211-34								
2 3/16	19451203	UCT 211-35								
2 1/4	19451204	UCT 212-36	10746	1 1/4	3/4	4	2 1/2	1 1/4	4	1 1/16
2 3/8	19451206	UCT 212-38								
2 7/16	19451207	UCT 212-39								
2 1/2	19451208	UCT 213-40	12859	1 1/4	13/16	4 3/8	2 3/4	1 1/2	4 3/4	1 1/32
2 3/4	19451212	UCT 214-44								
2 15/16	19451215	UCT 215-47	14837	1 1/4	13/16	4 3/8	2 3/4	1 1/2	4 3/4	1 1/32
3	19451300	UCT 215-48								

For sale as complete units, inserts and housings.

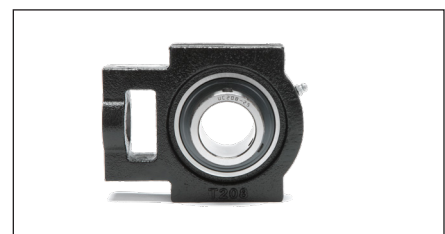
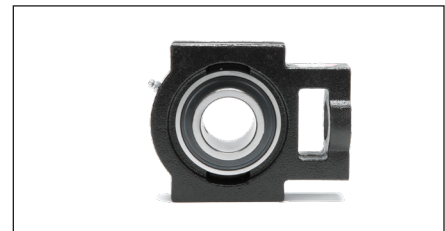


BALL BEARINGS



NORMAL DUTY UC WIDE SLOT TAKE-UP

SHAFT SIZE	DIMENSIONS (INCHES)							INSERT #	HOUSING #	WEIGHT LBS.
	M	N	B	T	E	Bi	n			
1 5/8 1 11/16 1 3/4	4	4 5/8	5 11/16	1 3/8	3 7/16	1.937	.748	UC 209-26 UC 209-27 UC 209-28	T209	5.29
1 7/8 1 15/16 2	4	4 5/8	5 7/8	1 15/32	3 9/16	2.031	.748	UC 210-30 UC 210-31 UC 210-32	T210	5.29
2 2 1/8 2 3/16	5 1/8	5 3/4	6 3/4	1 1/2	4 3/16	2.189	.874	UC 211-32 UC 211-34 UC 211-35	T211	9.04
2 1/4 2 3/8 2 7/16	5 1/8	5 3/4	7 5/8	1 21/32	4 11/16	2.563	1.000	UC 212-36 UC 212-38 UC 212-39	T212	11.02
2 1/2	5 15/16	6 9/16	8 13/16	1 3/4	5 3/8	2.563	1.000	UC 213-40	T213	15.43
2 3/4	5 15/16	6 9/16	8 13/16	1 13/16	5 3/8	2.937	1.189	UC 214-44	T214	15.65
2 15/16 3	5 15/16	6 9/16	9 1/8	1 7/8	5 1/2	3.062	1.311	UC 215-47 UC 215-48	T215	16.50



BALL BEARINGS

For personal service 800.242.4633
CAD drawings at no additional charge
For nomenclature see pages 240 and 241

MOLINE BEARING CO

