

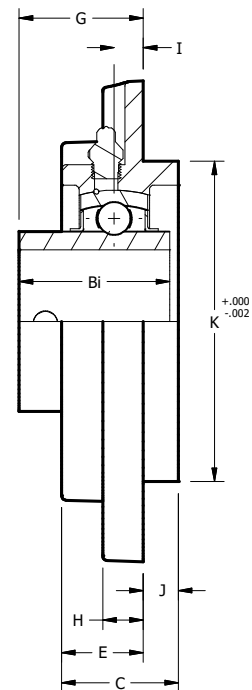
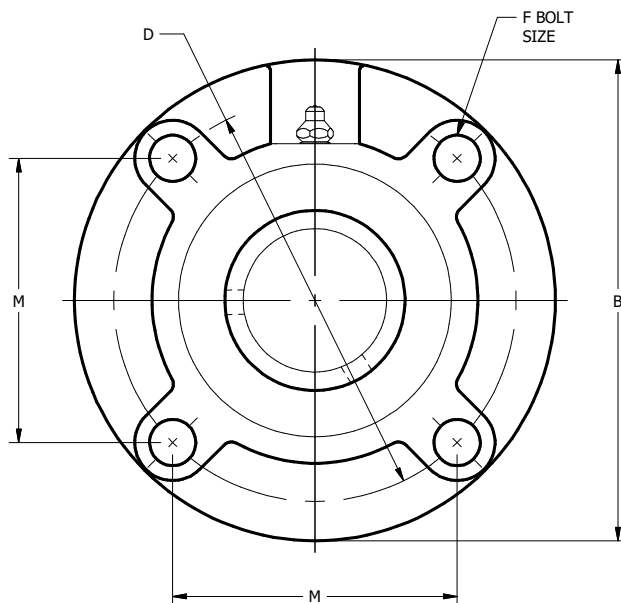
NORMAL DUTY UC PILOTED FLANGE

UCFC 200 Series—Mounted Ball Bearing Set Screw Lock

SHAFT SIZE	MOLINE PART #	UNIT #	DYNAMIC CAPACITY LBS	DIMENSIONS (INCHES)					
				B	D	M	I	C	J
3/4	19431012	UCFC 204-12	2878	3 15/16	3 5/64	2.169	.394	1	.197
7/8	19431014	UCFC 205-14	3147	4 1/2	3 35/64	2.504	.394	1.063	.236
15/16	19431015	UCFC 205-15							
1	19431100	UCFC 205-16							
1 1/8	19431102	UCFC 206-18	4384	4 15/16	3 15/16	2.783	.394	1.220	.315
1 3/16	19431103	UCFC 206-19							
1 1/4	19431104-06	UCFC 206-20							
1 1/4	19431104	UCFC 207-20	5778	5 5/16	4 21/64	3.063	.433	1.338	.315
1 5/16	19431105	UCFC 207-21							
1 3/8	19431106	UCFC 207-22							
1 7/16	19431107	UCFC 207-23							
1 1/2	19431108	UCFC 208-24	6654	5 11/16	4 23/32	3.338	.433	1.417	.394
1 9/16	19431109	UCFC 208-25							

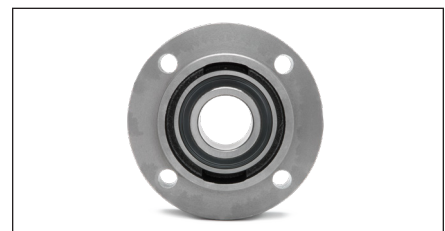
For sale as complete units, inserts and housings.

BALL BEARINGS



NORMAL DUTY UC PILOTED FLANGE

SHAFT SIZE	DIMENSIONS (INCHES)						INSERT #	HOUSING #	WEIGHT LBS.
	H	E	K	G	Bi	F			
3/4	9/32	.807	2.4409	1.114	1.2205	3/8	UC 204-12	FC204	1.68
7/8	9/32	.827	2.7559	1.169	1.3386	3/8	UC 205-14	FC205	2.12
15/16							UC 205-15		
1							UC 205-16		
1 1/8	5/16	.905	3.1496	1.268	1.50	3/8	UC 206-18	FC206	3.02
1 3/16							UC 206-19		
1 1/4							UC 206-20		
1 1/4	11/32	1.023	3.5433	1.433	1.689	7/16	UC 207-20	FC207	3.75
1 5/16							UC 207-21		
1 3/8							UC 207-22		
1 7/16							UC 207-23		
1 1/2	11/32	1.023	3.937	1.622	1.937	7/16	UC 208-24	FC208	4.41
1 9/16							UC 208-25		



BALL BEARINGS

For personal service 800.242.4633
 CAD drawings at no additional charge
 For nomenclature see pages 240 and 241

MOLINE BEARING CO.

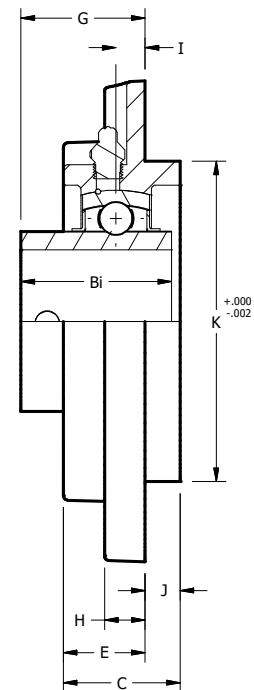
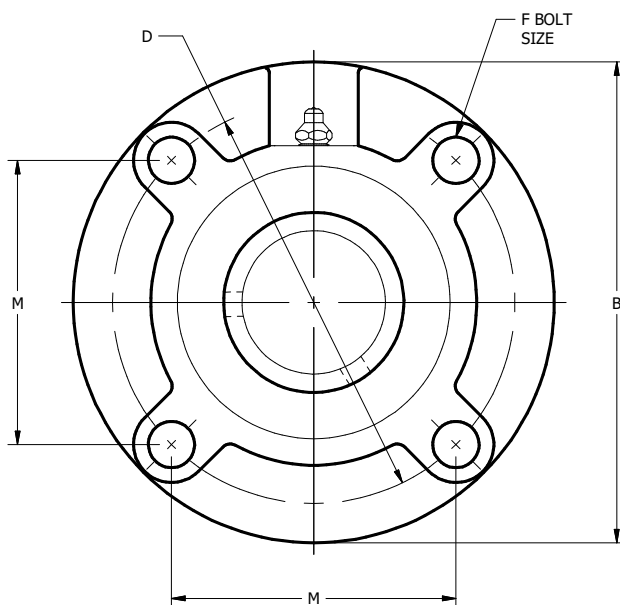


NORMAL DUTY UC PILOTED FLANGE CONTINUED

UCFC 200 Series—Mounted Ball Bearing Set Screw Lock

SHAFT SIZE	MOLINE PART #	UNIT #	DYNAMIC CAPACITY LBS	DIMENSIONS (INCHES)					
				B	D	M	I	C	J
1 5/8	19431110	UCFC 209-26	7160	6 3/8	5 13/64	3.673	.394	1.496	.472
1 11/16	19431111	UCFC 209-27							
1 3/4	19431112	UCFC 209-28							
1 7/8	19431114	UCFC 210-30	7891	6 1/2	5 7/16	3.842	.394	1.575	.472
1 15/16	19431115	UCFC 210-31							
2	19431200-10	UCFC 210-32							
2	19431200	UCFC 211-32	9790	7 5/16	5 29/32	4.177	.512	1.653	.472
2 1/8	19431202	UCFC 211-34							
2 3/16	19431203	UCFC 211-35							
2 1/4	19431204	UCFC 212-36	10746	7 11/16	6 19/64	4.453	.669	1.890	.472
2 3/8	19431206	UCFC 212-38							
2 7/16	19431207	UCFC 212-39							
2 1/2	19431208	UCFC 213-40	12859	8 1/16	6 11/16	4.732	.630	1.929	.551
2 3/4	19431212	UCFC 214-44	13668	8 15/32	6 31/32	4.925	.669	2.126	.551
2 15/16	19431215	UCFC 215-47	14837	8 21/32	7 1/4	5.122	.669	2.165	.630
3	19431300	UCFC 215-48							

For sale as complete units, inserts and housings.



NORMAL DUTY UC PILOTED FLANGE

SHAFT SIZE	DIMENSIONS (INCHES)						INSERT #	HOUSING #	WEIGHT LBS.
	H	E	K	G	Bi	F			
1 5/8 1 11/16 1 3/4	35/64	1.023	4.1339	1.583	1.937	1/2	UC 209-26 UC 209-27 UC 209-28	FC209	5.95
1 7/8 1 15/16 2	35/64	1.102	4.3307	1.677	2.031	1/2	UC 210-30 UC 210-31 UC 210-32	FC210	6.39
2 2 1/8 2 3/16	19/32	1.181	4.9213	1.827	2.189	5/8	UC 211-32 UC 211-34 UC 211-35	FC211	9.26
2 1/4 2 3/8 2 7/16	19/32	1.417	5.315	2.232	2.563	5/8	UC 212-36 UC 212-38 UC 212-39	FC212	10.89
2 1/2	19/32	1.378	5.709	2.193	2.563	5/8	UC 213-40	FC213	12.57
2 3/4	23/32	1.496	5.905	2.417	2.937	5/8	UC 214-44	FC214	14.99
2 15/16 3	23/32	1.535	6.2992	2.461	3.063	5/8	UC 215-47 UC 215-48	FC215	29.76



BALL BEARINGS

For personal service 800.242.4633
CAD drawings at no additional charge
For nomenclature see pages 240 and 241

MOLINE BEARING CO.

