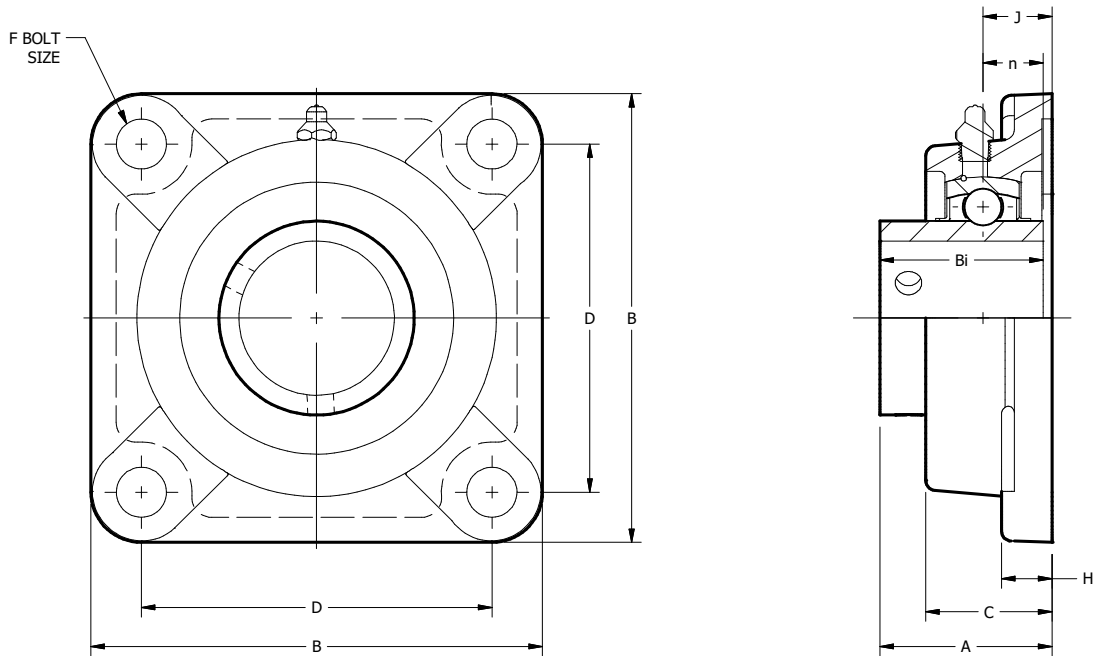


NORMAL DUTY UC 4-BOLT FLANGE

UCF 200 Series—Mounted Ball Bearing Set Screw Lock

SHAFT SIZE	MOLINE PART #	UNIT #	DYNAMIC CAPACITY LBS	DIMENSIONS (INCHES)				
				B	D	J	H	C
1/2	19411008	UCF 201-08	2878	3 5/8	2 1/2	.591	1 5/32	1
5/8	19411010	UCF 202-10						
3/4	19411012	UCF 204-12						
7/8	19411014	UCF 205-14	3147	3 3/4	2 3/4	.630	9/16	1 1/16
1 5/16	19411015	UCF 205-15						
1	19411100	UCF 205-16						
1 1/8	19411102	UCF 206-18	4384	4 1/4	3 1/4	.709	9/16	1 9/32
1 3/16	19411103	UCF 206-19						
1 1/4	19411104-06	UCF 206-20						
1 1/4	19411104	UCF 207-20	5778	4 5/8	3 5/8	.748	5/8	1 11/32
1 5/16	19411105	UCF 207-21						
1 3/8	19411106	UCF 207-22						
1 7/16	19411107	UCF 207-23						
1 1/2	19411108	UCF 208-24	6654	5 1/8	4	.827	5/8	1 13/32
1 9/16	19411109	UCF 208-25						
1 5/8	19411110	UCF 209-26	7160	5 3/8	4 1/8	.866	2 3/32	1 1/2
1 11/16	19411111	UCF 209-27						
1 3/4	19411112	UCF 209-28						

For sale as complete units, inserts and housings.

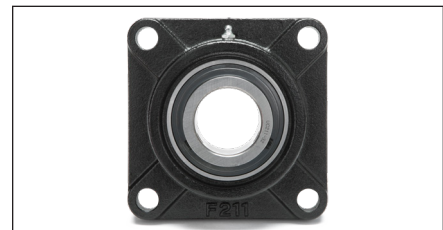


BALL BEARINGS



NORMAL DUTY UC 4-BOLT FLANGE

SHAFT SIZE	DIMENSIONS (INCHES)				INSERT #	HOUSING #	WEIGHT LBS.
	A	Bi	n	F			
1/2 5/8 3/4	1.311	1.22	0.500	3/8	UC 201-08 UC 202-10 UC 204-12	F204	1.35
7/8 15/16 1	1.406	1.339	0.563	3/8	UC 205-14 UC 205-15 UC 205-16	F205	1.76
1 1/8 1 3/16 1 1/4	1.583	1.500	0.626	3/8	UC 206-18 UC 206-19 UC 206-20	F206	2.36
1 1/4 1 5/16 1 3/8 1 7/16	1.748	1.689	0.689	1/2	UC 207-20 UC 207-21 UC 207-22 UC 207-23	F207	3.09
1 1/2 1 9/16	2.016	1.937	0.748	1/2	UC 208-24 UC 208-25	F208	3.97
1 5/8 1 11/16 1 3/4	2.055	1.937	0.748	1/2	UC 209-26 UC 209-27 UC 209-28	F209	4.85



BALL BEARINGS

For personal service 800.242.4633
CAD drawings at no additional charge
For nomenclature see pages 240 and 241

MOLINE BEARING CO

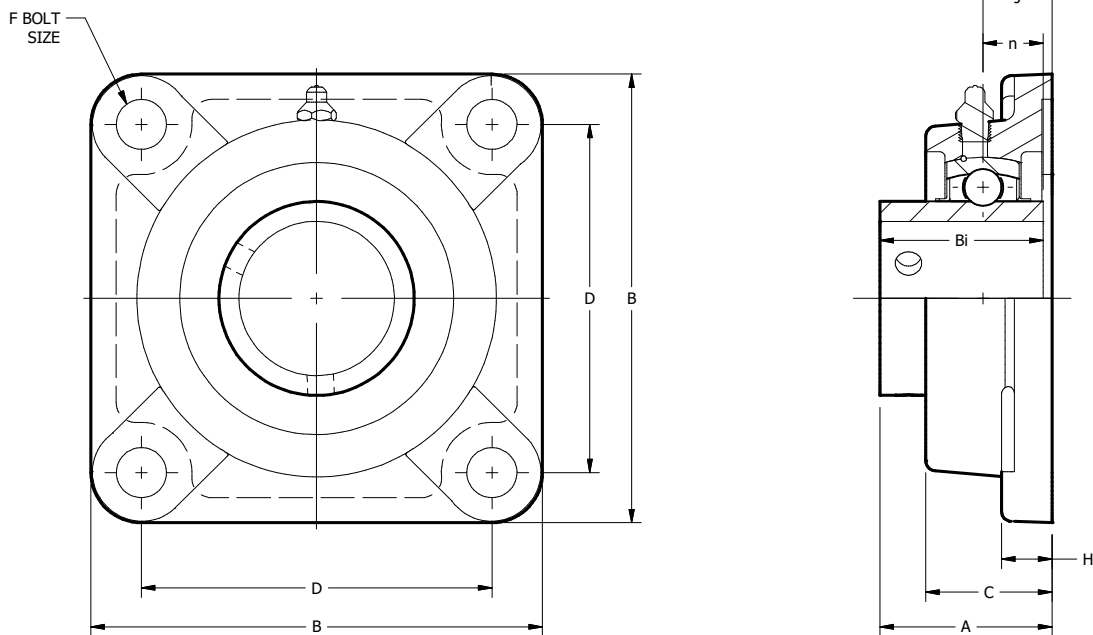


NORMAL DUTY UC 4-BOLT FLANGE CONTINUED

UCF 200 Series—Mounted Ball Bearing Set Screw Lock

SHAFT SIZE	MOLINE PART #	UNIT #	DYNAMIC CAPACITY LBS	DIMENSIONS (INCHES)				
				B	D	J	H	C
1 7/8	19411114	UCF 210-30	7891	5 5/8	4 3/8	.866	5/8	1.574
1 15/16	19411115	UCF 210-31						
2	19411200-10	UCF 210-32						
2	19411200	UCF 211-32	9790	6 3/8	5 1/8	.984	23/32	1.693
2 1/8	19411202	UCF 211-34						
2 3/16	19411203	UCF 211-35						
2 1/4	19411204	UCF 212-36	10746	6 7/8	5 5/8	1.142	23/32	1.890
2 3/8	19411206	UCF 212-38						
2 7/16	19411207	UCF 212-39						
2 1/2	19411208	UCF 213-40	12859	7 3/8	5 7/8	1.181	7/8	1.968
2 3/4	19411212	UCF 214-44	13668	7 3/8	5 7/8	1.220	29/32	2.125
2 15/16	19411215	UCF 215-47	14837	7 7/8	6 1/4	1.339	7/8	2.205
3	19411300	UCF 215-48						
3 7/16	19411307	UCF 218-55	21559	9 1/4	7 3/8	1.575	1 1/32	2.677

For sale as complete units, inserts and housings.



NORMAL DUTY UC 4-BOLT FLANGE

SHAFT SIZE	DIMENSIONS (INCHES)				INSERT #	HOUSING #	WEIGHT LBS.
	A	Bi	n	F			
1 7/8 1 15/16 2	2.150	2.031	0.748	1/2	UC 210-30 UC 210-31 UC 210-32	F210	5.29
2 2 1/8 2 3/16	2.299	2.189	0.874	5/8	UC 211-32 UC 211-34 UC 211-35	F211	7.27
2 1/4 2 3/8 2 7/16	2.705	2.563	1.000	5/8	UC 212-36 UC 212-38 UC 212-39	F212	9.26
2 1/2	2.744	2.563	1.000	5/8	UC 213-40	F213	11.68
2 3/4	2.969	2.937	1.189	5/8	UC 214-44	F214	13.01
2 15/16 3	3.091	3.063	1.311	5/8	UC 215-47 UC 215-48	F215	13.89
3 7/16	3.791	3.78	1.563	3/4	UC 218-55	F218	25.57



BALL BEARINGS

For personal service 800.242.4633
CAD drawings at no additional charge
For nomenclature see pages 240 and 241

MOLINE BEARING CO.

