

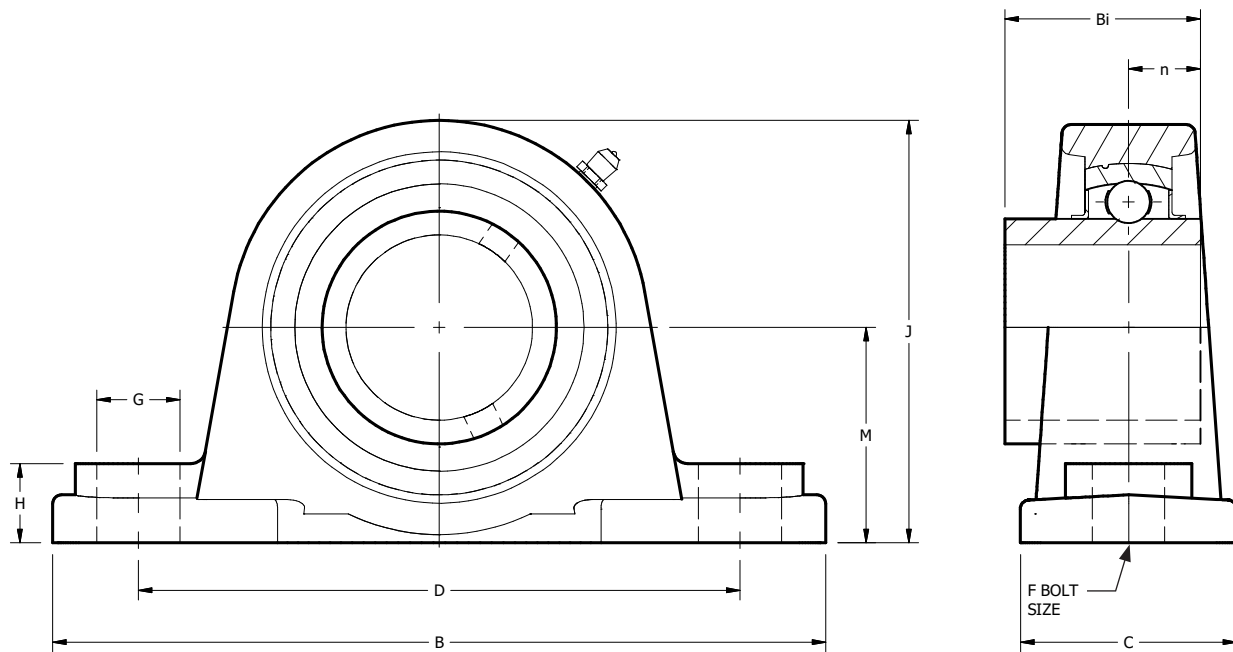
NORMAL DUTY UC 2-BOLT PILLOW BLOCK

UCP 200 Series—Mounted Ball Bearing Set Screw Lock

SHAFT SIZE	MOLINE PART #	UNIT #	DYNAMIC CAPACITY LBS	DIMENSIONS (INCHES)				
				M	B	D	C	G
1/2	19421008	UCP 201-08	2878	1 5/16	5	3 3/4	1 1/2	5/8
5/8	19421010	UCP 202-10						
3/4	19421012	UCP 204-12						
7/8	19421014	UCP 205-14	3147	1 7/16	5 1/2	4 1/8	1 1/2	3/4
15/16	19421015	UCP 205-15						
1	19421100	UCP 205-16						
1 1/8	19421102	UCP 206-18	4384	1 11/16	6 1/4	4 3/4	1 3/4	3/4
1 3/16	19421103	UCP 206-19						
1 1/4	19421104-06	UCP 206-20						
1 1/4	19421104	UCP 207-20	5778	1 7/8	6 9/16	5	1 7/8	3/4
1 5/16	19421105	UCP 207-21						
1 3/8	19421106	UCP 207-22						
1 7/16	19421107	UCP 207-23						
1 1/2	19421108	UCP 208-24	6654	1 15/16	7 1/4	5 7/8	2	13/16
1 9/16	19421109	UCP 208-25						

For sale as complete units, inserts and housings.

BALL BEARINGS



NORMAL DUTY UC 2-BOLT PILLOW BLOCK

SHAFT SIZE	DIMENSIONS (INCHES)					INSERT #	HOUSING #	WEIGHT LBS.
	H	J	Bi	n	F			
1/2 5/8 3/4	9/16	2 19/32	1.22	0.500	3/8	UC 201-08 UC 202-10 UC 204-12	P204	1.43
7/8 15/16 1	5/8	2 3/4	1.339	0.563	3/8	UC 205-14 UC 205-15 UC 205-16	P205	1.59
1 1/8 1 3/16 1 1/4	11/16	3 9/32	1.50	0.626	1/2	UC 206-18 UC 206-19 UC 206-20	P206	2.54
1 1/4 1 5/16 1 3/8 1 7/16	3/4	3 11/16	1.689	0.689	1/2	UC 207-20 UC 207-21 UC 207-22 UC 207-23	P207	3.37
1 1/2 1 9/16	13/16	3 15/16	1.937	0.748	1/2	UC 208-24 UC 208-25	P208	4.14



BALL BEARINGS

For personal service 800.242.4633
CAD drawings at no additional charge
For nomenclature see pages 240 and 241

MOLINE BEARING CO



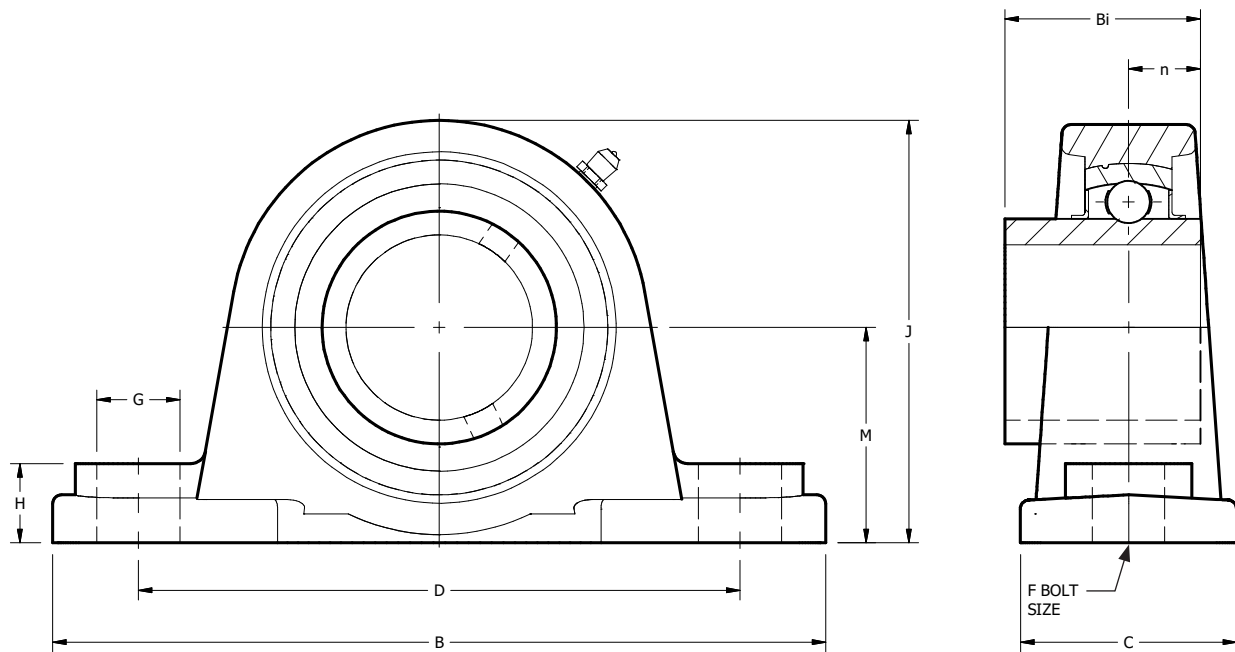
NORMAL DUTY UC 2-BOLT PILLOW BLOCK CONTINUED

UCP 200 Series—Mounted Ball Bearing Set Screw Lock

SHAFT SIZE	MOLINE PART #	UNIT #	DYNAMIC CAPACITY LBS	DIMENSIONS (INCHES)				
				M	B	D	C	G
1 5/8	19421110	UCP 209-26	7160	2 1/8	7 1/2	5 3/4	2 1/8	1 3/16
1 11/16	19421111	UCP 209-27						
1 3/4	19421112	UCP 209-28						
1 7/8	19421114	UCP 210-30	7891	2 1/4	8 1/8	6 1/4	2 1/4	7/8
1 15/16	19421115	UCP 210-31						
2	19421200-10	UCP 210-32						
2	19421200	UCP 211-32	9790	2 1/2	8 5/8	6 7/8	2 3/8	7/8
2 1/8	19421202	UCP 211-34						
2 3/16	19421203	UCP 211-35						
2 1/4	19421204	UCP 212-36	10746	2 3/4	9 1/2	7 11/32	2 1/2	1
2 3/8	19421206	UCP 212-38						
2 7/16	19421207	UCP 212-39						
2 1/2	19421208	UCP 213-40	12859	3	10 7/16	8 1/8	2 11/16	1 1/8
2 3/4	19421212	UCP 214-44	13668	3 1/8	10 1/2	8 1/8	2 53/64	1 1/8
2 15/16	19421215	UCP 215-47	14837	3 1/4	10 13/16	8 1/2	2 15/16	1 1/8
3	19421300	UCP 215-48						
3 7/16	19421307	UCP 218-55	21559	4	12 7/8	10 5/16	3 15/32	1 3/16

For sale as complete units, inserts and housings.

BALL BEARINGS



NORMAL DUTY UC 2-BOLT PILLOW BLOCK

SHAFT SIZE	DIMENSIONS (INCHES)					INSERT #	HOUSING #	WEIGHT LBS.
	H	J	Bi	n	F			
1 5/8 1 11/16 1 3/4	25/32	4 1/4	1.937	0.748	1/2	UC 209-26 UC 209-27 UC 209-28	P209	4.63
1 7/8 1 15/16 2	7/8	4 1/2	2.031	0.748	5/8	UC 210-30 UC 210-31 UC 210-32	P210	5.51
2 2 1/8 2 3/16	7/8	4 31/32	2.189	0.874	5/8	UC 211-32 UC 211-34 UC 211-35	P211	7.28
2 1/4 2 3/8 2 7/16	1	5 7/8	2.563	1.000	5/8	UC 212-36 UC 212-38 UC 212-39	P212	12.13
2 1/2	1 1/16	5 29/32	2.566	1.000	3/4	UC 213-40	P213	12.35
2 3/4	1 1/8	6 5/32	2.937	1.189	3/4	UC 214-44	P214	14.55
2 15/16 3	1 3/32	6 13/32	3.063	1.311	3/4	UC 215-47 UC 215-48	P215	16.09
3 1/16	1 1/4	7 7/8	3.780	1.563	7/8	UC 218-55	P218	32.40



BALL BEARINGS

For personal service 800.242.4633
CAD drawings at no additional charge
For nomenclature see pages 240 and 241

MOLINE BEARING CO

