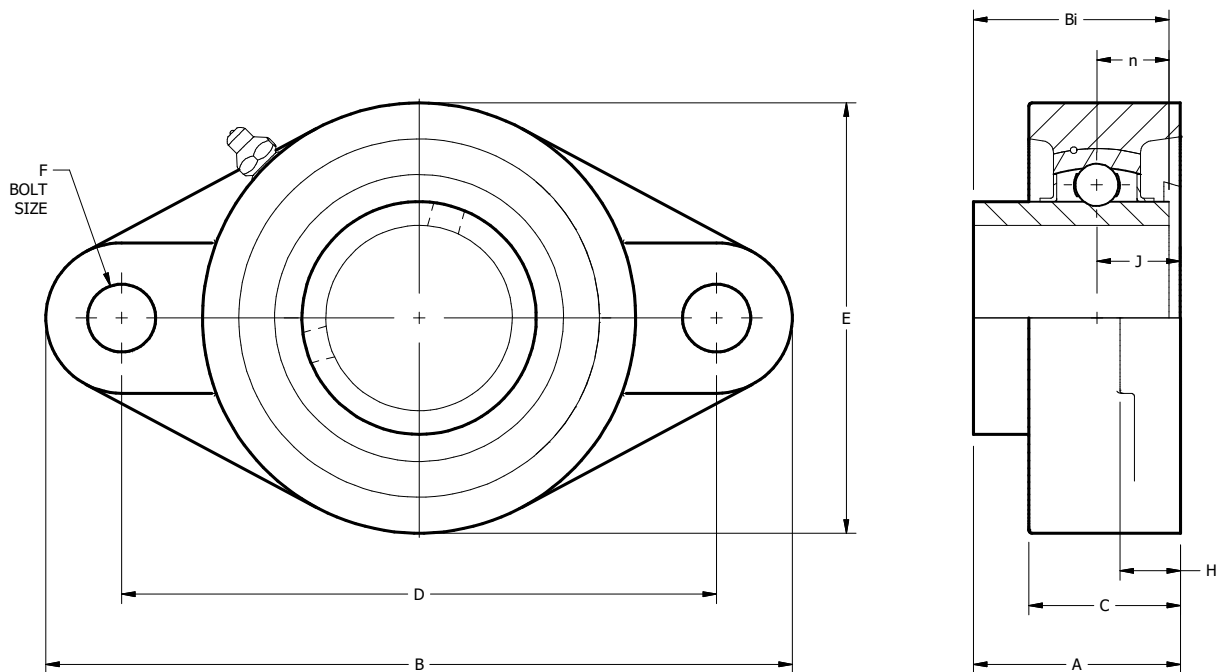


NORMAL DUTY UC 2-BOLT FLANGE

UCFL 200 Series—Mounted Ball Bearing Set Screw Lock

SHAFT SIZE	MOLINE PART #	UNIT #	DYNAMIC CAPACITY LBS	DIMENSIONS (INCHES)					
				B	D	J	H	C	E
1/2	19401008	UCFL 201-08	2878	4 7/8	3 35/64	.591	.433	1	2 3/8
5/8	19401010	UCFL 202-10							
3/4	19401012	UCFL 204-12							
7/8	19401014	UCFL 205-14	3147	5 1/8	3 57/64	.630	.512	1 1/6	2 11/16
15/16	19401015	UCFL 205-15							
1	19401100	UCFL 205-16							
1 1/8	19401102	UCFL 206-18	4384	5 13/16	4 39/64	.709	.512	1 7/32	3 5/32
1 3/16	19401103	UCFL 206-19							
1 1/4	19401104-06	UCFL 206-20							
1 1/4	19401104	UCFL 207-20	5778	6 5/16	5 1/8	.748	.551	1 11/32	3 11/32
1 5/16	19401105	UCFL 207-21							
1 3/8	19401106	UCFL 207-22							
1 7/16	19401107	UCFL 207-23							
1 1/2	19401108	UCFL 208-24	6654	6 7/8	5 43/64	.827	.551	1 13/32	3 15/16
1 9/16	19401109	UCFL 208-25							
1 5/8	19401110	UCFL 209-26	7160	7 3/8	5 53/64	.866	.630	1 1/2	4 1/4
1 11/16	19401111	UCFL 209-27							
1 3/4	19401112	UCFL 209-28							

For sale as complete units, inserts and housings.



NORMAL DUTY UC 2-BOLT FLANGE

SHAFT SIZE	DIMENSIONS (INCHES)				INSERT #	HOUSING #	WEIGHT LBS.
	A	Bi	n	F			
1/2 5/8 3/4	1.311	1.220	0.500	3/8	UC 201-08 UC 202-10 UC 204-12	FL204	1.06
7/8 15/16 1	1.406	1.339	0.563	3/8	UC 205-14 UC 205-15 UC 205-16	FL205	1.43
1 1/8 1 3/16 1 1/4	1.583	1.500	0.626	3/8	UC 206-18 UC 206-19 UC 206-20	FL206	2.16
1 1/4 1 5/16 1 3/8 1 7/16	1.748	1.689	0.689	1/2	UC 207-20 UC 207-21 UC 207-22 UC 207-23	FL207	2.76
1 1/2 1 9/16	2.016	1.937	0.748	1/2	UC 208-24 UC 208-25	FL208	3.64
1 5/8 1 11/16 1 3/4	2.055	1.937	0.748	5/8	UC 209-26 UC 209-27 UC 209-28	FL209	4.30



BALL BEARINGS

For personal service 800.242.4633
CAD drawings at no additional charge
For nomenclature see pages 240 and 241

MOLINE BEARING CO.



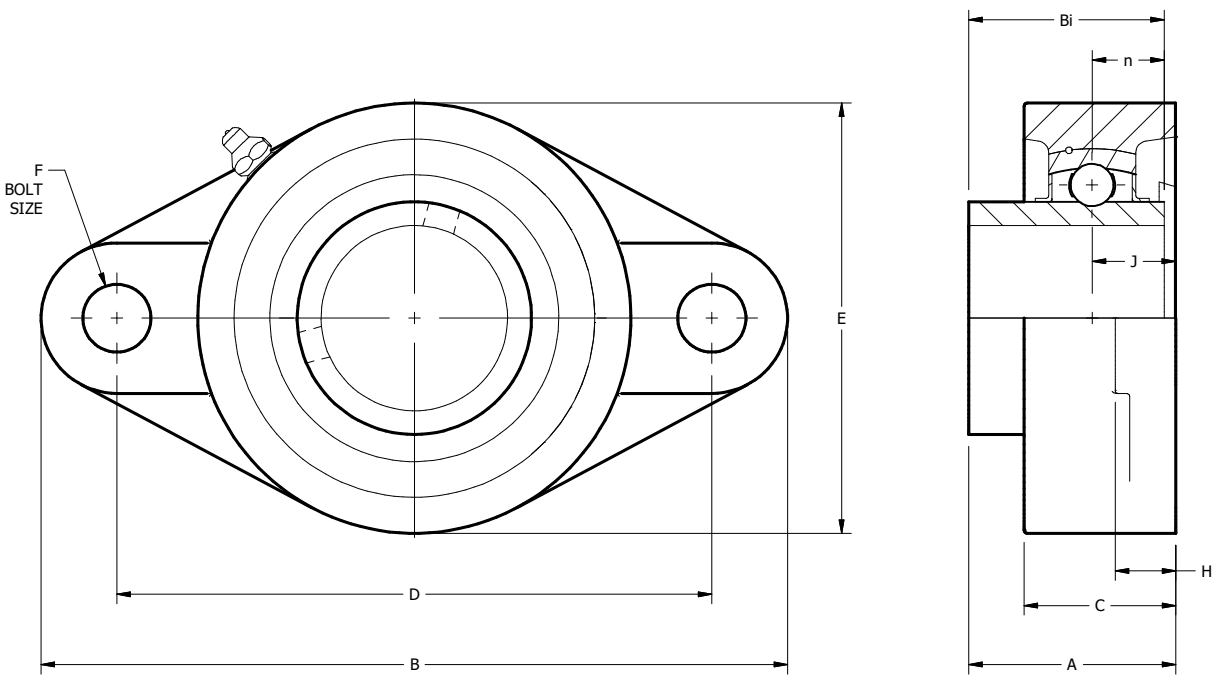
NORMAL DUTY UC 2-BOLT FLANGE CONTINUED

UCFL 200 Series—Mounted Ball Bearing Set Screw Lock

SHAFT SIZE	MOLINE PART #	UNIT #	DYNAMIC CAPACITY LBS	DIMENSIONS (INCHES)					
				B	D	J	H	C	E
1 7/8	19401114	UCFL 210-30	7891	7 3/4	6 3/16	.866	.630	1.575	4 1/2
1 15/16	19401115	UCFL 210-31							
2	19401200-10	UCFL 210-32							
2	19401200	UCFL 211-32	9790	8 13/16	7 1/4	.984	.709	1.693	5 1/8
2 1/8	19401202	UCFL 211-34							
2 3/16	19401203	UCFL 211-35							
2 1/4	19401204	UCFL 212-36	10746	9 13/16	7 61/64	1.142	.709	1.890	5 1/2
2 3/8	19401206	UCFL 212-38							
2 7/16	19401207	UCFL 212-39							
2 1/2	19401208	UCFL 213-40	12859	10 13/16	8 17/64	1.181	.787	1.968	6 1/8
2 3/4	19401212	UCFL 214-44	13668	10 7/16	8 1/2	1.22	.787	2.126	6 5/16
2 15/16	19401215	UCFL 215-47	14837	10 13/16	8 55/64	1.339	.866	2.165	6 1/2
3	19401300	UCFL 215-48							
3 7/16	19401307	UCFL 218-55	21559	12 5/8	10 7/16	1.575	.906	2.677	8 1/16

For sale as complete units, inserts and housings.

BALL BEARINGS



NORMAL DUTY UC 2-BOLT FLANGE

SHAFT SIZE	DIMENSIONS (INCHES)				INSERT #	HOUSING #	WEIGHT LBS.
	A	Bi	n	F			
1 7/8 1 15/16 2	2.150	2.031	0.748	5/8	UC 210-30 UC 210-31 UC 210-32	FL210	4.96
2 2 1/8 2 3/16	2.299	2.189	0.874	5/8	UC 211-32 UC 211-34 UC 211-35	FL211	7.27
2 1/4 2 3/8 2 7/16	2.705	2.563	1.00	5/8	UC 212-36 UC 212-38 UC 212-39	FL212	9.37
2 1/2	2.744	2.563	1.00	3/4	UC 213-40	FL213	11.68
2 3/4	2.969	2.937	1.189	3/4	UC 214-44	FL214	13.23
2 15/16 3	3.091	3.063	1.311	3/4	UC 215-47 UC 215-48	FL215	14.33
3 7/16	3.803	3.791	1.563	7/8	UC 218-55	FL218	27.33



BALL BEARINGS

For personal service 800.242.4633
CAD drawings at no additional charge
For nomenclature see pages 240 and 241

MOLINE BEARING CO.

