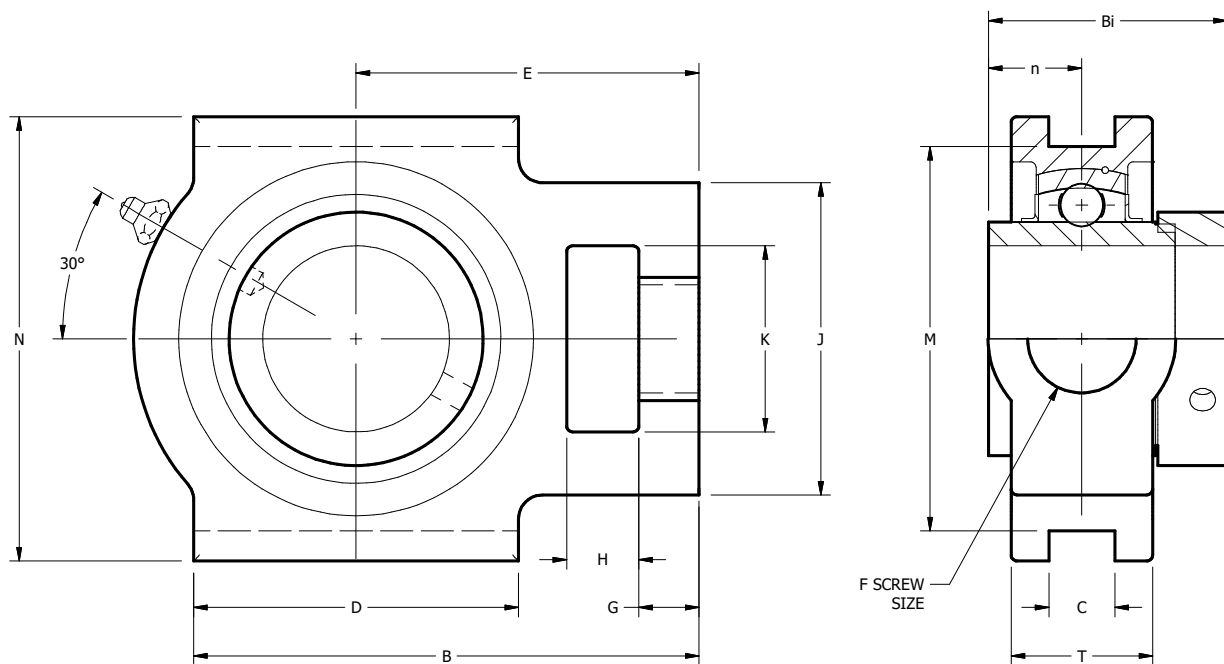


NORMAL DUTY HC WIDE SLOT TAKE-UP

HCT 200 Series—Mounted Ball Bearing Eccentric Set Screw Locking Collar

SHAFT SIZE	MOLINE PART #	UNIT #	DYNAMIC CAPACITY LBS	DIMENSIONS (INCHES)						
				H	G	J	K	F	D	C
3/4	19551012	HCT 204-12	2878	5/8	3/8	2	1 1/4	3/4	2	15/32
7/8	19551014	HCT 205-14	3147	5/8	3/8	2	1 1/4	7/8	2	15/32
15/16	19551015	HCT 205-15								
1	19551100	HCT 205-16								
1 1/8	19551102	HCT 206-18	4384	5/8	3/8	2 3/16	1 7/16	7/8	2 1/4	15/32
1 3/16	19551103	HCT 206-19								
1 1/4	19551104-06	HCT 206-20								
1 1/4	19551104	HCT 207-20	5778	5/8	1/2	2 1/2	1 7/16	7/8	2 1/2	15/32
1 5/16	19551105	HCT 207-21								
1 3/8	19551106	HCT 207-22								
1 7/16	19551107	HCT 207-23								
1 1/2	19551108	HCT 208-24	6654	3/4	5/8	3 1/4	1 15/16	1 1/8	3 1/4	5/8
1 9/16	19551109	HCT 208-25								
1 5/8	19551110	HCT 209-26	7160	3/4	5/8	3 1/4	1 15/16	1 1/8	3 1/4	5/8
1 11/16	19551111	HCT 209-27								
1 3/4	19551112	HCT 209-28								

For sale as complete units, inserts and housings.

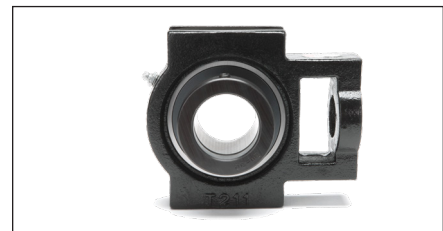
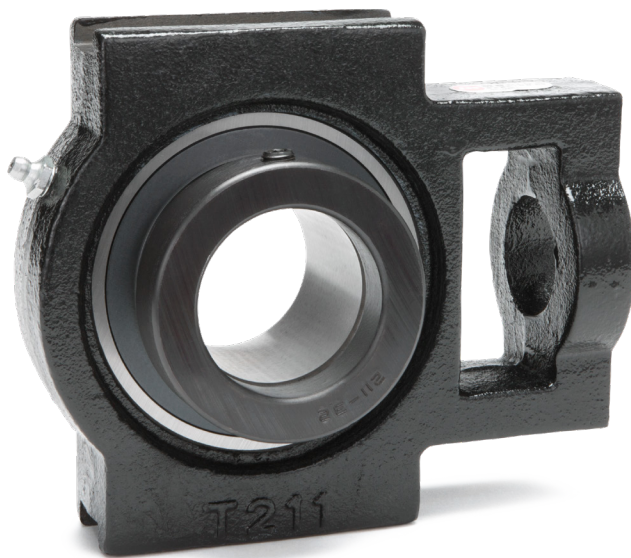


BALL BEARINGS



NORMAL DUTY HC WIDE SLOT TAKE-UP

SHAFT SIZE	DIMENSIONS (INCHES)							INSERT #	HOUSING #	WEIGHT LBS.
	M	N	B	T	E	Bi	n			
3/4	3	3 1/2	3 11/16	1 3/16	2 3/8	1.712	.669	HC 204-12	T204	1.85
7/8 15/16 1	3	3 1/2	3 13/16	1 5/16	2 7/16	1.744	.685	HC 205-14 HC 205-15 HC 205-16	T205	2.03
1 1/8 1 3/16 1 1/4	3 1/2	4	4 7/16	1 3/32	2 3/4	1.901	.716	HC 206-18 HC 206-19 HC 206-20	T206	3.06
1 1/4 1 5/16 1 3/8 1 7/16	3 1/2	4	5 1/16	1 3/16	3 1/16	2.012	.740	HC 207-20 HC 207-21 HC 207-22 HC 207-23	T207	4.03
1 1/2 1 9/16	4	4 1/2	5 11/16	1 5/16	3 1/2	2.216	.842	HC 208-24 HC 208-25	T208	5.82
1 5/8 1 11/16 1 3/4	4	4 5/8	5 1/4	1 3/8	3 7/16	2.216	.842	HC 209-26 HC 209-27 HC 209-28	T209	5.89



BALL BEARINGS

For personal service 800.242.4633
 CAD drawings at no additional charge
 For nomenclature see pages 240 and 241

MOLINE BEARING CO



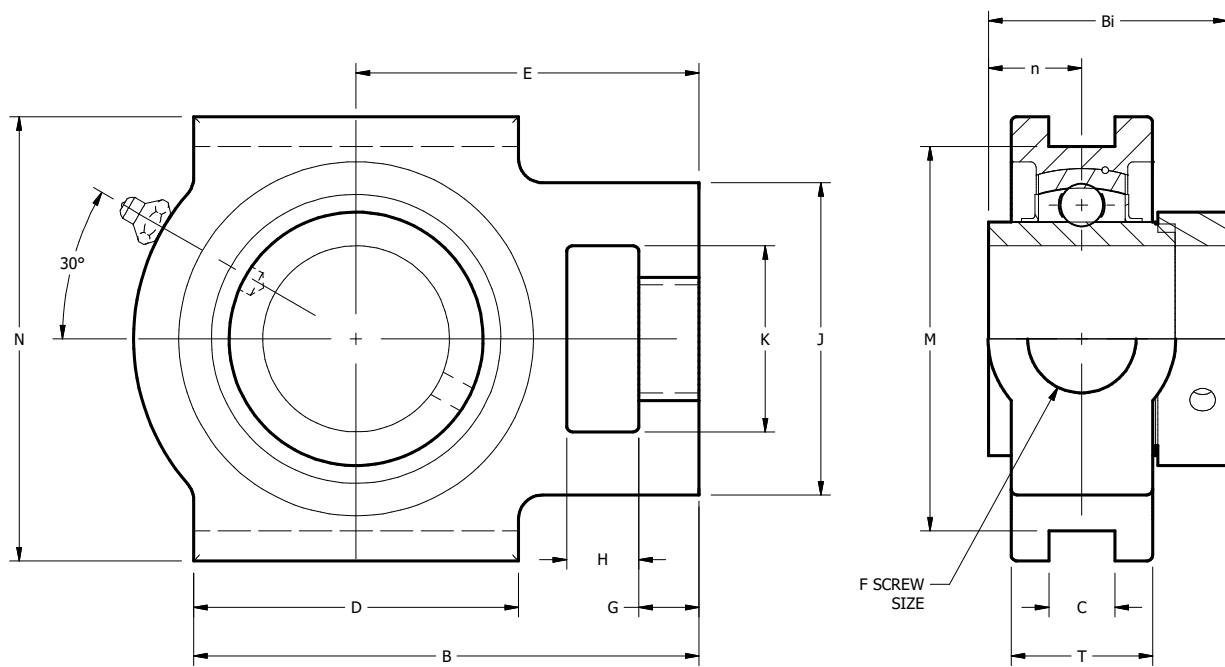
NORMAL DUTY HC WIDE SLOT TAKE-UP CONTINUED

HCT 200 Series—Mounted Ball Bearing Eccentric Set Screw Locking Collar

SHAFT SIZE	MOLINE PART #	UNIT #	DYNAMIC CAPACITY LBS	DIMENSIONS (INCHES)						
				H	G	J	K	F	D	C
1 7/8	19551114	HCT 210-30	7891	3/4	5/8	3 1/4	1 15/16	1 1/8	3 3/8	1 1/16
1 15/16	19551115	HCT 210-31								
2	19551200-10	HCT 210-32								
2	19551200	HCT 211-32	9790	1	3/4	4	2 1/2	1 3/8	3 3/4	1 1/32
2 1/8	19551202	HCT 211-34								
2 3/16	19551203	HCT 211-35								
2 1/4	19551204	HCT 212-36	10746	1 1/4	3/4	4	2 1/2	1 3/8	4	1 1/32
2 3/8	19551206	HCT 212-38								
2 7/16	19551207	HCT 212-39								
2 1/2	19551208	HCT 213-40	12859	1 1/4	13/16	4 3/8	2 3/4	1 1/2	4 3/4	1 1/32
2 3/4	19551212	HCT 214-44	13668	1 5/16	13/16	4 3/8	2 3/4	1 1/2	4 3/4	1 1/32
2 15/16	19551215	HCT 215-47	14837	1 1/4	13/16	4 3/8	2 3/4	1 1/2	4 3/4	1 1/32
3	19551300	HCT 215-48								

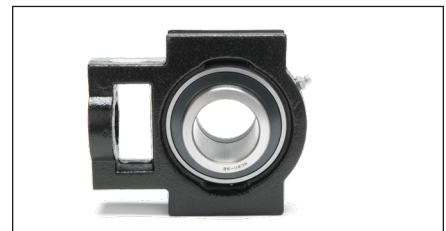
For sale as complete units, inserts and housings.

BALL BEARINGS



NORMAL DUTY HC WIDE SLOT TAKE-UP

SHAFT SIZE	DIMENSIONS (INCHES)							INSERT #	HOUSING #	WEIGHT LBS.
	M	N	B	T	E	Bi	n			
1 7/8 1 15/16 2	4	4 5/8	5 7/8	1 15/32	3 9/16	2.468	.968	HC 210-30 HC 210-31 HC 210-32	T210	6.19
2 2 1/8 2 3/16	5 1/8	5 3/4	6 3/4	1 1/2	4 3/16	2.807	1.090	HC 211-32 HC 211-34 HC 211-35	T211	9.41
2 1/4 2 3/8 2 7/16	5 1/8	5 3/4	7 5/8	1 21/32	4 11/16	3.059	1.216	HC 212-36 HC 212-38 HC 212-39	T212	11.60
2 1/2	5 15/16	6 9/16	8 13/16	1 3/4	5 3/8	3.374	1.342	HC 213-40	T213	16.64
2 3/4	5 15/16	6 9/16	8 13/16	1 13/16	5 3/8	3.374	1.342	HC 214-44	T214	16.80
2 15/16 3	5 15/16	6 9/16	9 1/8	1 7/8	5 1/2	3.626	1.468	HC 215-47 HC 215-48	T215	17.92



BALL BEARINGS

For personal service 800.242.4633
CAD drawings at no additional charge
For nomenclature see pages 240 and 241

MOLINE BEARING CO

