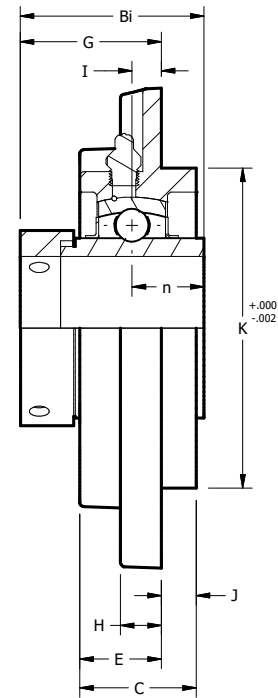
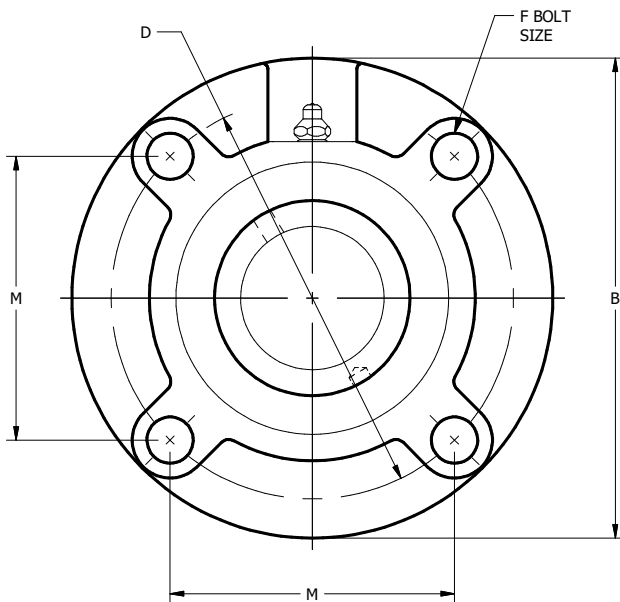


NORMAL DUTY HC PILOTED FLANGE

HCFC 200 Series—Mounted Ball Bearing Eccentric Set Screw Locking Collar

SHAFT SIZE	MOLINE PART #	UNIT #	DYNAMIC CAPACITY LBS	DIMENSIONS (INCHES)						
				B	D	M	E	C	J	H
3/4	19531012	HCFC 204-12	2878	3 15/16	3 35/64	2.169	.394	1	.197	.236
7/8	19531014	HCFC 205-14	3147	4 1/2	3 35/64	2.504	.394	1.063	.236	.275
15/16	19531015	HCFC 205-15								
1	19531100	HCFC 205-16								
1 1/8	19531102	HCFC 206-18	4384	4 15/16	3 15/16	2.783	.394	1.220	.315	.315
1 3/16	19531103	HCFC 206-19								
1 1/4	19531104-06	HCFC 206-20								
1 1/4	19531104	HCFC 207-20	5778	5 5/16	4 22/64	3.063	.433	1.338	.315	.354
1 5/16	19531105	HCFC 207-21								
1 3/8	19531106	HCFC 207-22								
1 7/16	19531107	HCFC 207-23								
1 1/2	19531108	HCFC 208-24	6654	5 11/16	4 23/32	3.338	.433	1.417	.394	.354
1 9/16	19531109	HCFC 208-25								
1 5/8	19531110	HCFC 209-26	7160	6 3/8	5 13/64	3.673	.394	1.496	.472	.294
1 11/16	19531111	HCFC 209-27								
1 3/4	19531112	HCFC 209-28								

For sale as complete units, inserts and housings.



NORMAL DUTY HC PILOTED FLANGE

SHAFT SIZE	DIMENSIONS (INCHES)						INSERT #	HOUSING #	WEIGHT LBS.
	I	K	G	Bi	n	F			
3/4	.807	2.4409	1.437	1.712	.6693	3/8	HC 204-12	FC204	1.68
7/8	.827	2.7559	1.453	1.744	.6850	3/8	HC 205-14	FC205	2.12
15/16							HC 205-15		
1							HC 205-16		
1 1/8	.905	3.1496	1.580	1.901	.7165	3/8	HC 206-18	FC206	3.02
1 3/16							HC 206-19		
1 1/4							HC 206-20		
1 1/4	1.023	3.5433	1.705	2.012	.7402	7/16	HC 207-20	FC207	3.75
1 5/16							HC 207-21		
1 3/8							HC 207-22		
1 7/16							HC 207-23		
1 1/2	1.023	3.9370	1.807	2.216	.8425	7/16	HC 208-24	FC208	4.41
1 9/16							HC 208-25		
1 5/8	1.023	4.1339	1.768	2.216	.8425	1/2	HC 209-26	FC209	5.95
1 11/16							HC 209-27		
1 3/4							HC 209-28		



BALL BEARINGS

For personal service 800.242.4633
 CAD drawings at no additional charge
 For nomenclature see pages 240 and 241

MOLINE BEARING CO.



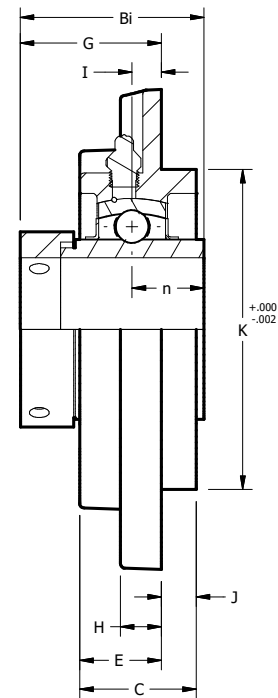
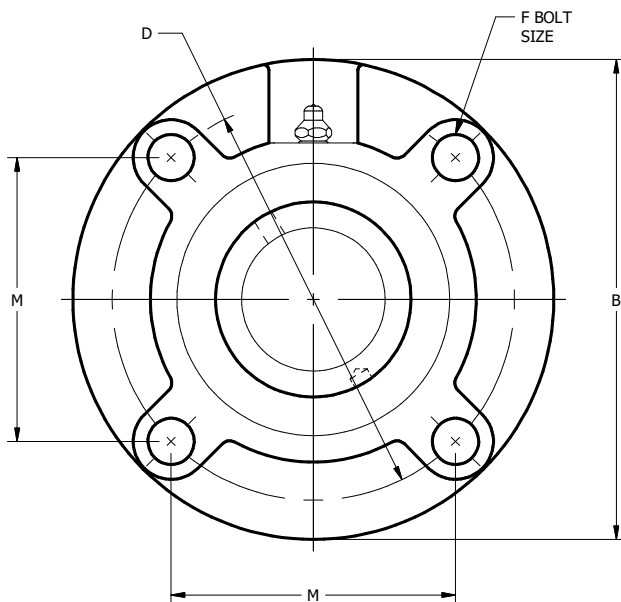
NORMAL DUTY HC PILOTED FLANGE CONTINUED

HCFC 200 Series—Mounted Ball Bearing Eccentric Set Screw Locking Collar

SHAFT SIZE	MOLINE PART #	UNIT #	DYNAMIC CAPACITY LBS	DIMENSIONS (INCHES)						
				B	D	M	E	C	J	H
1 7/8	19531114	HCFC 210-30	7891	6 1/2	5 7/16	3.842	.394	1.575	.472	.551
1 15/16	19531115	HCFC 210-31								
2	19531200-10	HCFC 210-32								
2	19531200	HCFC 211-32	9790	7 5/16	5 29/32	4.177	.512	1.653	.472	.512
2 1/8	19531202	HCFC 211-34								
2 3/16	19531203	HCFC 211-35								
2 1/4	19531204	HCFC 212-36	10746	7 11/16	6 19/64	4.453	.669	1.890	.472	.591
2 3/8	19531206	HCFC 212-38								
2 7/16	19531207	HCFC 212-39								
2 1/2	19531208	HCFC 213-40	12859	8 1/16	6 11/16	4.732	.630	1.929	.551	.591
2 3/4	19531212	HCFC 214-44	13668	8 15/32	6 31/32	4.925	.669	2.126	.551	.630
2 15/16	19531215	HCFC 215-47	14837	8 21/32	7 1/4	5.122	.669	2.165	.630	.669
3	19531300	HCFC 215-48								

For sale as complete units, inserts and housings.

BALL BEARINGS



NORMAL DUTY HC PILOTED FLANGE

SHAFT SIZE	DIMENSIONS (INCHES)						INSERT #	HOUSING #	WEIGHT LBS.
	I	K	G	Bi	n	F			
1 7/8 1 15/16 2	1.102	4.3307	1.894	2.468	.9685	1/2	HC 210-30 HC 210-31 HC 210-32	FC210	6.39
2 2 1/8 2 3/16	1.181	4.9213	2.228	2.811	1.0906	5/8	HC 211-32 HC 211-34 HC 211-35	FC211	9.26
2 1/4 2 3/8 2 7/16	1.417	5.315	2.512	3.063	1.2165	5/8	HC 212-36 HC 212-38 HC 212-39	FC212	10.89
2 1/2	1.378	5.709	2.661	3.374	1.3425	5/8	HC 213-40	FC213	12.57
2 3/4	1.496	5.905	2.701	3.374	1.342	5/8	HC 214-44	FC214	14.99
2 15/16 3	1.535	6.2992	2.866	3.626	1.4685	5/8	HC 215-47 HC 215-48	FC215	29.76



BALL BEARINGS

For personal service 800.242.4633
CAD drawings at no additional charge
For nomenclature see pages 240 and 241

MOLINE BEARING CO.

