

# NORMAL DUTY HC 200 SERIES INSERT

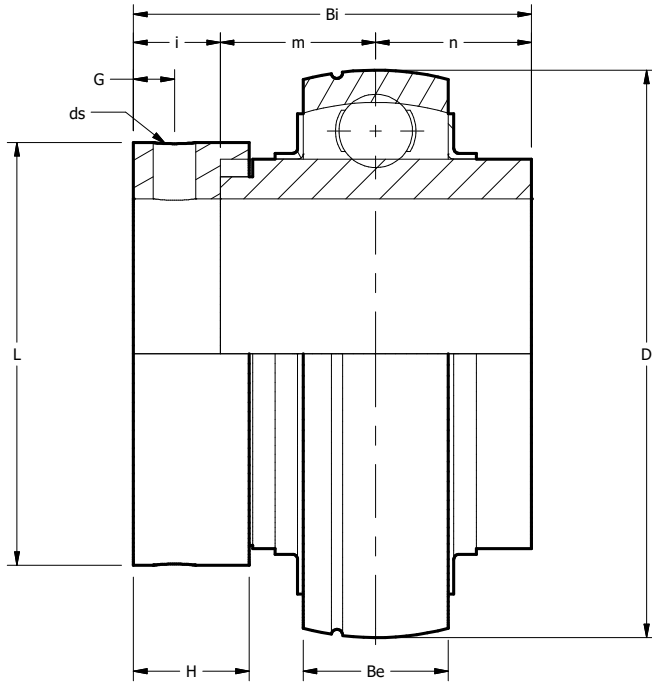
## Mounted Ball Bearing Eccentric Set Screw Locking Collar

SHAFT SIZE	MOLINE #	UNIT #	DIMENSIONS (INCHES)										WEIGHT LBS.
			D	Bi	Be	n	m	i	L	H	G	ds	
3/4	15500012	HC 204-12	1.8504	1.712	.669	.669	.669	.374	1.311	.531	.189	1/4-28	.45
7/8	15500014	HC 205-14	2.0472	1.744	.669	.685	.685	.374	1.500	.531	.189	1/4-28	.60
15/16	15500015	HC 205-15											.60
1	15500100	HC 205-16											.55
1 1/8	15500102	HC 206-18	2.4409	1.901	.748	.716	.716	.468	1.752	.626	.236	5/16-24	.90
1 3/16	15500103	HC 206-19											.85
1 1/4	15500104-06	HC 206-20											.80
1 1/4	15500104	HC 207-20	2.8346	2.011	.787	.740	.740	.531	2.189	.689	.267	5/16-24	1.45
1 5/16	15500105	HC 207-21											1.40
1 3/8	15500106	HC 207-22											1.30
1 7/16	15500107	HC 207-23											1.25
1 1/2	15500108	HC 208-24	3.1496	2.216	.826	.842	.842	.531	2.374	.720	.267	5/16-24	1.80
1 9/16	15500109	HC 208-25											1.65
1 5/8	15500110	HC 209-26	3.3465	2.216	.866	.842	.842	.531	2.752	.720	.255	5/16-24	2.00
1 11/16	15500111	HC 209-27											1.90
1 3/4	15500112	HC 209-28											1.80
1 7/8	15500114	HC 210-30	3.5433	2.468	.905	.968	.968	.531	2.752	.720	.255	5/16-24	2.30
1 15/16	15500115	HC 210-31											2.20
2	15500200-10	HC 210-32											2.05
2	15500200	HC 211-32	3.9370	2.811	.944	1.090	1.090	.629	3.000	.818	.315	3/8-24	3.40
2 1/8	15500202	HC 211-34											3.05
2 3/16	15500203	HC 211-35											2.85
2 1/4	15500204	HC 212-36	4.3307	3.063	1.023	1.216	1.216	.629	3.315	.874	.323	3/8-24	4.20
2 3/8	15500206	HC 212-38											3.85
2 7/16	15500207	HC 212-39											3.60
2 1/2	15500208	HC 213-40	4.7244	3.374	1.063	1.342	1.342	.689	3.385	.925	.315	3/8-24	4.95
2 3/4	15500212	HC 214-44	4.9210	3.374	1.181	1.342	1.468	.689	3.811	.925	.354	3/8-24	5.35
2 15/16	15500215	HC 215-47	5.1181	3.626	1.181	1.468	1.468	.689	4.015	.925	.354	3/8-24	6.30
3	15500300	HC 215-48											5.75

BALL BEARINGS



# NORMAL DUTY HC 200 SERIES INSERT



BALL BEARINGS

For personal service 800.242.4633  
CAD drawings at no additional charge  
For nomenclature see pages 240 and 241

**MOLINE BEARING CO**

