

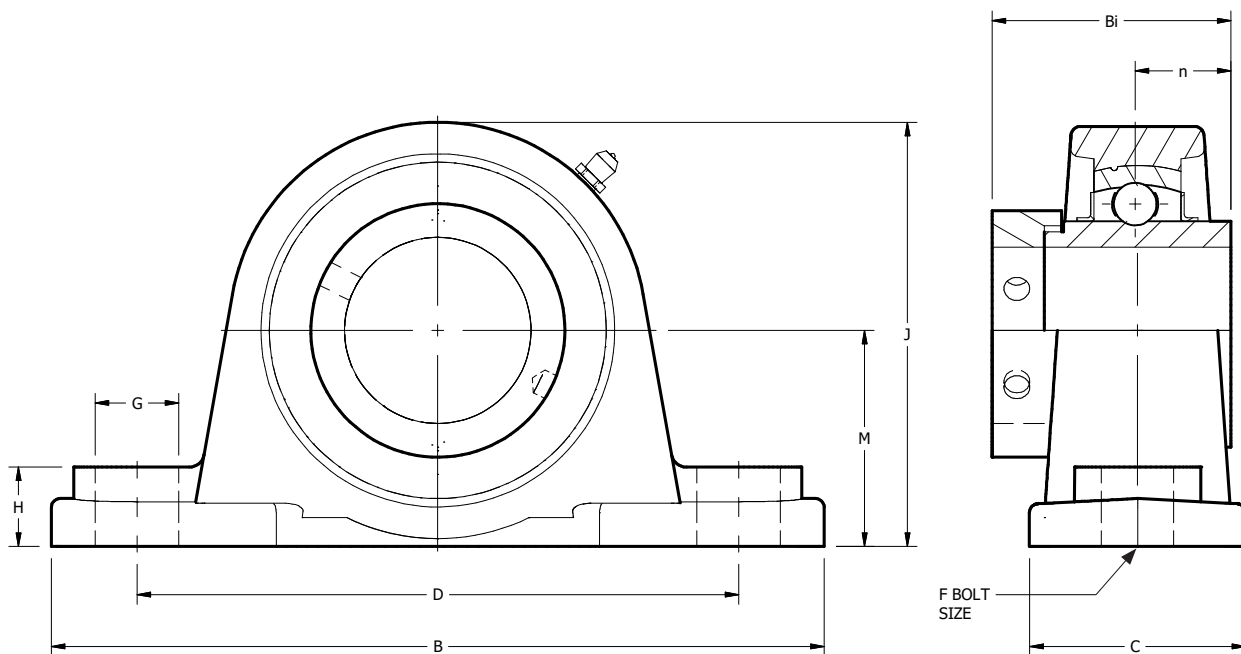
# NORMAL DUTY HC 2-BOLT PILLOW BLOCK

## HCP 200 Series—Mounted Ball Bearing Eccentric Set Screw Locking Collar

SHAFT SIZE	MOLINE PART #	UNIT #	DYNAMIC CAPACITY LBS	DIMENSIONS (INCHES)				
				M	B	D	C	G
3/4	19521012	HCP 204-12	2878	1 5/16	5	3 3/4	1 1/2	5/8
7/8	19521014	HCP 205-14	3147	1 7/16	5 1/2	4 1/8	1 1/2	3/4
1 5/16	19521015	HCP 205-15						
1	19521100	HCP 205-16						
1 1/8	19521102	HCP 206-18	4384	1 11/16	6 1/4	4 3/4	1 3/4	3/4
1 3/16	19521103	HCP 206-19						
1 1/4	19521104-06	HCP 206-20						
1 1/4	19521104	HCP 207-20	5778	1 7/8	6 9/16	5	1 7/8	3/4
1 5/16	19521105	HCP 207-21						
1 3/8	19521106	HCP 207-22						
1 7/16	19521107	HCP 207-23						
1 1/2	19521108	HCP 208-24	6654	1 15/16	7 1/4	5 7/16	2	1 3/16
1 9/16	19521109	HCP 208-25						
1 5/8	19521110	HCP 209-26	7160	2 1/8	7 1/2	5 3/4	2 1/8	1 3/16
1 11/16	19521111	HCP 209-27						
1 3/4	19521112	HCP 209-28						

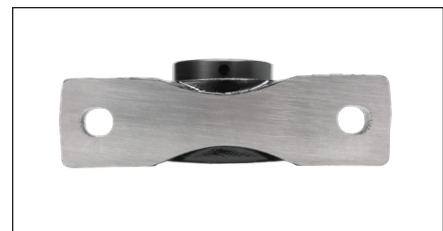
For sale as complete units, inserts and housings.

BALL BEARINGS



# NORMAL DUTY HC 2-BOLT PILLOW BLOCK

SHAFT SIZE	DIMENSIONS (INCHES)					INSERT #	HOUSING #	WEIGHT LBS.
	H	J	Bi	n	F			
3/4	9/16	2 19/32	1.713	0.669	3/8	HC 204-12	P204	1.59
7/8 15/16 1	5/8	2 3/4	1.744	0.685	3/8	HC 205-14 HC 205-15 HC 205-16	P205	1.76
1 1/8 1 3/16 1 1/4	11/16	3 3/2	1.901	0.626	1/2	HC 206-18 HC 206-19 HC 206-20	P206	2.98
1 1/4 1 5/16 1 3/8 1 7/16	3/4	3 11/16	2.012	0.740	1/2	HC 207-20 HC 207-21 HC 207-22 HC 207-23	P207	3.75
1 1/2 1 9/16	13/16	3 15/16	2.216	0.842	1/2	HC 208-24 HC 208-25	P208	4.41
1 5/8 1 11/16 1 3/4	25/32	4 1/4	2.216	0.842	1/2	HC 209-26 HC 209-27 HC 209-28	P209	5.34



BALL BEARINGS

For personal service 800.242.4633  
 CAD drawings at no additional charge  
 For nomenclature see pages 240 and 241

**MOLINE BEARING CO**



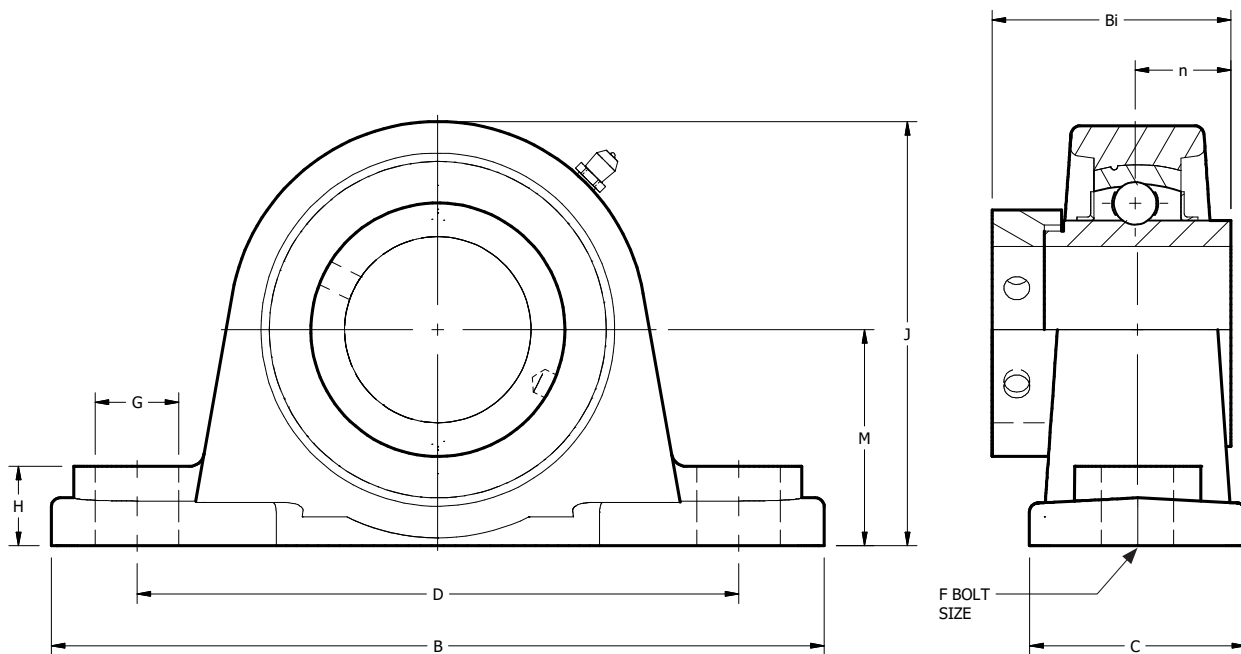
# NORMAL DUTY HC 2-BOLT PILLOW BLOCK CONTINUED

## HCP 200 Series—Mounted Ball Bearing Eccentric Set Screw Locking Collar

SHAFT SIZE	MOLINE PART #	UNIT #	DYNAMIC CAPACITY LBS	DIMENSIONS (INCHES)				
				M	B	D	C	G
1 7/8	19521114	HCP 210-30	7891	2 1/4	8 1/32	6 1/4	2 1/4	7/8
1 15/16	19521115	HCP 210-31						
2	19521200-10	HCP 210-32						
2	19521200	HCP 211-32	9790	2 1/2	8 5/8	7	2 3/8	7/8
2 1/8	19521202	HCP 211-34						
2 3/16	19521203	HCP 211-35						
2 1/4	19521204	HCP 212-36	10746	2 3/4	9 7/16	7 3/8	2 1/2	1
2 3/8	19521206	HCP 212-38						
2 7/16	19521207	HCP 212-39						
2 1/2	19521208	HCP 213-40	12859	3	10 7/16	7 5/8	2 3/4	1 1/8
2 3/4	19521212	HCP 214-44	13668	3 1/8	10 1/2	8 17/64	2 53/64	1 1/8
2 15/16	19521215	HCP 215-47	14837	3 1/4	10 13/16	8 1/2	2 15/16	1 1/8
3	19521300	HCP 215-48						

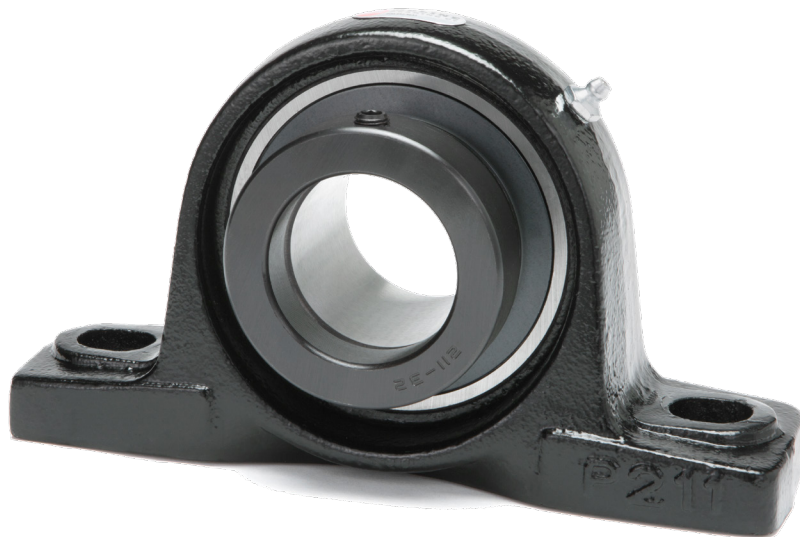
For sale as complete units, inserts and housings.

BALL BEARINGS



# NORMAL DUTY HC 2-BOLT PILLOW BLOCK

SHAFT SIZE	DIMENSIONS (INCHES)					INSERT #	HOUSING #	WEIGHT LBS.
	H	J	Bi	n	F			
1 7/8 1 15/16 2	7/8	4 1/2	2.468	0.968	5/8	HC 210-30 HC 210-31 HC 210-32	P210	6.06
2 2 1/8 2 3/16	7/8	4 31/32	2.811	1.090	5/8	HC 211-32 HC 211-34 HC 211-35	P211	7.85
2 1/4 2 3/8 2 7/16	1	5 7/8	3.063	1.216	5/8	HC 212-36 HC 212-38 HC 212-39	P212	11.46
2 1/2	1 1/16	5 29/32	3.374	1.342	3/4	HC 213-40	P213	13.89
2 3/4	1 11/16	6 5/32	3.374	1.342	3/4	HC 214-44	P214	15.43
2 15/16 3	1 3/32	6 13/32	3.626	1.468	3/4	HC 215-47 HC 215-48	P215	17.20



BALL BEARINGS

For personal service 800.242.4633  
CAD drawings at no additional charge  
For nomenclature see pages 240 and 241

**MOLINE BEARING CO**

