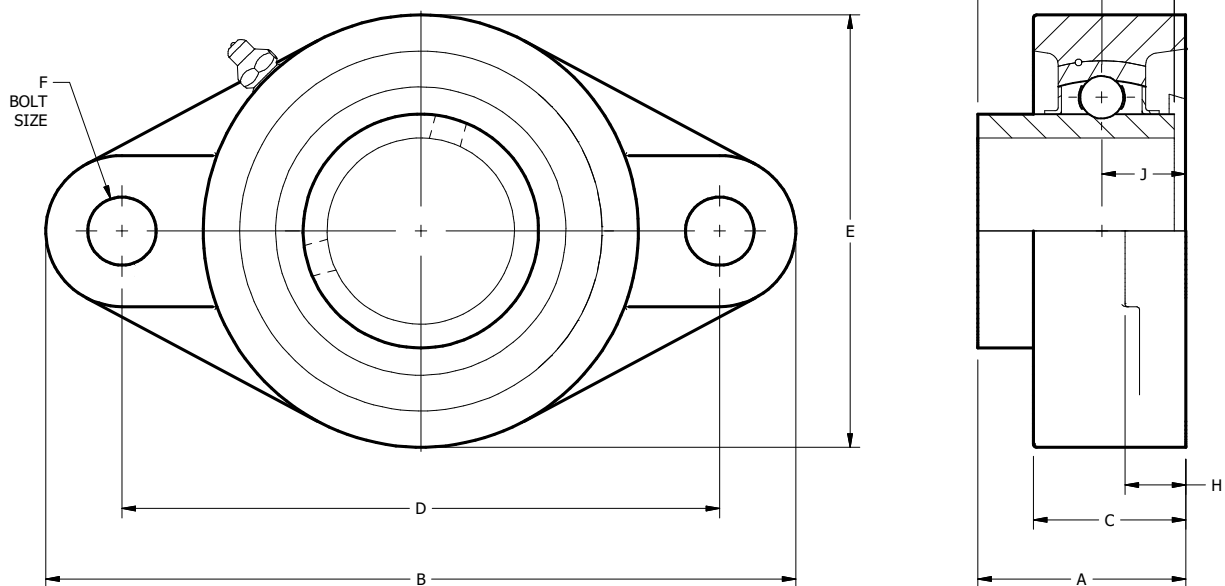


NORMAL DUTY HC 2-BOLT FLANGE

HCFL 200 Series—Mounted Ball Bearing Eccentric Set Screw Locking Collar

SHAFT SIZE	MOLINE PART #	UNIT #	DYNAMIC CAPACITY LBS	DIMENSIONS (INCHES)				
				B	D	J	H	C
3/4	19501012	HCFL 204-12	2878	4 7/8	3 39/64	.591	.433	1 5/32
7/8	19501014	HCFL 205-14	3147	5 1/8	3 57/64	.630	.512	1 7/32
1 5/16	19501015	HCFL 205-15						
1	19501100	HCFL 205-16						
1 1/8	19501102	HCFL 206-18	4384	5 13/16	4 39/64	.709	.512	1 11/32
1 3/16	19501103	HCFL 206-19						
1 1/4	19501104-06	HCFL 206-20						
1 1/4	19501104	HCFL 207-20	5778	6 5/16	5 1/8	.748	.551	1 7/16
1 5/16	19501105	HCFL 207-21						
1 3/8	19501106	HCFL 207-22						
1 7/16	19501107	HCFL 207-23						
1 1/2	19501108	HCFL 208-24	6654	6 7/8	5 43/64	.827	.551	1 17/32
1 9/16	19501109	HCFL 208-25						
1 5/8	19501110	HCFL 209-26	7160	7 3/8	5 53/64	.866	.630	1 9/16
1 11/16	19501111	HCFL 209-27						
1 3/4	19501112	HCFL 209-28						

For sale as complete units, inserts and housings.



BALL BEARINGS



NORMAL DUTY HC 2-BOLT FLANGE

SHAFT SIZE	DIMENSIONS (INCHES)					INSERT #	HOUSING #	WEIGHT LBS.
	E	A	Bi	n	F			
3/4	2 3/8	1.311	1.634	.669	3/8	HC 204-12	FL204	1.54
7/8 1 5/16 1	2 11/16	1.406	1.689	.685	3/8	HC 205-14 HC 205-15 HC 205-16	FL205	1.76
1 1/8 1 3/16 1 1/4	3 5/32	1.583	1.894	.716	3/8	HC 206-18 HC 206-19 HC 206-20	FL206	2.64
1 1/4 1 5/16 1 3/8 1 7/16	3 17/32	1.748	2.020	.740	1/2	HC 207-20 HC 207-21 HC 207-22 HC 207-23	FL207	3.53
1 1/2 1 9/16	3 15/16	2.016	2.201	.842	1/2	HC 208-24 HC 208-25	FL208	4.19
1 5/8 1 11/16 1 3/4	4 1/4	2.055	2.240	.842	5/8	HC 209-26 HC 209-27 HC 209-28	FL209	5.07



BALL BEARINGS

For personal service 800.242.4633
 CAD drawings at no additional charge
 For nomenclature see pages 240 and 241

MOLINE BEARING CO.



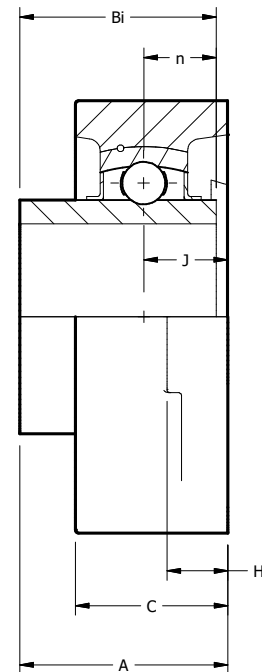
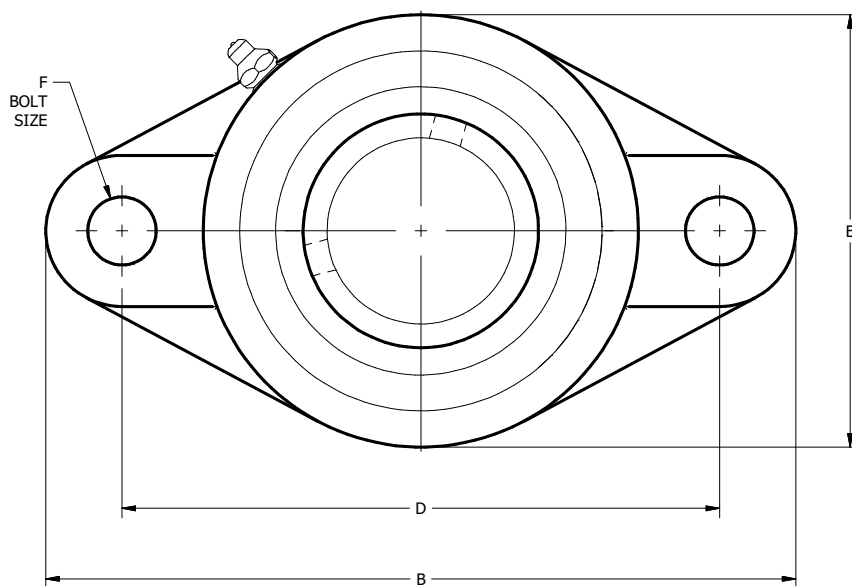
NORMAL DUTY HC 2-BOLT FLANGE CONTINUED

HCFL 200 Series—Mounted Ball Bearing Eccentric Set Screw Locking Collar

SHAFT SIZE	MOLINE PART #	UNIT #	DYNAMIC CAPACITY LBS	DIMENSIONS (INCHES)				
				B	D	J	H	C
1 7/8	19501114	HCFL 210-30	7891	7 3/4	6 3/16	.866	.630	1 27/32
1 15/16	19501115	HCFL 210-31						
2	19501200-10	HCFL 210-32						
2	19501200	HCFL 211-32	9790	8 13/16	7 1/4	.984	.709	1 31/32
2 1/8	19501202	HCFL 211-34						
2 3/16	19501203	HCFL 211-35						
2 1/4	19501204	HCFL 212-36	10746	9 27/32	7 15/16	1.142	.709	1 5/32
2 3/8	19501206	HCFL 212-38						
2 7/16	19501207	HCFL 212-39						
2 1/2	19501208	HCFL 213-40	12859	10 5/32	8 17/64	1.181	.787	2 11/16
2 3/4	19501212	HCFL 214-44	13668	10 7/16	8 1/2	1.22	.787	2 11/16
2 15/16	19501215	HCFL 215-47	14837	10 53/64	8 55/64	1.339	.866	2 15/16
3	19501300	HCFL 215-48						

For sale as complete units, inserts and housings.

BALL BEARINGS



NORMAL DUTY HC 2-BOLT FLANGE

SHAFT SIZE	DIMENSIONS (INCHES)					INSERT #	HOUSING #	WEIGHT LBS.
	E	A	Bi	n	F			
1 7/8 1 15/16 2	4 1/2	2.150	2.366	.969	5/8	HC 210-30 HC 210-31 HC 210-32	FL210	5.73
2 2 1/8 2 3/16	5 1/8	2.299	2.701	1.091	5/8	HC 211-32 HC 211-34 HC 211-35	FL211	8.38
2 1/4 2 3/8 2 7/16	5 1/2	2.705	2.984	1.216	5/8	HC 212-36 HC 212-38 HC 212-39	FL212	10.58
2 1/2	6 1/8	2.744	3.213	1.342	3/4	HC 213-40	FL213	13.23
2 3/4	6 5/16	2.969	3.252	1.342	3/4	HC 214-44	FL214	13.89
2 15/16 3	6 1/2	3.091	3.496	1.468	3/4	HC 215-47 HC 215-48	FL215	15.87



BALL BEARINGS

For personal service 800.242.4633
CAD drawings at no additional charge
For nomenclature see pages 240 and 241

MOLINE BEARING CO.

