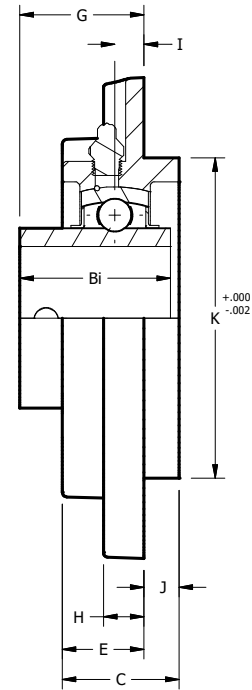
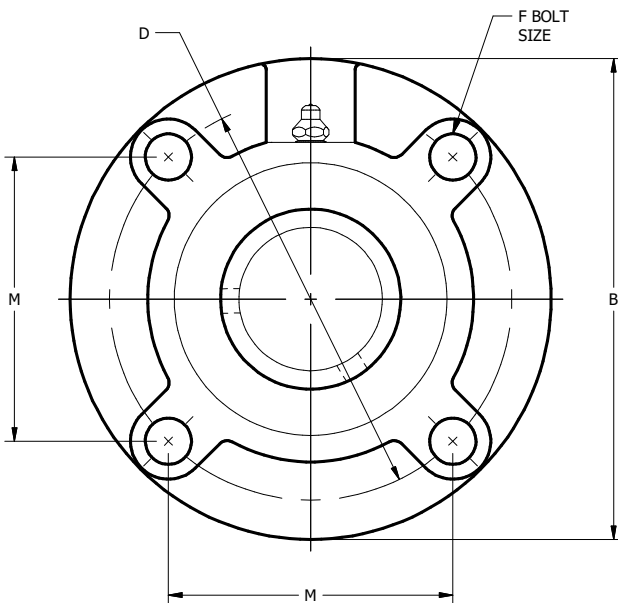


# MEDIUM DUTY UCX PILOTED FLANGE

## UCFCX Series— Mounted Ball Bearing Set Screw Lock

SHAFT SIZE	MOLINE PART #	UNIT #	DYNAMIC CAPACITY LBS	DIMENSIONS (INCHES)					
				B	C	D	E	G	H
1	29431100	UCFCX05-16	4384	4 <sup>3</sup> / <sub>8</sub>	1 <sup>3</sup> / <sub>16</sub>	3 <sup>5</sup> / <sub>8</sub>	1 <sup>5</sup> / <sub>16</sub>	1 <sup>9</sup> / <sub>32</sub>	3 <sup>3</sup> / <sub>8</sub>
1 <sup>1</sup> / <sub>8</sub>	29451102	UCFCX06-18	5778	5	1 <sup>1</sup> / <sub>4</sub>	4 <sup>1</sup> / <sub>8</sub>	7 <sup>7</sup> / <sub>8</sub>	1 <sup>5</sup> / <sub>16</sub>	3 <sup>3</sup> / <sub>8</sub>
1 <sup>3</sup> / <sub>16</sub>	29431103	UCFCX06-19							
1 <sup>1</sup> / <sub>4</sub>	29431104	UCFCX06-20							
1 <sup>3</sup> / <sub>8</sub>	29431106	UCFCX07-22	6654	5 <sup>1</sup> / <sub>4</sub>	1 <sup>7</sup> / <sub>16</sub>	4 <sup>3</sup> / <sub>8</sub>	1	1 <sup>17</sup> / <sub>32</sub>	7 <sup>7</sup> / <sub>16</sub>
1 <sup>7</sup> / <sub>16</sub>	29431107	UCFCX07-23							
1 <sup>1</sup> / <sub>2</sub>	29431108	UCFCX08-24	7160	5 <sup>1</sup> / <sub>4</sub>	1 <sup>7</sup> / <sub>16</sub>	4 <sup>3</sup> / <sub>8</sub>	1	1 <sup>17</sup> / <sub>32</sub>	7 <sup>7</sup> / <sub>16</sub>
1 <sup>5</sup> / <sub>8</sub>	29431110	UCFCX09-26	7891	6 <sup>1</sup> / <sub>8</sub>	1 <sup>15</sup> / <sub>16</sub>	5 <sup>1</sup> / <sub>8</sub>	1	1 <sup>19</sup> / <sub>32</sub>	7 <sup>7</sup> / <sub>16</sub>
1 <sup>1</sup> / <sub>16</sub>	29431111	UCFCX09-27							
1 <sup>3</sup> / <sub>4</sub>	29431112	UCFCX09-28							
1 <sup>7</sup> / <sub>8</sub>	29431114	UCFCX10-30	9790	6 <sup>3</sup> / <sub>8</sub>	1 <sup>5</sup> / <sub>8</sub>	5 <sup>3</sup> / <sub>8</sub>	1	1 <sup>19</sup> / <sub>32</sub>	7 <sup>7</sup> / <sub>16</sub>
1 <sup>15</sup> / <sub>16</sub>	29431115	UCFCX10-31							
2	29431200	UCFCX10-32							

For sale as complete units, inserts and housings.



BALL BEARINGS



# MEDIUM DUTY UCX PILOTED FLANGE

SHAFT SIZE	DIMENSIONS (INCHES)						INSERT #	HOUSING #	WEIGHT LBS.
	I	J	K	M	Bi	F			
1	13/32	1/4	3.000	2.56	1.50	5/16	UCX05-16	FCX05	2.45
1 1/8 1 3/16 1 1/4	5/16	3/8	3.375	2.94	1.69	3/8	UCX06-18 UCX06-19 UCX06-20	FCX06	3.30
1 3/8 1 7/16	3/8	7/16	3.625	3.09	1.94	3/8	UCX07-22 UCX07-23	FCX07	3.97
1 1/2	11/32	7/16	3.625	3.09	1.94	3/8	UCX08-24	FCX08	4.85
1 5/8 1 11/16 1 3/4	5/16	15/32	4.250	3.63	2.03	7/16	UCX09-26 UCX09-27 UCX09-28	FCX09	6.17
1 7/8 1 15/16 2	9/32	5/8	4.500	3.78	2.19	7/16	UCX10-30 UCX10-31 UCX10-32	FCX10	7.17



BALL BEARINGS

For personal service 800.242.4633  
 CAD drawings at no additional charge  
 For nomenclature see pages 240 and 241

**MOLINE BEARING CO.**

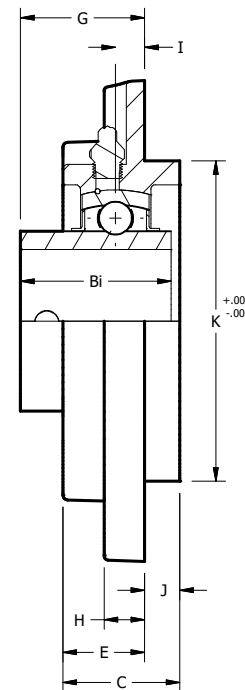
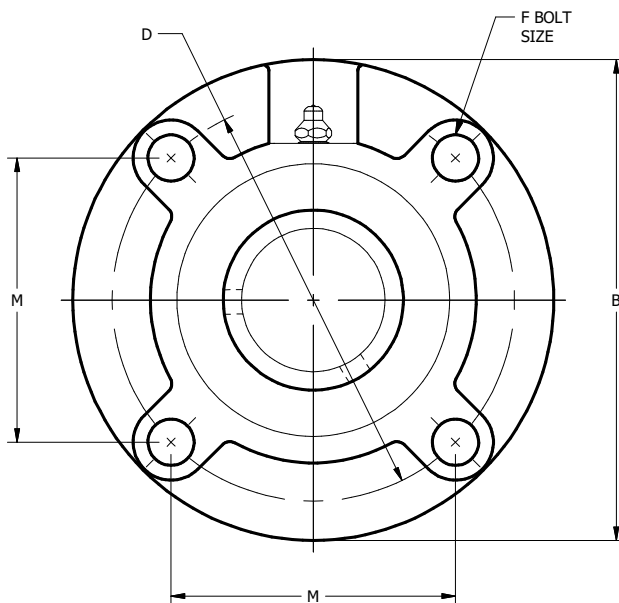


# MEDIUM DUTY UCX PILOTED FLANGE CONTINUED

## UCFCX Series— Mounted Ball Bearing Set Screw Lock

SHAFT SIZE	MOLINE PART #	UNIT #	DYNAMIC CAPACITY LBS	DIMENSIONS (INCHES)					
				B	C	D	E	G	H
2 1/8	29431202	UCFCX11-34	10746	7 1/8	1 7/8	6	1	1 23/32	1/2
2 3/16	29431203	UCFCX11-35							
2 1/4	29431204	UCFCX11-36							
2 3/8	29431206	UCFCX12-38	12859	7 5/8	2 3/32	6 1/2	1 5/16	2	9/16
2 7/16	29431207	UCFCX12-39							
2 1/2	29431208	UCFCX13-40	13668	7 5/8	2 3/32	6 1/2	1 5/16	2 3/16	9/16
2 11/16	29431211	UCFCX14-43	14837	8 3/4	2 7/32	7 1/2	1 7/16	2 5/16	9/16
2 15/16	29431215	UCFCX15-47	16074	8 3/4	2 1/4	7 1/2	1 3/8	2 13/32	5/8
3	29431300	UCFCX15-48							
3 7/16	29431307	UCFCX17-55	21559	10 1/4	2 7/16	8 5/8	1 7/16	2 5/8	3/4
3 1/2	29431308	UCFCX18-56	24504	10 1/4	2 25/32	8 5/8	1 11/16	2 7/8	3/4
3 15/16	29431315	UCFCX20-63	29900	10 7/8	3 23/32	9 3/8	2 5/8	3 9/16	7/8
4	29431400	UCFCX20-64							

For sale as complete units, inserts and housings.



BALL BEARINGS



# MEDIUM DUTY UCX PILOTED FLANGE

SHAFT SIZE	DIMENSIONS (INCHES)						INSERT #	HOUSING #	WEIGHT LBS.
	I	J	K	M	Bi	F			
2 1/8 2 3/16 2 1/4	5/32	7/8	5.000	4.23	2.56	1/2	UCX11-34 UCX11-35 UCX11-36	FCX11	9.92
2 3/8 2 7/16	7/16	25/32	5.500	4.59	2.56	1/2	UCX12-38 UCX12-39	FCX12	11.20
2 1/2	7/16	25/32	5.500	4.59	2.94	1/2	UCX13-40	FCX13	14.33
2 11/16	9/16	25/32	6.375	5.28	3.06	5/8	UCX14-43	FCX14	15.87
2 15/16 3	15/32	7/8	6.375	5.28	3.25	5/8	UCX15-47 UCX15-48	FCX15	17.64
3 7/16	13/32	1	7.375	6.10	3.78	3/4	UCX17-55	FCX17	28.40
3 1/2	15/32	1 3/32	7.375	6.10	4.09	3/4	UCX18-56	FCX18	29.70
3 15/16 4	7/8	1 3/32	8.125	6.63	4.63	3/4	UCX20-63 UCX20-64	FCX20	40.90



BALL BEARINGS

For personal service 800.242.4633  
CAD drawings at no additional charge  
For nomenclature see pages 240 and 241

**MOLINE BEARING CO.**

