

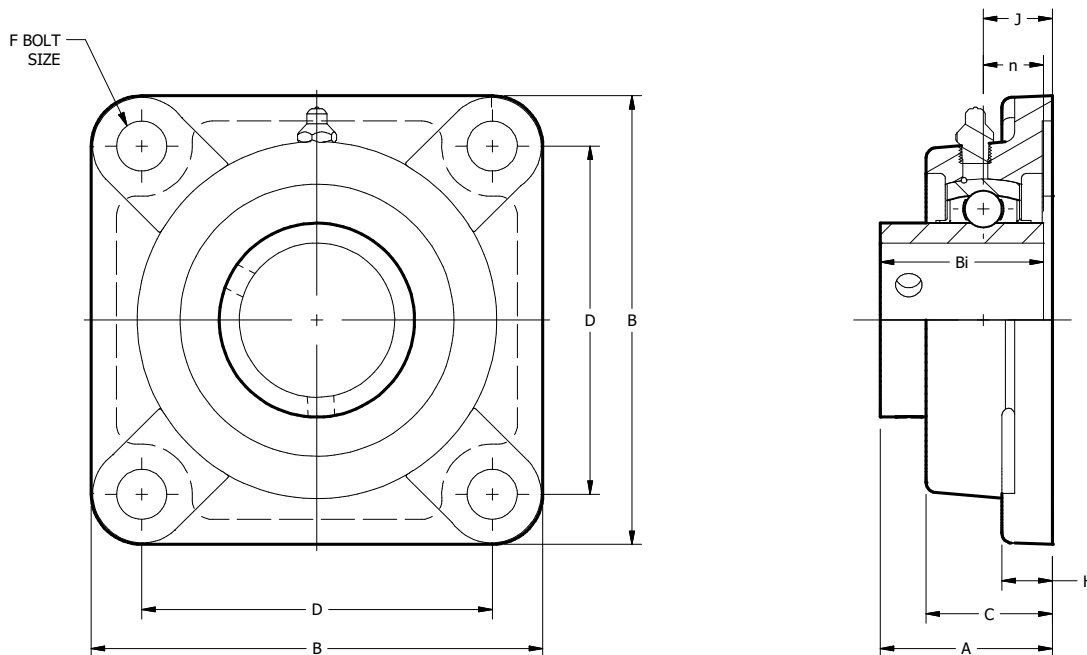
MEDIUM DUTY UCX 4-BOLT FLANGE

UCFX Series— Mounted Ball Bearing Set Screw Lock

SHAFT SIZE	MOLINE PART #	UNIT #	DYNAMIC CAPACITY LBS	DIMENSIONS (INCHES)			
				A	B	C	D
1	29411100	UCFX05-16	4384	1 ⁹ / ₁₆	4 ¹ / ₄	1 ³ / ₁₆	3 ¹ / ₄
1 ¹ / ₈	29411102	UCFX06-18	5778	1 ³ / ₄	4 ⁵ / ₈	1 ⁵ / ₁₆	3 ⁵ / ₈
1 ³ / ₁₆	29411103	UCFX06-19					
1 ¹ / ₄	29411104	UCFX06-20					
1 ³ / ₈	29411106	UCFX07-22	6654	2	5 ¹ / ₈	1 ¹ / ₂	4
1 ⁷ / ₁₆	29411107	UCFX07-23					
1 ¹ / ₂	29411108	UCFX08-24	7160	2 ¹ / ₁₆	5 ³ / ₈	1 ⁹ / ₁₆	4 ¹ / ₈
1 ⁵ / ₈	29411110	UCFX09-26	7891	2 ³ / ₁₆	5 ⁵ / ₈	1 ⁹ / ₁₆	4 ³ / ₈
1 ¹¹ / ₁₆	29411111	UCFX09-27					
1 ³ / ₄	29411112	UCFX09-28					
1 ⁷ / ₈	29411114	UCFX10-30	9790	2 ⁵ / ₁₆	6 ³ / ₈	1 ³ / ₄	5 ¹ / ₈
1 ¹⁵ / ₁₆	29411115	UCFX10-31					
2	29411200	UCFX10-32					

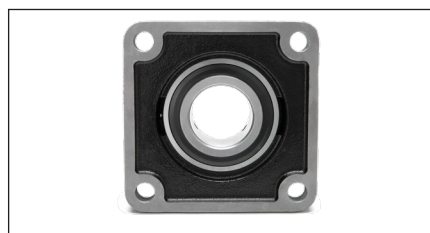
For sale as complete units, inserts and housings.

BALL BEARINGS



MEDIUM DUTY UCX 4-BOLT FLANGE

SHAFT SIZE	DIMENSIONS (INCHES)					INSERT #	HOUSING #	WEIGHT LBS.
	H	J	n	Bi	F			
1	1/2	5/8	11/16	1.50	7/16	UCX05-16	FX05	2.65
1 1/8 1 3/16 1 1/4	9/16	11/16	3/4	1.69	1/2	UCX06-18 UCX06-19 UCX06-20	FX06	3.53
1 3/8 1 7/16	9/16	3/4	13/16	1.94	1/2	UCX07-22 UCX07-23	FX07	4.41
1 1/2	9/16	3/4	7/8	1.94	9/16	UCX08-24	FX08	5.29
1 5/8 1 11/16 1 3/4	9/16	3/4	15/16	2	9/16	UCX09-26 UCX09-27 UCX09-28	FX09	5.95
1 7/8 1 15/16 2	13/16	7/8	1	2.19	5/8	UCX10-30 UCX10-31 UCX10-32	FX10	8.16



BALL BEARINGS

For personal service 800.242.4633
 CAD drawings at no additional charge
 For nomenclature see pages 240 and 241

MOLINE BEARING CO

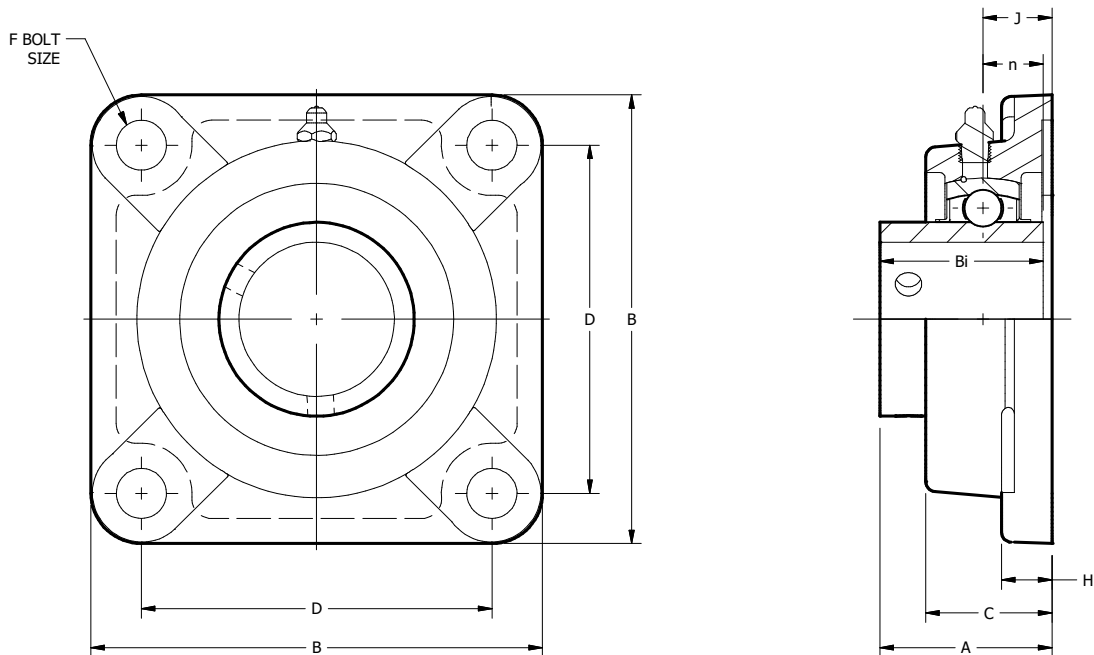


MEDIUM DUTY UCX 4-BOLT FLANGE CONTINUED

UCFX Series— Mounted Ball Bearing Set Screw Lock

SHAFT SIZE	MOLINE PART #	UNIT #	DYNAMIC CAPACITY LBS	DIMENSIONS (INCHES)			
				A	B	C	D
2 1/8	29411202	UCFX11-34	10746	2 11/16	6 7/8	1 15/16	5 5/8
2 3/16	29411203	UCFX11-35					
2 1/4	29411204	UCFX12-36					
2 3/8	29411206	UCFX12-38	12859	2 7/8	7 3/8	2 1/4	5 7/8
2 7/16	29411207	UCFX12-39					
2 1/2	29411208	UCFX13-40	13668	3 1/16	7 3/8	2 5/16	5 7/8
2 11/16	29411211	UCFX14-43	14837	3 3/16	7 3/4	2 3/8	6
2 15/16	29411215	UCFX15-47	16074	3 1/2	7 3/4	2 11/16	6
3	29411300	UCFX15-48					
3 1/16	29411307	UCFX17-55	21559	3 13/16	8 7/16	2 3/4	6 3/4
3 1/2	29411308	UCFX18-56	24504	4 3/16	8 7/16	3	6 3/4
3 15/16	29411315	UCFX20-63	29900	5	10 9/16	3 13/16	8 1/4
4	29411400	UCFX20-64					

For sale as complete units, inserts and housings.



BALL BEARINGS



MEDIUM DUTY UCX 4-BOLT FLANGE

SHAFT SIZE	DIMENSIONS (INCHES)					INSERT #	HOUSING #	WEIGHT LBS.
	H	J	n	Bi	F			
2 1/8 2 3/16 2 1/4	13/16	1	1 1/8	2.56	5/8	UCX11-34 UCX11-35 UCX11-36	FX11	10.8
2 3/8 2 7/16	13/16	1	1 5/16	2.56	5/8	UCX12-38 UCX12-39	FX12	12.57
2 1/2	13/16	1 3/16	1 5/16	2.94	5/8	UCX13-40	FX13	13.89
2 11/16	15/16	1 5/16	1 7/16	3.06	3/4	UCX14-43	FX14	15.43
2 15/16 3	15/16	1 5/16	1 9/16	3.25	3/4	UCX15-47 UCX15-48	FX15	18.52
3 7/16	15/16	1 9/16	1 9/16	3.75	3/4	UCX17-55	FX17	23.81
3 1/2	15/16	1 3/4	1 3/4	4.09	3/4	UCX18-56	FX18	26.24
3 15/16 4	1 1/4	1 15/16	2 5/16	4.63	1 1/8	UCX20-63 UCX20-64	FX20	42.77



BALL BEARINGS

For personal service 800.242.4633
CAD drawings at no additional charge
For nomenclature see pages 240 and 241

MOLINE BEARING CO.

