

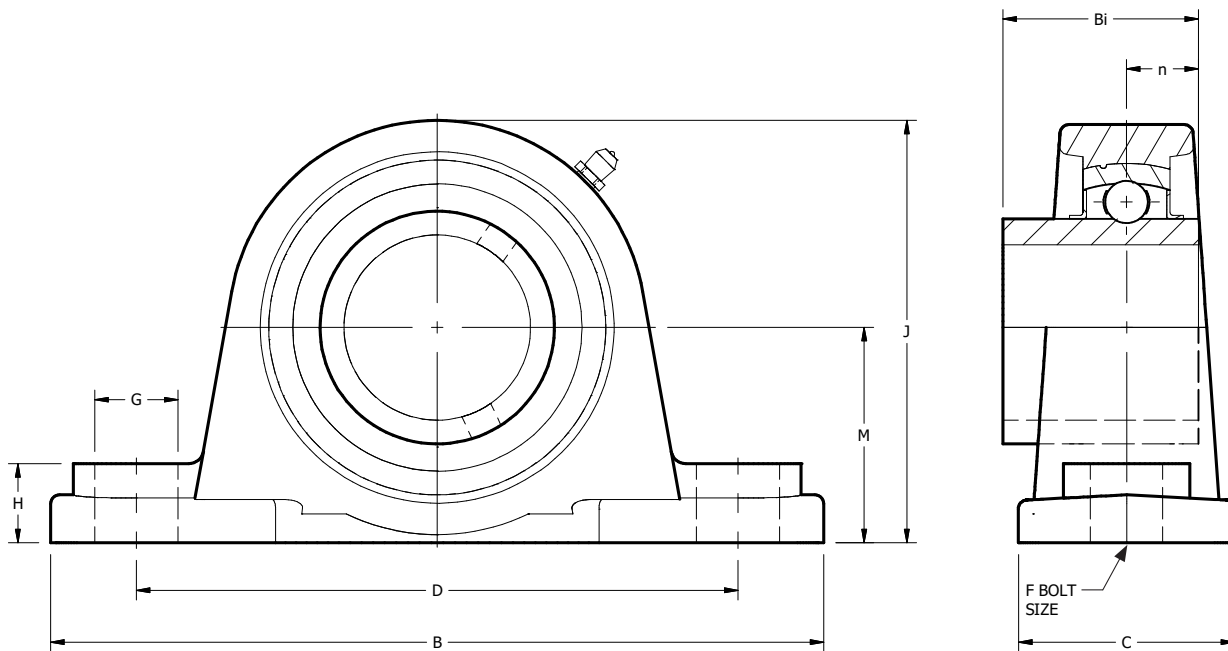
MEDIUM DUTY UCX 2-BOLT PILLOW BLOCK

UCPX Series— Mounted Ball Bearing Set Screw Lock

SHAFT SIZE	MOLINE PART #	UNIT #	DYNAMIC CAPACITY LBS	DIMENSIONS (INCHES)				
				B	C	D	G	H
1	29421100	UCPX05-16	4384	6 ¼	2	4 11/16	13/16	13/16
1 1/8	29421102	UCPX06-18	5778	6 7/8	2 1/8	4 3/4	13/16	13/16
1 3/16	29421103	UCPX06-19						
1 1/4	29421104	UCPX06-20						
1 3/8	29421106	UCPX07-22	6654	8	2 1/4	5 5/8	13/16	13/16
1 7/16	29421107	UCPX07-23						
1 1/2	29421108	UCPX08-24	7160	8 3/4	6 9/16	6 1/8	15/16	15/16
1 5/8	29421110	UCPX09-26	7891	8 3/4	2 5/8	6 1/8	15/16	1
1 11/16	29421111	UCPX09-27						
1 3/4	29421112	UCPX09-28						
1 7/8	29421114	UCPX10-30	9790	9 7/16	2 13/16	6 3/4	15/16	15/16
1 15/16	29421115	UCPX10-31						
2	29421200	UCPX10-32						

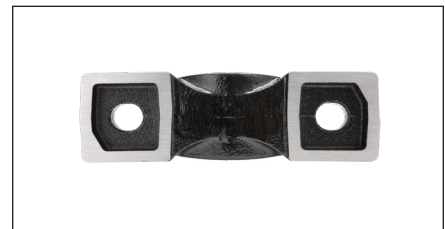
For sale as complete units, inserts and housings.

BALL BEARINGS



MEDIUM DUTY UCX 2-BOLT PILLOW BLOCK

SHAFT SIZE	DIMENSIONS (INCHES)					INSERT #	HOUSING #	WEIGHT LBS.
	J	M	Bi	n	F			
1	3 3/8	1 3/4	1.50	0.63	9/16	UCX05-16	PX05	3.31
1 1/8 1 3/16 1 1/4	3 5/8	1 7/8	1.69	0.69	9/16	UCX06-18 UCX06-19 UCX06-20	PX06	4.63
1 3/8 1 7/16	4 1/8	2 1/8	1.94	0.75	9/16	UCX07-22 UCX07-23	PX07	5.95
1 1/2	4 7/16	2 5/16	1.94	0.74	5/8	UCX08-24	PX08	7.72
1 5/8 1 11/16 1 3/4	4 9/16	2 5/16	2	0.75	5/8	UCX09-26 UCX09-27 UCX09-28	PX09	8.16
1 7/8 1 15/16 2	4 15/16	2 1/2	2.19	.88	5/8	UCX10-30 UCX10-31 UCX10-32	PX10	10.14



BALL BEARINGS

For personal service 800.242.4633
CAD drawings at no additional charge
For nomenclature see pages 240 and 241

MOLINE BEARING CO



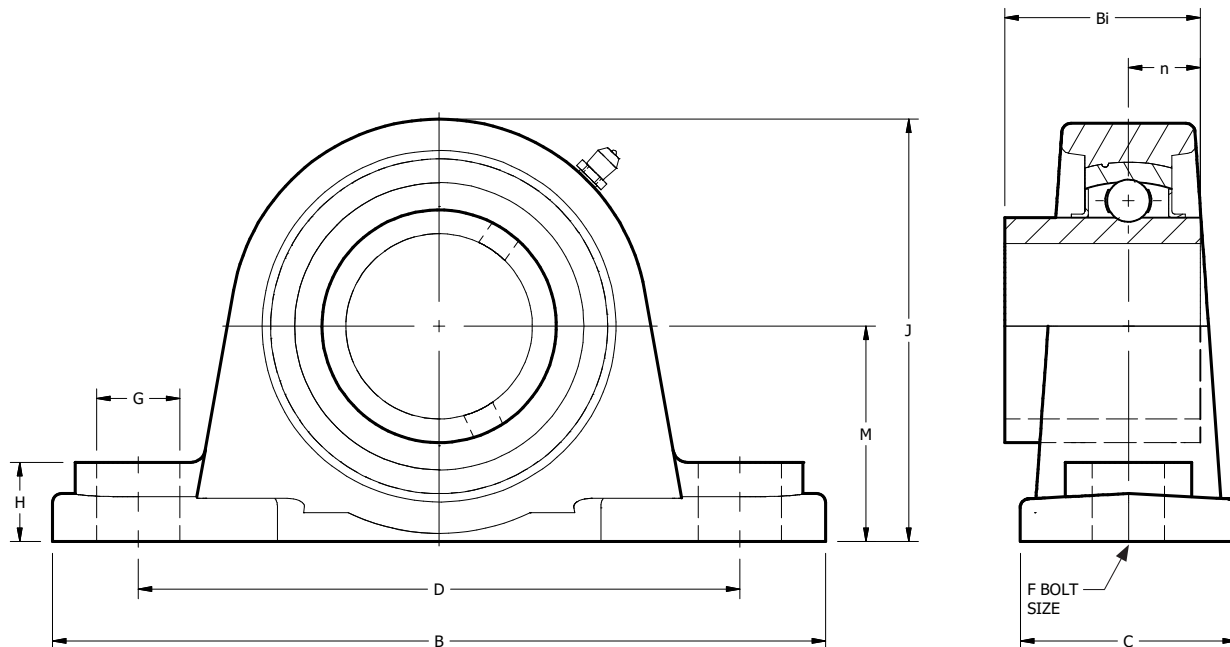
MEDIUM DUTY UCX 2-BOLT PILLOW BLOCK CONTINUED

UCPX Series— Mounted Ball Bearing Set Screw Lock

SHAFT SIZE	MOLINE PART #	UNIT #	DYNAMIC CAPACITY LBS	DIMENSIONS (INCHES)				
				B	C	D	G	H
2 1/8	29421202	UCPX11-34	10746	10 1/4	3 1/8	7 1/4	1 1/8	1 1/8
2 3/16	29421203	UCPX11-35						
2 1/4	29421204	UCPX11-36						
2 3/8	29421206	UCPX12-38	12859	11	3 3/16	8	1 1/8	1 1/4
2 7/16	29421207	UCPX12-39						
2 1/2	29421208	UCPX13-40	13668	11 1/4	3 1/4	8	1 1/8	1 5/16
2 11/16	29421211	UCPX14-43	14847	12 5/8	3 3/8	9	1 3/16	1 5/16
2 15/16	29421215	UCPX15-47	16074	13	3 5/8	9	1 3/16	1 3/8
3	29421300	UCPX15-48						
3 7/16	29421307	UCPX17-55	21559	14 15/16	4	11 1/8	1 3/16	1 9/16
3 1/2	29421308	UCPX18-56	24504	15	4 3/16	11 1/8	1 3/16	1 9/16
3 15/16	29421315	UCPX20-63	29900	17	4 3/4	13 1/4	1 7/16	1 3/4
4	29421400	UCPX20-64						

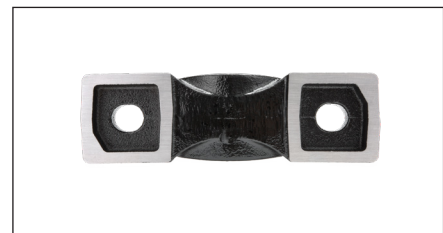
For sale as complete units, inserts and housings.

BALL BEARINGS



MEDIUM DUTY UCX 2-BOLT PILLOW BLOCK

SHAFT SIZE	DIMENSIONS (INCHES)					INSERT #	HOUSING #	WEIGHT LBS.
	J	M	Bi	n	F			
2 1/8 2 3/16 2 1/4	5 3/8	2 3/4	2.56	1	3/4	UCX11-34 UCX11-35 UCX11-36	PX11	14.33
2 3/8 2 7/16	5 7/8	3	2.56	1	3/4	UCX12-38 UCX12-39	PX12	16.98
2 1/2	6	3	2.94	1.19	3/4	UCX13-40	PX13	17.86
2 11/16	6 11/16	3 1/2	3.06	1.31	7/8	UCX14-43	PX14	22.49
2 15/16 3	6 7/8	3 1/2	3.25	1.31	7/8	UCX15-47 UCX15-48	PX15	23.81
3 7/16	7 7/8	4	3.75	1.56	7/8	UCX17-55	PX17	35.49
3 1/2	8 1/8	4	4.09	1.69	7/8	UCX18-56	PX18	42.11
3 15/16 4	9 5/8	5	4.63	1.94	1 1/8	UCX20-63 UCX20-64	PX20	67.02



BALL BEARINGS

For personal service 800.242.4633
CAD drawings at no additional charge
For nomenclature see pages 240 and 241

MOLINE BEARING CO

