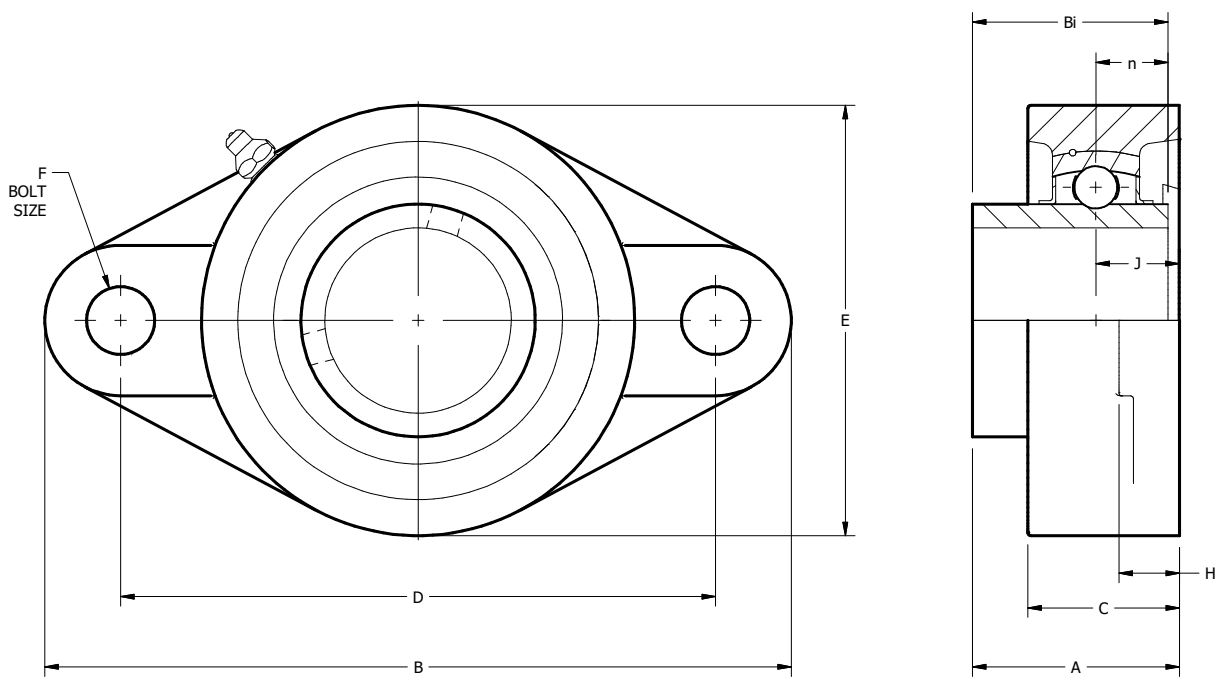


# MEDIUM DUTY UCX 2-BOLT FLANGE

## UCFLX Series— Mounted Ball Bearing Set Screw Lock

SHAFT SIZE	MOLINE PART #	UNIT #	DYNAMIC CAPACITY LBS	DIMENSIONS (INCHES)				
				A	B	C	D	E
1	29401100	UCFLX 05-16	4384	1.58	5 <sup>9</sup> / <sub>16</sub>	1 <sup>3</sup> / <sub>16</sub>	4 <sup>5</sup> / <sub>8</sub>	3 <sup>1</sup> / <sub>4</sub>
1 <sup>1</sup> / <sub>8</sub>	29401102	UCFLX 06-18	5778	1.75	6 <sup>1</sup> / <sub>8</sub>	1 <sup>9</sup> / <sub>16</sub>	5 <sup>1</sup> / <sub>8</sub>	3 <sup>3</sup> / <sub>4</sub>
1 <sup>3</sup> / <sub>16</sub>	29401103	UCFLX 06-19						
1 <sup>1</sup> / <sub>4</sub>	29401104	UCFLX 06-20						
1 <sup>3</sup> / <sub>8</sub>	29401106	UCFLX 07-22	6654	2.02	6 <sup>3</sup> / <sub>4</sub>	1 <sup>1</sup> / <sub>2</sub>	5 <sup>11</sup> / <sub>16</sub>	4 <sup>1</sup> / <sub>8</sub>
1 <sup>7</sup> / <sub>16</sub>	29401107	UCFLX 07-23						
1 <sup>1</sup> / <sub>2</sub>	29401108	UCFLX 08-24	7160	2.06	7 <sup>1</sup> / <sub>16</sub>	1 <sup>9</sup> / <sub>16</sub>	5 <sup>13</sup> / <sub>16</sub>	4 <sup>3</sup> / <sub>8</sub>
1 <sup>5</sup> / <sub>8</sub>	29401110	UCFLX 09-26	7891	2.19	7 <sup>7</sup> / <sub>16</sub>	1 <sup>9</sup> / <sub>16</sub>	6 <sup>3</sup> / <sub>16</sub>	4 <sup>9</sup> / <sub>16</sub>
1 <sup>11</sup> / <sub>16</sub>	29401111	UCFLX 09-27						
1 <sup>3</sup> / <sub>4</sub>	29401112	UCFLX 09-28						
1 <sup>7</sup> / <sub>8</sub>	29401114	UCFLX 10-30	9790	2.34	8 <sup>1</sup> / <sub>2</sub>	1 <sup>3</sup> / <sub>4</sub>	7 <sup>1</sup> / <sub>4</sub>	5 <sup>1</sup> / <sub>4</sub>
1 <sup>15</sup> / <sub>16</sub>	29401115	UCFLX 10-31						
2	29401200	UCFLX 10-32						

For sale as complete units, inserts and housings.



# MEDIUM DUTY UCX 2-BOLT FLANGE

SHAFT SIZE	DIMENSIONS (INCHES)					INSERT #	HOUSING #	WEIGHT LBS.
	H	J	n	Bi	F			
1	1/2	.63	11/16	1.50	7/16	UCX05-16	FLX05	2.21
1 1/8 1 3/16 1 1/4	9/16	.69	3/4	1.69	9/16	UCX06-18 UCX06-19 UCX06-20	FLX06	3.31
1 3/8 1 7/16	9/16	.75	13/16	1.94	9/16	UCX07-22 UCX07-23	FLX07	4.41
1 1/2	9/16	.75	7/8	1.94	9/16	UCX08-24	FLX08	4.85
1 5/8 1 11/16 1 3/4	9/16	.75	15/16	2	9/16	UCX09-26 UCX09-27 UCX09-28	FLX09	5.29
1 7/8 1 15/16 2	13/16	.87	1	2.19	5/8	UCX10-30 UCX10-31 UCX10-32	FLX10	7.50



BALL BEARINGS

For personal service 800.242.4633  
 CAD drawings at no additional charge  
 For nomenclature see pages 240 and 241

**MOLINE BEARING CO.**

