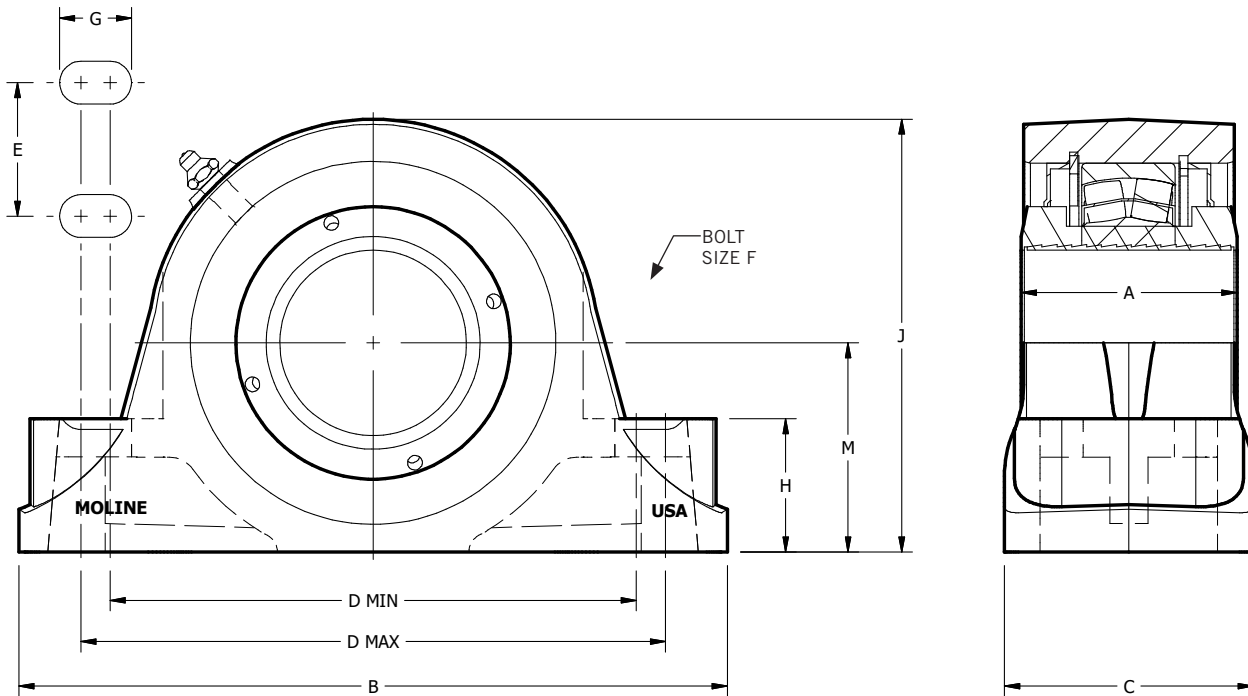


TYPE ME3000 4-BOLT PILLOW BLOCK

| SHAFT SIZE | MOLINE PART # | | DIMENSIONS (INCHES) | | | | | |
|--|--|--|---------------------------------|------|-----|---------------------------------|----------------------------------|---------------------------------|
| | EXP | NON-EXP | A | B | C | MIN D | CENTER TO CENTER D | MAX D |
| 2 ⁷ / ₁₆ 2 ½ | 29641207 29641208 | 29741207 29741208 | 2 ¹³ / ₁₆ | 10 ½ | 3 ½ | 8 ⁵ / ₁₆ | 8 ½ | 8 ¹¹ / ₁₆ |
| 2 ¹¹ / ₁₆ 2 ³ / ₄ 2 ¹⁵ / ₁₆ 3 | 29641211 29641212 29641215 29641300 | 29741211 29741212 29741215 29741300 | 2 ¹³ / ₁₆ | 12 | 4 | 9 ³ / ₁₆ | 9 ½ | 9 ¹³ / ₁₆ |
| 3 ⁷ / ₁₆ 3 ½ | 29641307 29641308 | 29741307 29741308 | 3 ²⁵ / ₆₄ | 14 | 4 ½ | 10 ³ / ₄ | 11 | 11 ¼ |
| 3 ¹⁵ / ₁₆ 4 | 29641315 29641400 | 29741315 29741400 | 3 ³¹ / ₆₄ | 15 ¼ | 4 ½ | 10 ⁷ / ₁₆ | 11 ¹¹ / ₁₆ | 12 ⁷ / ₈ |



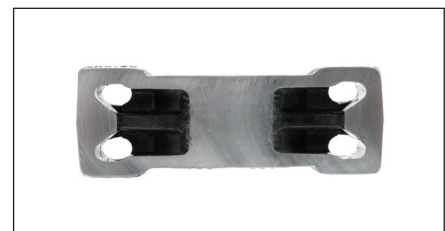
MOLINE BEARING CO.

Post Office Box 99, Batavia, Illinois 60510, USA
 630.584.4600, 800.242.4633, 630.584.1999 fax
www.molinebearing.com, sales@molinebearing.com

TYPE ME3000 4-BOLT PILLOW BLOCK

| SHAFT SIZE | MOLINE PART # | | DIMENSIONS (INCHES) | | | | | | WEIGHT LBS. |
|---|--|--|-------------------------------|-----------------------------|--------------------------------|--------------------------------|-----|-------------------------------|-------------|
| | EXP | NON-EXP | E | F | G* | H | J | M | |
| 2 ⁷ / ₁₆ 2 ½ | 29641207 29641208 | 29741207 29741208 | 1 ⁷ / ₈ | ⁵ / ₈ | ⁷ / ₈ | 1 ⁵ / ₈ | 5 ½ | 2 ³ / ₄ | 19 |
| 2 ¹ / ₁₆ 2 ³ / ₄ 2 ¹⁵ / ₁₆ 3 | 29641211 29641212 29641215 29641300 | 29741211 29741212 29741215 29741300 | 2 ½ | ⁵ / ₈ | ⁷ / ₈ | 1 ⁷ / ₈ | 6 ¼ | 3 ¹ / ₈ | 26 |
| 3 ⁷ / ₁₆ 3 ½ | 29641307 29641308 | 29741307 29741308 | 2 ³ / ₈ | ³ / ₄ | 1 ³ / ₁₆ | 2 ¼ | 7 ½ | 3 ³ / ₄ | 44 |
| 3 ¹⁵ / ₁₆ 4 | 29641315 29641400 | 29741315 29741400 | 2 ¼ | ³ / ₄ | 1 ½ | 2 ⁷ / ₁₆ | 8 ½ | 4 ¼ | 65 |

*Note: The elongated slots give broader mounting capabilities.



For personal service 800.242.4633
 sales@molinebearing.com
 CAD drawings at no additional charge

MOLINE BEARING CO

