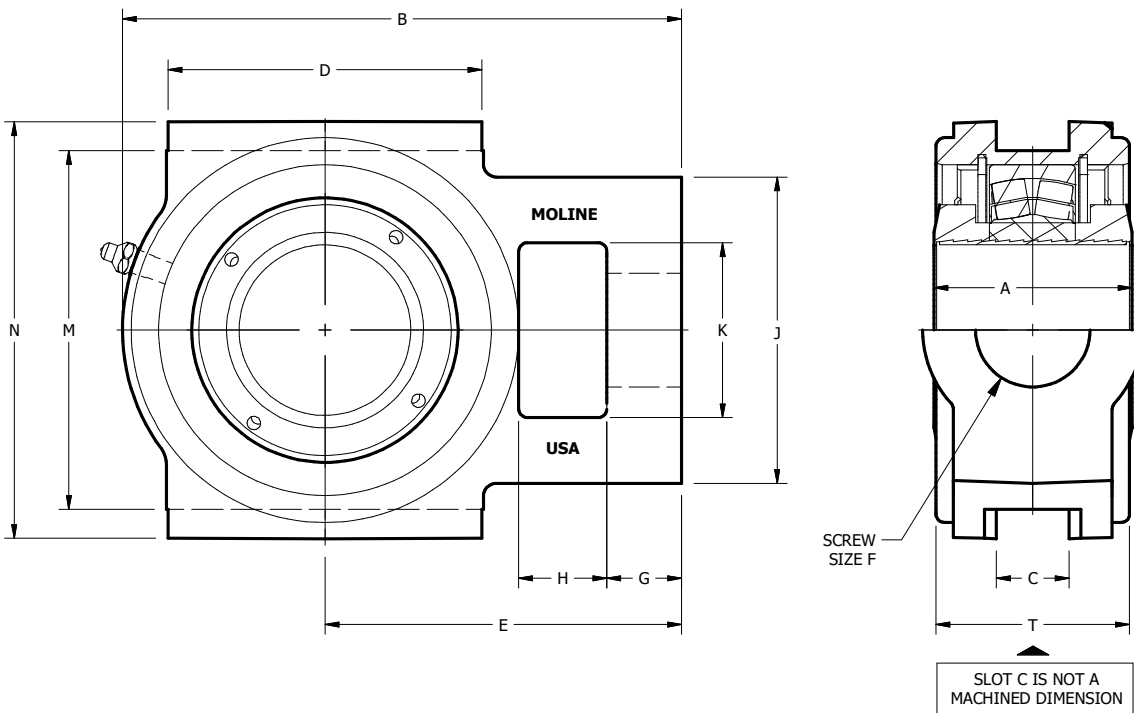


M3000 EVEN-LOK™ WIDE SLOT TAKE-UP

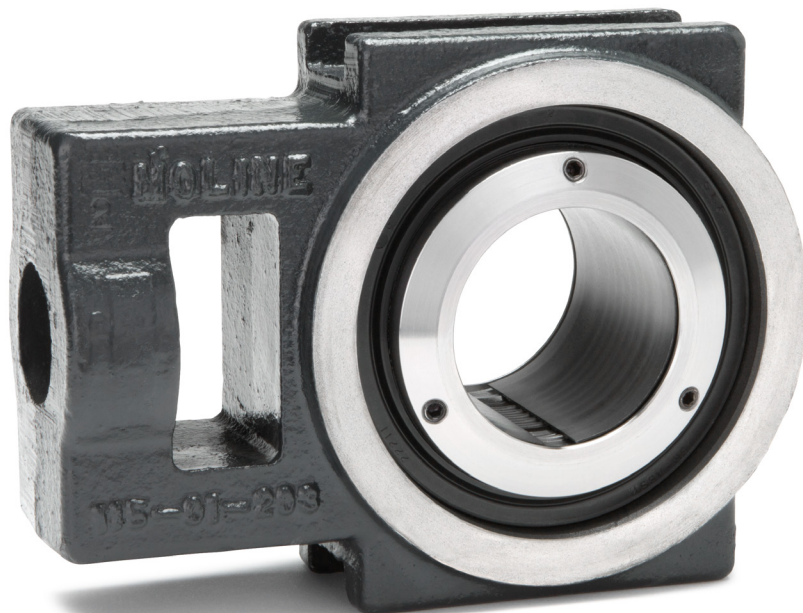
SHAFT SIZE	MOLINE PART #		DIMENSIONS (INCHES)				
	EXP	NON-EXP	A	B	C	D	E
1 ¹⁵ / ₁₆ 2	19651115 19651200	19751115 19751200	2 ⁹ / ₁₆	6 ⁵ / ₁₆	1 ¹ / ₁₆	3 ³ / ₄	3 ¹⁵ / ₁₆
2 ³ / ₁₆	19651203	19751203	2 ¹⁹ / ₃₂	7 ¹ / ₈	1 ³ / ₁₆	3 ³ / ₄	4 ⁵ / ₈
2 ⁷ / ₁₆ 2 ¹ / ₂	19651207 19651208	19751207 19751208	2 ¹³ / ₁₆	7 ¹³ / ₁₆	1 ¹ / ₃₂	4 ¹ / ₂	5 ¹ / ₁₆
2 ¹ / ₁₆ 2 ³ / ₄ 2 ¹⁵ / ₁₆ 3	19651211 19651212 19651215 19651300	19751211 19751212 19751215 19751300	2 ¹³ / ₁₆	9 ¹ / ₈	1 ²⁵ / ₃₂	4 ³ / ₄	5 ⁷ / ₈
3 ⁷ / ₁₆ 3 ¹ / ₂	19651307 19651308	19751307 19751308	3 ²⁵ / ₆₄	10 ¹ / ₄	1 ²⁵ / ₃₂	6	6 ³ / ₈
3 ¹⁵ / ₁₆ 4	19651315 19651400	19751315 19751400	3 ³¹ / ₆₄	12 ⁹ / ₁₆	2 ¹ / ₁₆	7	8 ³ / ₈

Refer to Mounting and Dismounting Instructions on pages 121 and 122.



M3000 EVEN-LOK™ WIDE SLOT TAKE-UP

SHAFT SIZE	DIMENSIONS (INCHES)								WEIGHT LBS.
	F	G	H	J	K	M	N	T	
1 ¹⁵ / ₁₆ 2	1	¹⁵ / ₁₆	³ / ₄	3 ⁵ / ₁₆	1 ¹⁵ / ₁₆	4	4 ³ / ₄	2 ⁷ / ₁₆	12
2 ³ / ₁₆	1 ¹ / ₈	1	1	3 ⁷ / ₈	2 ¹ / ₄	4 ¹ / ₂	5 ¹ / ₄	2 ⁹ / ₁₆	16
2 ⁷ / ₁₆ 2 ¹ / ₂	1 ¹ / ₂	1 ¹ / ₁₆	1 ¹ / ₄	4 ¹ / ₄	2 ¹ / ₂	5 ¹ / ₈	6	2 ³ / ₄	21
2 ¹¹ / ₁₆ 2 ³ / ₄ 2 ¹⁵ / ₁₆ 3	1 ¹ / ₂	1 ³ / ₈	1 ¹ / ₄	4 ⁷ / ₈	2 ³ / ₄	5 ¹⁵ / ₁₆	6 ³ / ₄	3	30
3 ⁷ / ₁₆ 3 ¹ / ₂	1 ³ / ₄	1 ¹ / ₁₆	1 ⁵ / ₈	4 ⁷ / ₈	2 ⁷ / ₈	6 ¹³ / ₁₆	7 ¹³ / ₁₆	3 ⁵ / ₈	45
3 ¹⁵ / ₁₆ 4	2	2 ¹ / ₁₆	2 ¹ / ₈	6	3 ³ / ₈	8 ⁵ / ₈	9 ⁷ / ₁₆	3 ¹ / ₂	72



For personal service 800.242.4633
 CAD drawings at no additional charge
 For nomenclature see pages 240 and 241

MOLINE BEARING CO

