

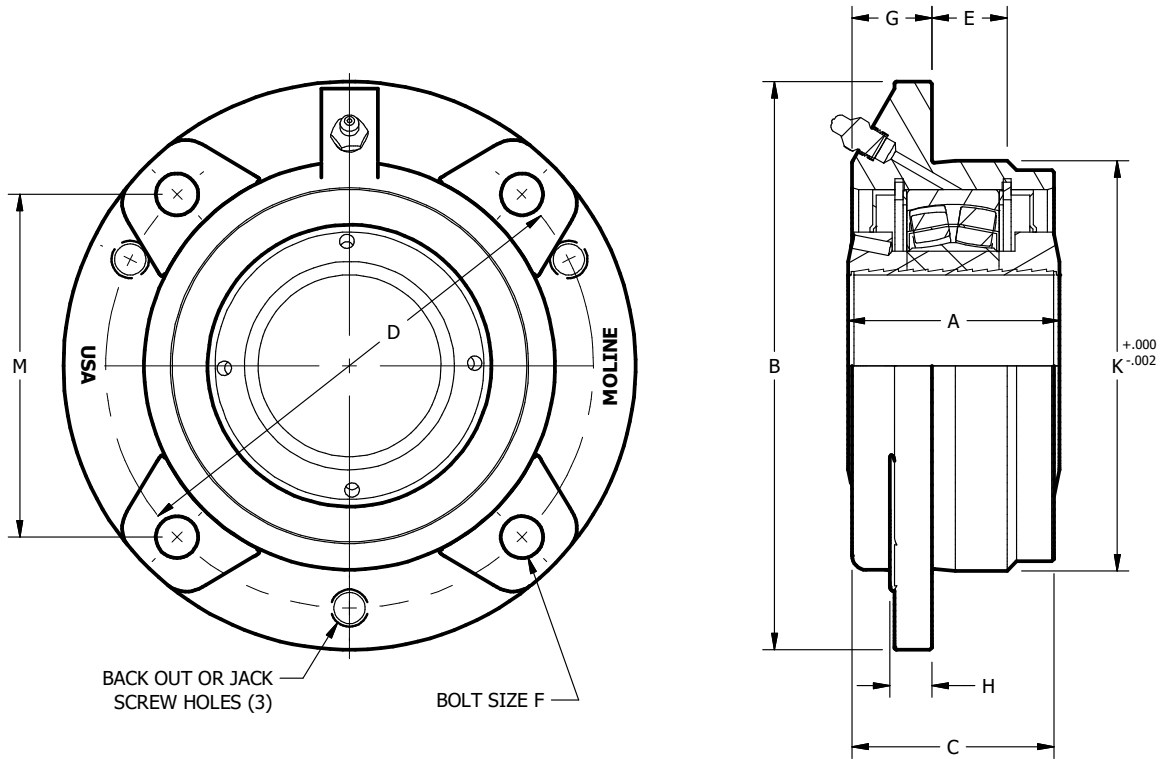
M3000 EVEN-LOK™ PILOTED FLANGE CARTRIDGE

SHAFT SIZE	MOLINE PART #		DIMENSIONS (INCHES)										WEIGHT LBS.
	EXP	NON-EXP	A	B	C	D	E	F	G	H	K	M	
1 7/16 1 1/2	19631107 19631108	19731107 19731108	2 9/16	5 1/4	2 1/16	4 3/8	1 9/32	3/8	1 3/16	1/2	3 5/8	3 3/32	7
1 11/16 1 3/4	19631111 19631112	19731111 19731112	2 9/16	6 1/8	2 3/16	5 1/8	7/8	7/16	3/4	1/2	4 1/4	3 5/8	8.5
1 15/16 2	19631115 19631200	19731115 19731200	2 9/16	6 3/8	2 3/16	5 3/8	7/8	7/16	1 1/16	1/2	4 1/2	3 51/64	10.5
2 3/16	19631203	19731203	2 19/32	7 1/8	2 7/16	6	1	1/2	1 5/16	1/2	5	4 1/4	14.5
2 7/16 2 1/2	19631207 19631208	19731207 19731208	2 13/16	7 5/8	2 11/16	6 1/2	1	1/2	1 1/16	5/8	5 1/2	4 19/32	16
2 11/16 2 3/4 2 15/16 3	19631211 19631212 19631215 19631300	19731211 19731212 19731215 19731300	2 13/16	8 3/4	2 13/16	7 1/2	1 1/4	5/8	1	3/4	6 3/8	5 19/64	22
3 7/16 3 1/2	19631307 19631308	19731307 19731308	3 25/64	10 1/4	3 1/4	8 5/8	1 1/4	3/4	1 1/2	1 5/16	7 3/8	6 3/32	33
3 15/16 4	19631315 19631400	19731315 19731400	3 31/64	10 7/8	3 9/16	9 3/8	1 1/2	3/4	1 7/16	1 1/16	8 1/8	6 5/8	45
4 7/16	19631407	19731407	3 7/8	13 1/2	4	11 3/4	1 1/2	3/4	2	1	10 1/4	5 7/8	67
4 15/16	19631415	19731415	4 7/8	14 3/4	4 3/8	12 3/4	1 3/4	7/8	1 7/8	1 1/4	11	6 3/8	93

Refer to Mounting and Dismounting Instructions on pages 121 and 122.



M3000 EVEN-LOK™ PILOTED FLANGE CARTRIDGE



For personal service 800.242.4633
 CAD drawings at no additional charge
 For nomenclature see pages 240 and 241

MOLINE BEARING CO.

