

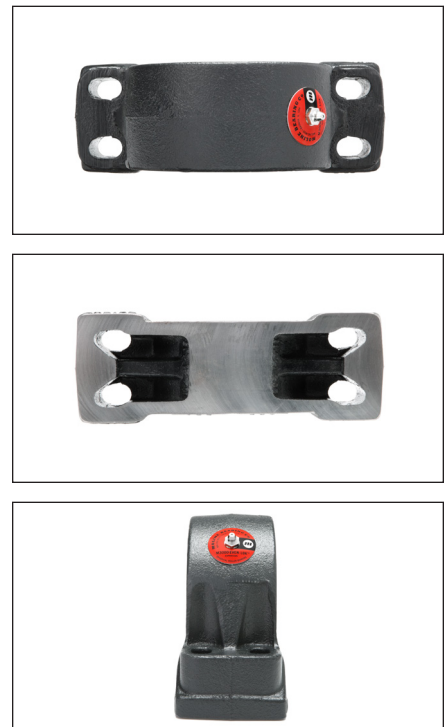
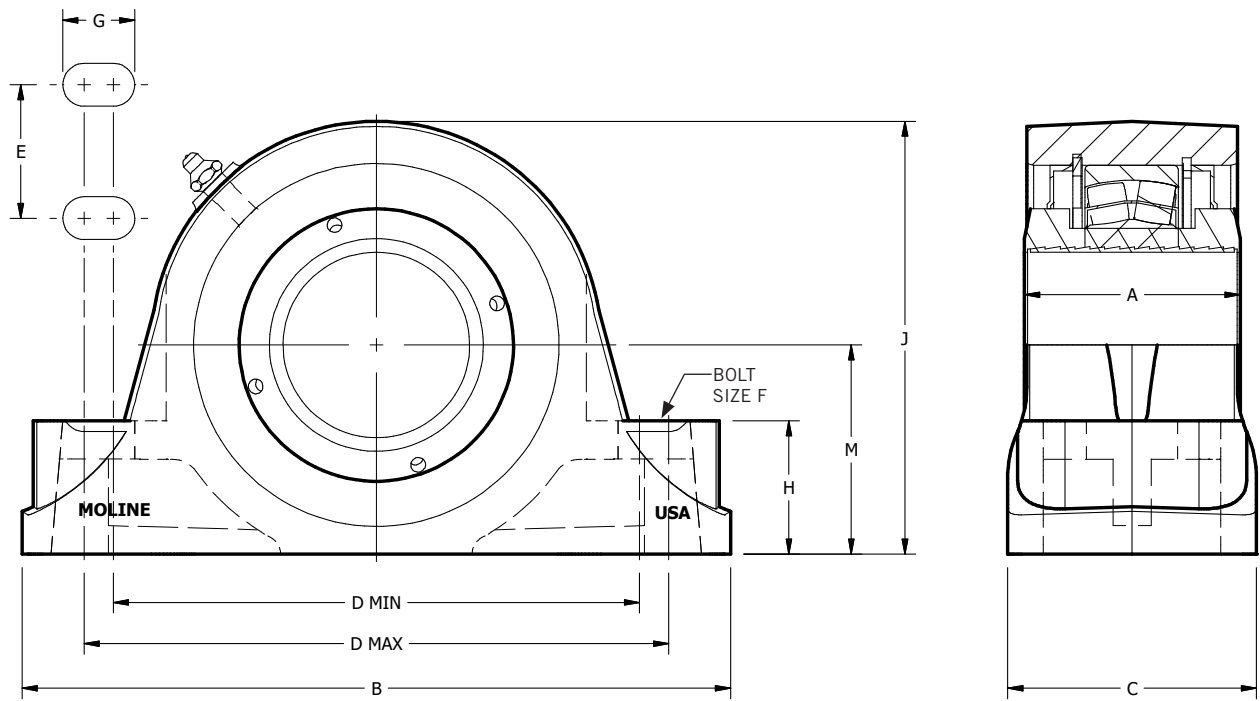
M3000 EVEN-LOK™ 4-BOLT PILLOW BLOCK

SHAFT SIZE	MOLINE PART #		DIMENSIONS (INCHES)											WT. LBS.	
	EXP	NON-EXP	A	B	C	MIN D	CENTER TO CENTER D	MAX D	E	F	G	H	J		M
2 ⁷ / ₁₆ 2 ¹ / ₂	19641207 19641208	19741207 19741208	2 ¹³ / ₁₆	9 ¹ / ₄	3 ³ / ₄	6 ⁷ / ₈	7 ¹ / ₄	7 ⁵ / ₈	1 ³ / ₄	1/2	1 ⁵ / ₁₆	1 ³ / ₄	5 ¹¹ / ₁₆	2 ³ / ₄	17
2 ¹¹ / ₁₆ 2 ³ / ₄ 2 ¹⁵ / ₁₆ 3	19641211 19641212 19641215 19641300	19741211 19741212 19741215 19741300	2 ¹³ / ₁₆	10 ¹ / ₂	3 ³ / ₄	7 ⁷ / ₈	8 ¹ / ₈	8 ³ / ₈	1 ⁷ / ₈	5/8	1 ⁵ / ₁₆	2 ¹ / ₄	6 ⁷ / ₁₆	3 ¹ / ₄	26
3 ⁷ / ₁₆ 3 ¹ / ₂	19641307 19641308	19741307 19741308	3 ²⁵ / ₆₄	13	3 ⁷ / ₈	9 ¹ / ₄	10	10 ³ / ₄	2	3/4	1 ⁹ / ₁₆	2 ¹ / ₄	7 ¹ / ₂	3 ³ / ₄	38
3 ¹⁵ / ₁₆ 4	19641315 19641400	19741315 19741400	3 ³¹ / ₆₄	15 ¹ / ₄	4 ¹ / ₂	11	12	13	2 ¹ / ₄	3/4	1 ¹³ / ₁₆	2 ⁵ / ₈	8 ¹ / ₂	4 ¹ / ₄	50
4 ⁷ / ₁₆	19641407	19741407	3 ⁷ / ₈	16 ¹ / ₂	4 ³ / ₄	13	13 ¹ / ₂	14	2 ¹ / ₂	3/4	1 ⁵ / ₁₆	2 ³ / ₄	9 ¹ / ₂	4 ³ / ₄	72
4 ¹⁵ / ₁₆	19641415	19741415	4 ⁵ / ₈	18 ⁵ / ₈	5 ³ / ₈	15	15 ¹ / ₂	16	2 ³ / ₄	7/8	1 ¹ / ₂	3	11 ¹ / ₈	5 ¹ / ₂	107

Refer to Mounting and Dismounting Instructions on pages 121 and 122.



M3000 EVEN-LOK™ 4-BOLT PILLOW BLOCK



For personal service 800.242.4633
 CAD drawings at no additional charge
 For nomenclature see pages 240 and 241

MOLINE BEARING CO

