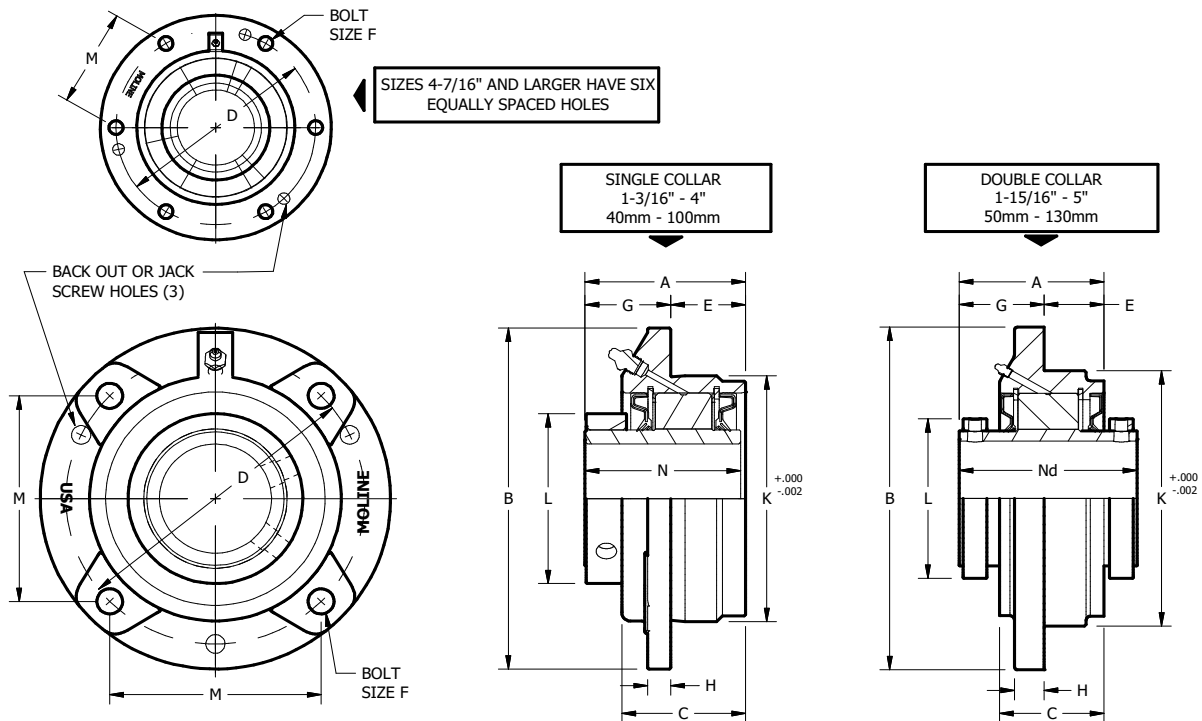


M2000 PILOTED FLANGE CARTRIDGE, SINGLE AND DOUBLE COLLAR

SHAFT SIZE	MOLINE PART #		DIMENSIONS (INCHES)					
	EXP	NON-EXP	A	B	C	D	E	F
1 3/16	19131103	19231103	2 13/16	5 1/4	2 1/16	4 3/8	1 9/32	3/8
1 1/4	19131104	19231104						
1 7/16	19131107	19231107						
1 1/2	19131108	19231108						
1 11/16	19131111	19231111	3	6 1/8	2 3/16	5 1/8	7/8	7/16
1 3/4	19131112	19231112						
40mm	19131040	19231040						
45mm	19131045	19231045						
1 15/16	19131115	19231115	3	6 3/8	2 3/16	5 3/8	7/8	7/16
2	19131200	19231200						
50mm	19131050	19231050						
2 3/16	19131203	19231203	3 1/4	7 1/8	2 7/16	6	1	1/2
2 1/4	19131204	19231204						
55mm	19131055	19231055						
2 7/16	19131207	19231207	3 1/2	7 5/8	2 11/16	6 1/2	1	1/2
2 1/2	19131208	19231208						
60mm	19131060	19231060						
65mm	19131065	19231065						

Single Collar Assembled with SKF™ Spherical Roller Bearings. Double Collar Assembled with Timken™ Spherical Roller Bearings.



M2000 SPHERICALS

M2000 PILOTED FLANGE CARTRIDGE, SINGLE AND DOUBLE COLLAR

SHAFT SIZE	DIMENSIONS (INCHES)							WEIGHT LBS.
	G	H	K	L	M	N SINGLE	Nd DOUBLE	
1 3/16 1 1/4 1 7/16 1 1/2	1 9/16	1/2	3 5/8	2 1/2	3 3/32	2 3/4	----	7
1 11/16 1 3/4 40mm 45mm	1 9/16	1/2	4 1/4	2 5/8	3 5/8	2 7/8	----	8.5
1 15/16 2 50mm	1 1/2	1/2	4 1/2	2 7/8	3 51/64	2 7/8	3 3/4	10.5
2 3/16 2 1/4 55mm	1 25/32	1/2	5	3 1/4	4 1/4	3 1/8	4	14.5
2 7/16 2 1/2 60mm 65mm	1 7/8	5/8	5 1/2	4	4 19/32	3 3/8	4 5/16	16

Starting at Sizes 1 15/16 add Suffix "D" Suffix "D" to part number for Double Collar Spherical assembly.



M2000
SPHERICALS

For personal service 800.242.4633
CAD drawings at no additional charge
For nomenclature see pages 240 and 241

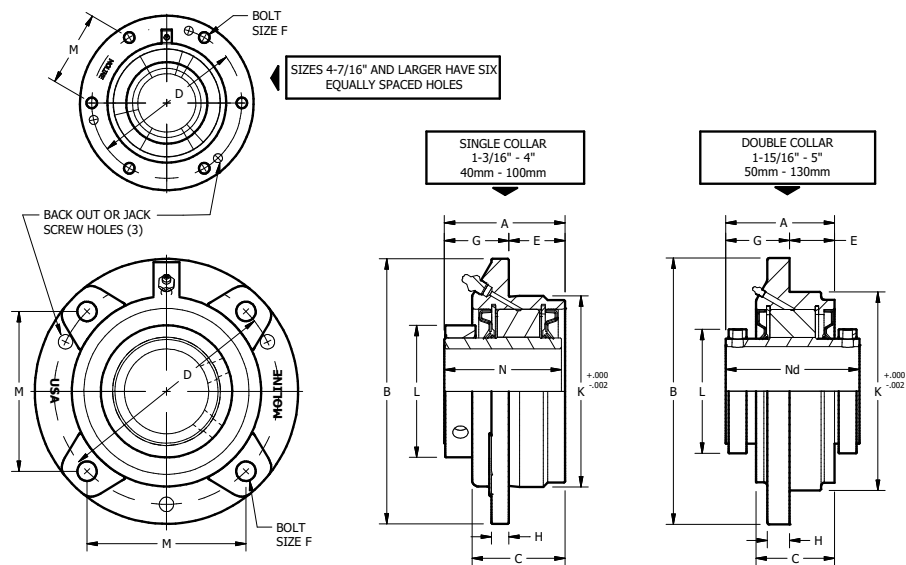
MOLINE BEARING CO



M2000 PILOTED FLANGE CARTRIDGE, SINGLE AND DOUBLE COLLAR

SHAFT SIZE	MOLINE PART #		DIMENSIONS (INCHES)					
	EXP	NON-EXP	A	B	C	D	E	F
2 1/16	19131211	19231211	3 13/16	8 3/4	2 13/16	7 1/2	1 1/4	5/8
2 3/4	19131212	19231212						
2 15/16	19131215	19231215						
3	19131300	19231300						
70mm	19131070	19231070						
75mm	19131075	19231075						
3 3/16	19131303	19231303	4 1/4	10 1/4	3 1/4	8 5/8	1 1/4	3/4
3 7/16	19131307	19231307						
3 1/2	19131308	19231308						
80mm	19131080	19231080						
85mm	19131085	19231085						
90mm	19131090	19231090						
3 11/16	19131311	19231311	4 3/4	10 7/8	3 9/16	9 3/8	1 1/2	3/4
3 15/16	19131315	19231315						
4	19131400	19231400						
100mm	19131100	19231100						
4 7/16	19131407	19231407	5 5/32	13 1/2	4	11 3/4	1 1/2	3/4
4 1/2	19131408	19231408						
110mm	19131110	19231110						
115mm	19131115M	19231115M						
4 15/16	19131415	19231415	6 1/16	14 3/4	5 3/4	12 3/4	1 3/4	7/8
5	19131500	19231500						
125mm	19131125	19231125						
130mm	19131130	19231130						

Single Collar Assembled with SKF™ Spherical Roller Bearings. Double Collar Assembled with Timken™ Spherical Roller Bearings.



M2000 PILOTED FLANGE CARTRIDGE, SINGLE AND DOUBLE COLLAR

SHAFT SIZE	DIMENSIONS (INCHES)							WEIGHT LBS.
	G	H	K	L	M	N SINGLE	Nd DOUBLE	
2 1 ¹ / ₁₆ 2 3 ⁴ / ₁₆ 2 15 ¹ / ₁₆ 3 70mm 75mm	2	3 ⁴ / ₁₆	6 3 ⁸ / ₁₆	4 3 ⁸ / ₁₆	5 19 ¹ / ₆₄	3 5 ⁸ / ₁₆	4 3 ⁴ / ₁₆	22
3 3 ¹ / ₁₆ 3 7 ¹ / ₁₆ 3 1 ² / ₁₆ 80mm 85mm 90mm	2 1 ² / ₁₆	15 ¹ / ₁₆	7 3 ⁸ / ₁₆	5 1 ⁸ / ₁₆	6 3 ³ / ₃₂	4 1 ¹ / ₃₂	5 3 ¹ / ₁₆	33
3 11 ¹ / ₁₆ 3 15 ¹ / ₁₆ 4 100mm	2 5 ⁸ / ₁₆	1 1 ¹ / ₁₆	8 1 ⁸ / ₁₆	6	6 5 ⁸ / ₁₆	4 19 ¹ / ₃₂	5 15 ¹ / ₁₆	45
4 7 ¹ / ₁₆ 4 1 ² / ₁₆ 110mm 115mm	3 3 ¹ / ₁₆	1	10 1 ⁴ / ₁₆	6 1 ⁸ / ₁₆	5 7 ⁸ / ₁₆	----	6 1 ⁴ / ₁₆	72
4 15 ¹ / ₁₆ 5 125mm 130mm	3 9 ¹ / ₁₆	1 1 ⁴ / ₁₆	11	6 7 ⁸ / ₁₆	6 3 ⁸ / ₁₆	----	7 7 ¹ / ₁₆	99

M2000
SPHERICALS



For personal service 800.242.4633
CAD drawings at no additional charge
For nomenclature see pages 240 and 241

MOLINE BEARING C°

