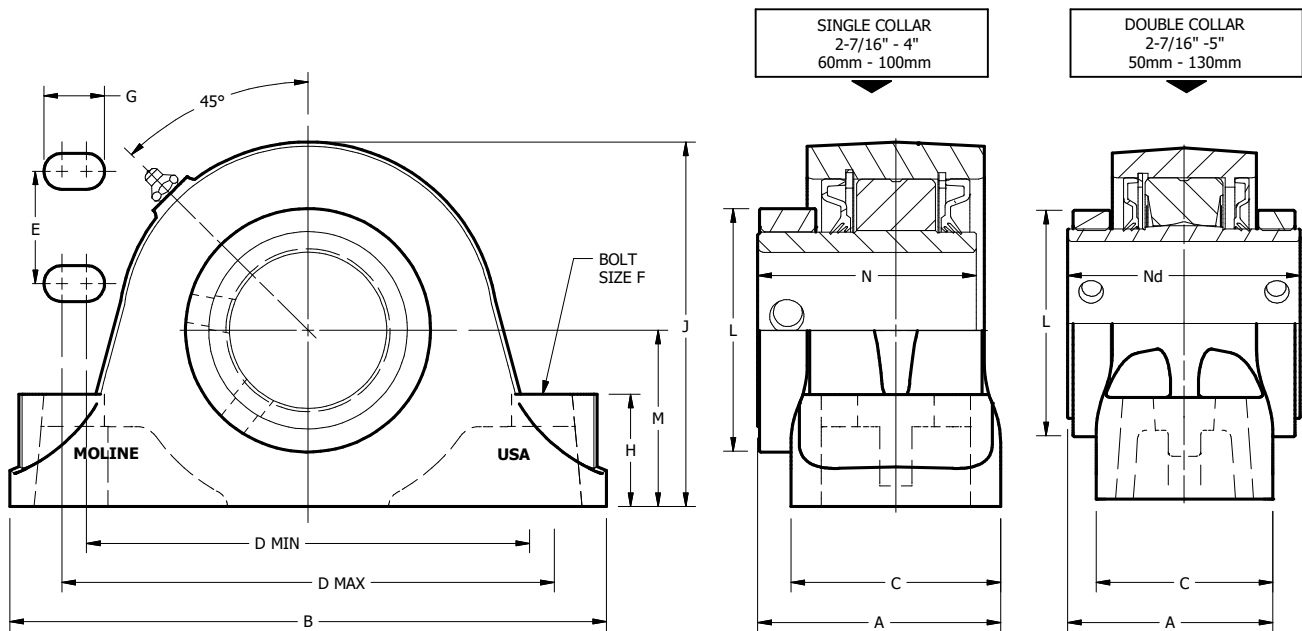


M2000 4-BOLT PILLOW BLOCK, SINGLE AND DOUBLE COLLAR

SHAFT SIZE	MOLINE PART #		DIMENSIONS (INCHES)						
	EXP	NON-EXP	A	B	C	MIN D	CENTER TO CENTER D	MAX D	E
2 7/16	19141207	19241207	3 3/4	9 1/4	3 1/4	6 7/8	7 1/4	7 5/8	1 3/4
2 1/2	19141208	19241208							
60mm	19141060	19241060							
65mm	19141065	19241065							
2 11/16	19141211	19241211	4 1/4	10 1/2	3 3/4	7 7/8	8 1/8	8 3/8	1 7/8
2 3/4	19141212	19241212							
2 15/16	19141215	19241215							
3	19141300	19241300							
70mm	19141070	19241070							
75mm	19141075	19241075							
3 3/16	19141303	19241303	4 9/16	13	3 7/8	9 1/4	10	10 3/4	2
3 7/16	19141307	19241307							
3 1/2	19141308	19241308							
80mm	19141080	19241080							
85mm	19141085	19241085							
90mm	19141090	19241090							

Starting at Sizes 2 7/16 add Suffix "D" to part number for Double Collar Spherical assembly.
Assembled with Timken™ Spherical Roller Bearings.



M2000 SPHERICALS

M2000 4-BOLT PILLOW BLOCK, SINGLE AND DOUBLE COLLAR

SHAFT SIZE	DIMENSIONS (INCHES)								WEIGHT LBS.
	F	G	H	J	L	M	N SINGLE	Nd DOUBLE	
2 7/16 2 1/2 60mm 65mm	1/2	15/16	1 3/4	5 11/16	4	2 3/4	3 3/8	4 5/16	17
2 11/16 2 3/4 2 15/16 3 70mm 75mm	5/8	15/16	2 1/4	6 7/16	4 3/8	3 1/4	3 5/8	4 3/4	26
3 3/16 3 7/16 3 1/2 80mm 85mm 90mm	3/4	1 9/16	2 1/4	7 1/2	5 1/8	3 3/4	4 1/32	5 3/16	38



M2000 SPHERICALS

For personal service 800.242.4633
CAD drawings at no additional charge
For nomenclature see pages 240 and 241

MOLINE BEARING CO

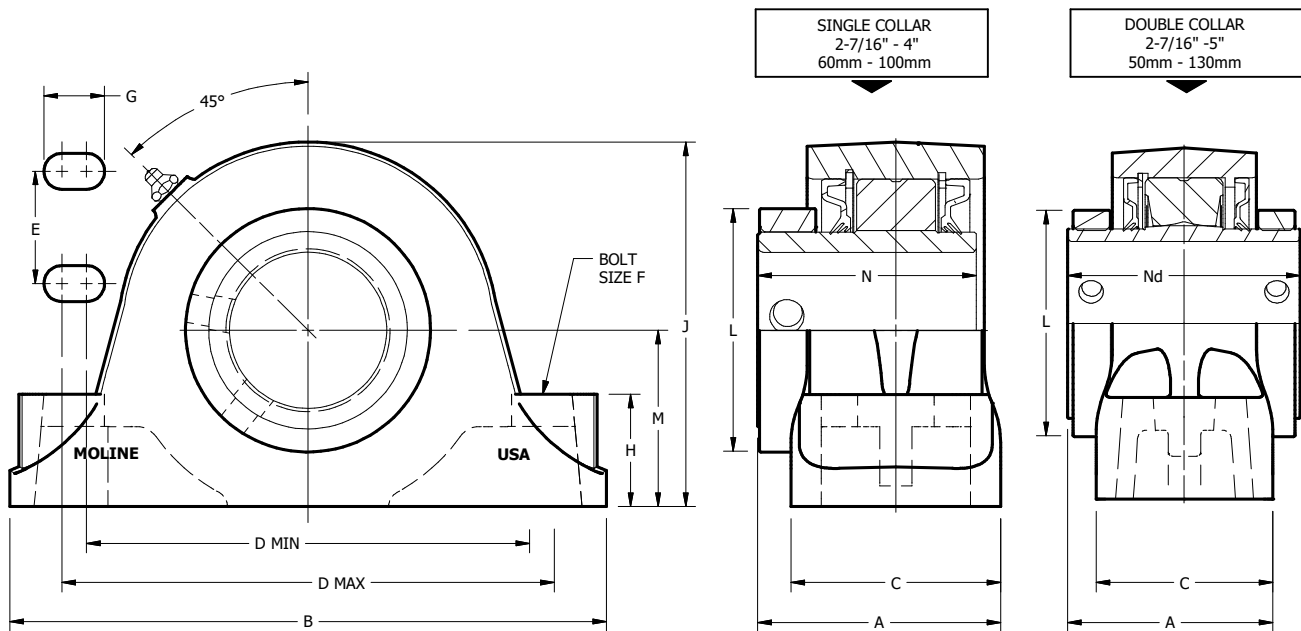


M2000 4-BOLT PILLOW BLOCK, SINGLE AND DOUBLE COLLAR

SHAFT SIZE	MOLINE PART #		DIMENSIONS (INCHES)						
	EXP	NON-EXP	A	B	C	MIN D	CENTER TO CENTER D	MAX D	E
3 1/16	19141311	19241311	5 1/4	15 1/4	4 1/2	11	12	13	2 1/4
3 15/16	19141315	19241315							
4	19141400	19241400							
100mm	19141100	19241100							
4 7/16	19141407	19241407	5 1/2	16 1/2	4 3/4	13	13 1/2	14	2 1/2
4 1/2	19141408	19241408							
110mm	19141110	19241110							
115mm	19141115	19241115							
4 15/16	19141415	19241415	6 1/16	18 5/8	5 3/8	15	15 1/2	16	2 3/4
5	19141500	19241500							
125mm	19141125	19241125							
130mm	19141130	19241130							

Starting at Sizes 2 7/16 add Suffix "D" to part number for Double Collar Spherical assembly.
Assembled with Timken™ Spherical Roller Bearings.

M2000 SPHERICALS



M2000 4-BOLT PILLOW BLOCK, SINGLE AND DOUBLE COLLAR

SHAFT SIZE	DIMENSIONS (INCHES)								WEIGHT LBS.
	F	G	H	J	L	M	N SINGLE	Nd DOUBLE	
$3\frac{1}{16}$ $3\frac{15}{16}$ 4 100mm	$\frac{3}{4}$	$1\frac{13}{16}$	$2\frac{5}{8}$	$8\frac{1}{2}$	6	$4\frac{1}{4}$	$4\frac{19}{32}$	$5\frac{15}{16}$	50
$4\frac{7}{16}$ $4\frac{1}{2}$ 110mm 115mm	$\frac{3}{4}$	$1\frac{5}{16}$	$2\frac{3}{4}$	$9\frac{1}{2}$	$6\frac{1}{8}$	$4\frac{3}{4}$	----	$6\frac{1}{4}$	72
$4\frac{15}{16}$ 5 125mm 130mm	$\frac{7}{8}$	$1\frac{1}{2}$	3	$11\frac{1}{8}$	$6\frac{7}{8}$	$5\frac{1}{2}$	----	$7\frac{7}{16}$	107



M2000 SPHERICALS

For personal service 800.242.4633
 CAD drawings at no additional charge
 For nomenclature see pages 240 and 241

MOLINE BEARING CO

