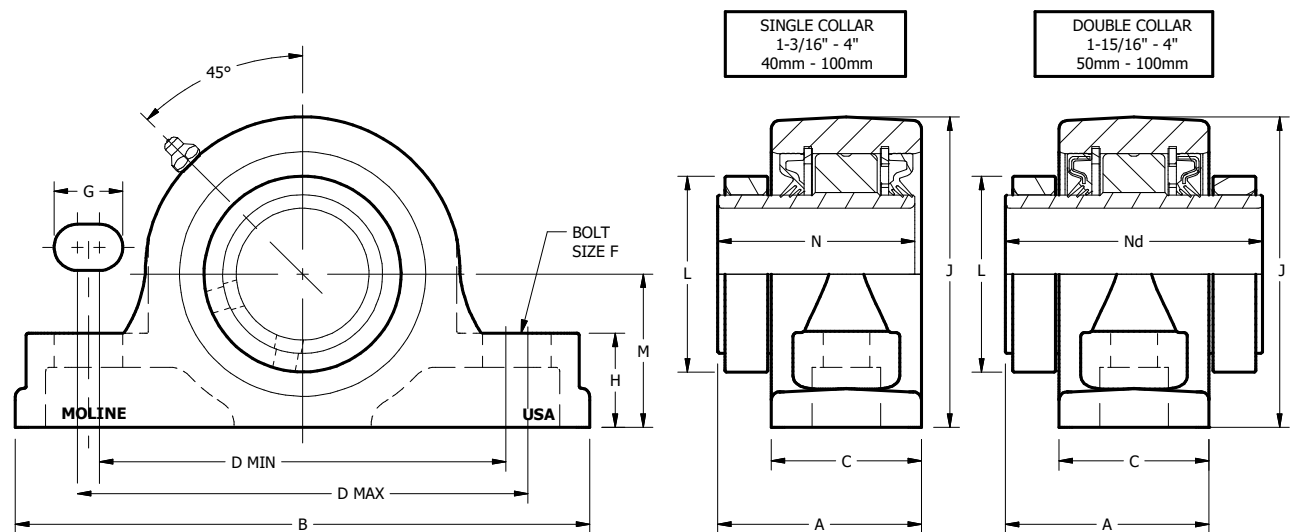


# M2000 2-BOLT PILLOW BLOCK, SINGLE AND DOUBLE COLLAR

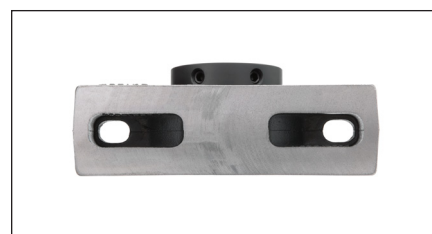
SHAFT SIZE	MOLINE PART #		DIMENSIONS (INCHES)					
	EXP	NON-EXP	A	B	C	MIN D	CENTER TO CENTER D	MAX D
1 3/16	19121103	19221103	2 7/8	6 7/8	2 3/16	4 11/16	5	5 5/16
1 1/4	19121104	19221104						
1 7/16	19121107	19221107						
1 1/2	19121108	19221108						
1 11/16	19121111	19221111	3	7 3/8	2 3/16	5 3/16	5 1/2	5 13/16
1 3/4	19121112	19221112						
40mm	19121040	19221040						
45mm	19121045	19221045						
1 15/16	19121115	19221115	3	8 3/8	2 3/16	5 15/16	6 1/4	6 9/16
2	19121200	19221200						
50mm	19121050	19221050						
2 3/16	19121203	19221203	3 1/4	8 7/8	2 1/2	6 7/16	6 3/4	7 1/16
2 1/4	19121204	19221204						
55mm	19121055	19221055						
2 7/16	19121207	19221207	3 1/2	9 1/4	2 3/4	6 13/16	7 1/8	7 7/16
2 1/2	19121208	19221208						
60mm	19121060	19221060						
65mm	19121065	19221065						

Starting at Sizes 1 15/16 add Suffix "D" to part number for Double Collar Spherical assembly.  
Assembled with Timken™ Spherical Roller Bearings.



# M2000 2-BOLT PILLOW BLOCK, SINGLE AND DOUBLE COLLAR

SHAFT SIZE	DIMENSIONS (INCHES)								WEIGHT LBS.
	F	G	H	J	L	M	N SINGLE	Nd DOUBLE	
1 3/16 1 1/4 1 7/16 1 1/2	1/2	15/16	1 3/16	3 7/8	2 1/2	1 7/8	2 3/4	----	6.5
6.5									
6.9									
6.9									
1 11/16 1 3/4 40mm 45mm	1/2	15/16	1 5/16	4 1/4	2 5/8	2 1/8	2 7/8	----	8.1
8.1									
8.1									
8.1									
1 15/16 2 50mm	5/8	1	1 3/8	4 9/16	2 7/8	2 1/4	2 7/8	3 3/4	9.1
9.1									
9.1									
9.1									
2 3/16 2 1/4 55mm	5/8	1	1 5/8	5	3 1/4	2 1/2	3 1/8	4	11.8
11.8									
11.8									
11.8									
2 7/16 2 1/2 60mm 65mm	5/8	1	1 3/4	5 11/16	4	2 3/4	3 3/8	4 5/16	16.2
16.2									
16.2									
16.2									



M2000 SPHERICALS

For personal service 800.242.4633  
 CAD drawings at no additional charge  
 For nomenclature see pages 240 and 241

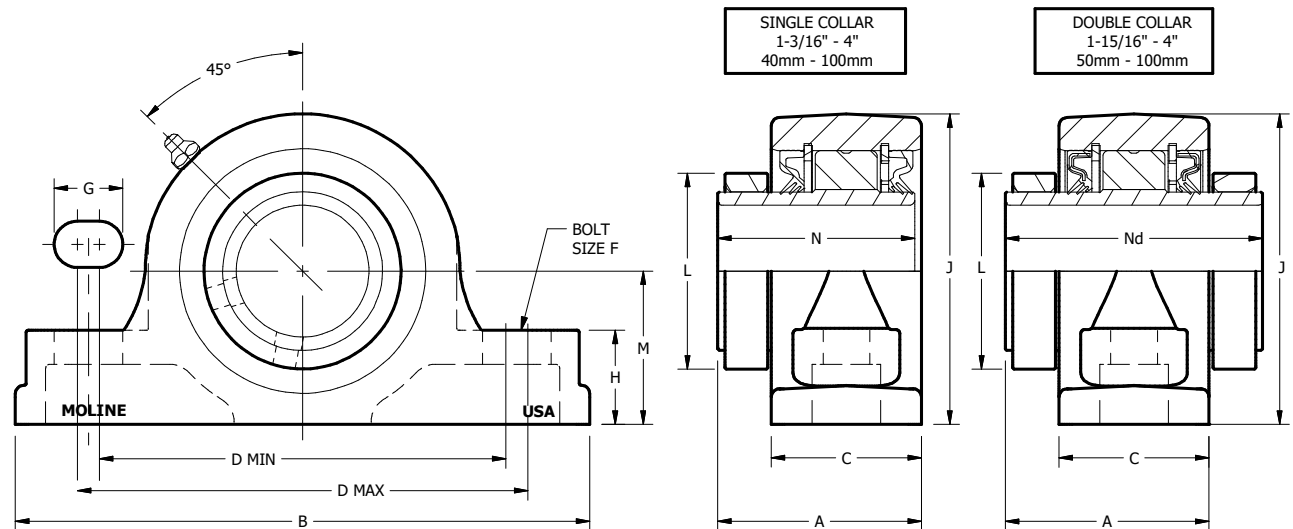
**MOLINE BEARING CO**



# M2000 2-BOLT PILLOW BLOCK, SINGLE AND DOUBLE COLLAR

SHAFT SIZE	MOLINE PART #		DIMENSIONS (INCHES)					
	EXP	NON-EXP	A	B	C	MIN D	CENTER TO CENTER D	MAX D
2 1/16	19121211	19221211	3 13/16	10 1/2	2 13/16	7 13/16	8 1/8	8 7/16
2 3/4	19121212	19221212						
2 15/16	19121215	19221215						
3	19121300	19221300						
70mm	19121070	19221070						
75mm	19121075	19221075						
3 3/16	19121303	19221303	4 1/4	13	3 1/4	9 1/2	10	10 1/2
3 7/16	19121307	19221307						
3 1/2	19121308	19221308						
80mm	19121080	19221080						
85mm	19121085	19221085						
90mm	19121090	19221090						
3 11/16	19121311	19221311	4 3/4	14 1/2	3 9/16	10	10 7/8	11 3/4
3 15/16	19121315	19221315						
4	19121400	19221400						
100mm	19121100	19221100						

Starting at Sizes 1 15/16 add Suffix "D" to part number for Double Collar Spherical assembly.  
Assembled with Timken™ Spherical Roller Bearings.



# M2000 2-BOLT PILLOW BLOCK, SINGLE AND DOUBLE COLLAR

SHAFT SIZE	DIMENSIONS (INCHES)								WEIGHT LBS.
	F	G	H	J	L	M	N SINGLE	Nd DOUBLE	
2 1/16 2 3/4 2 15/16 3 70mm 75mm	3/4	1 1/8	2 1/4	6 7/16	4 3/8	3 1/4	3 5/8	4 3/4	22.1
3 3/16 3 7/16 3 1/2 80mm 85mm 90mm	7/8	1 7/16	2 1/4	7 1/2	5 1/8	3 3/4	4 1/32	5 3/16	31.6
3 11/16 3 15/16 4 100mm	1	1 15/16	2 1/2	8 3/8	6	4 1/8	4 19/32	5 15/16	45



M2000 SPHERICALS

For personal service 800.242.4633  
 CAD drawings at no additional charge  
 For nomenclature see pages 240 and 241

**MOLINE BEARING CO**

