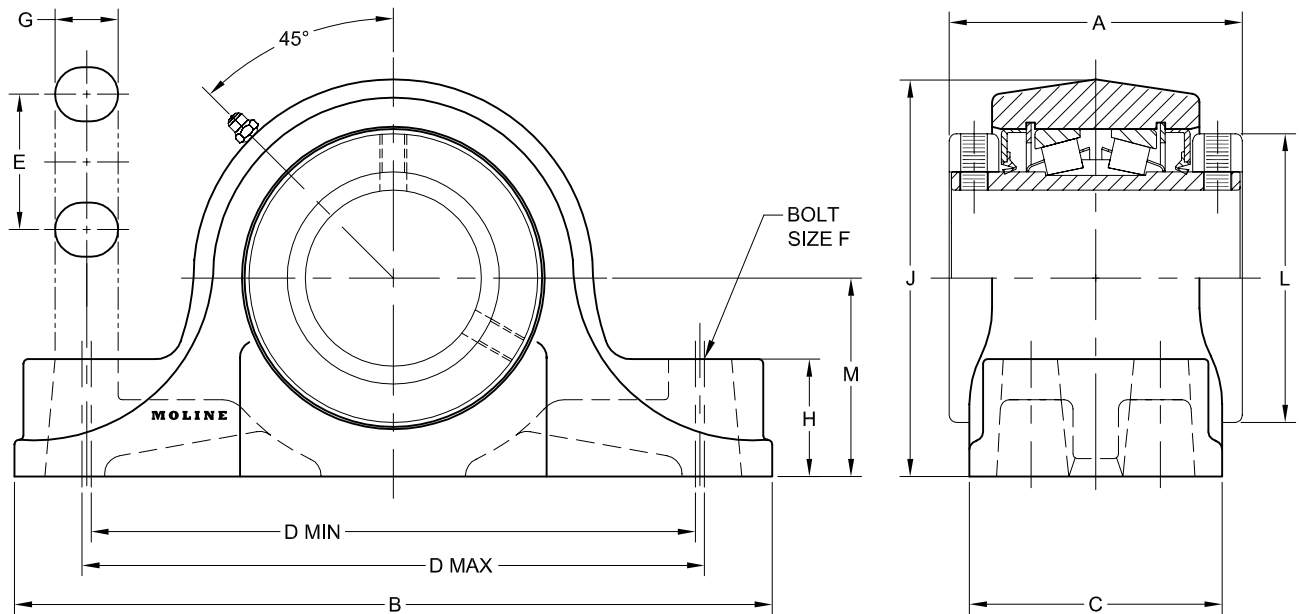


TYPE E 4-BOLT PILLOW BLOCK CONTINUED

SHAFT SIZE	MOLINE PART #	DIMENSIONS (INCHES)													WEIGHT LBS.
		A	B	C	MIN D	CENTER TO CENTER D	MAX D	E	F	G	H	J	L	M	
4 ⁷ / ₁₆ 4 ¹ / ₂ 110mm 115mm	19341407 19341408 19341110 19341115	6 ³ / ₄	16 ⁵ / ₈	4 ⁵ / ₈	13 ¹ / ₄	13 ¹ / ₂	13 ³ / ₄	2 ¹ / ₂	³ / ₄	1 ¹ / ₈	2 ³ / ₄	9 ³ / ₈	6 ¹ / ₄	4 ³ / ₄	81
4 ¹⁵ / ₁₆ 5 125mm	19341415 19341500 19341125	7 ¹ / ₄	18 ¹ / ₂	5 ¹ / ₈	15 ¹ / ₄	15 ¹ / ₂	15 ³ / ₄	2 ⁷ / ₈	⁷ / ₈	1 ¹ / ₄	3	10 ⁷ / ₈	7 ¹ / ₄	5 ¹ / ₂	132
5 ⁷ / ₁₆ 5 ¹⁵ / ₁₆ 6 130mm 135mm 140mm	19341507 19341515 19341600 19341130 19341135 19341140	9	22	6 ¹ / ₄	17 ³ / ₈	18 ¹ / ₄	19 ¹ / ₈	3 ³ / ₄	1	2	3 ¹ / ₄	13 ³ / ₁₆	9 ³ / ₈	6 ¹¹ / ₁₆	243
6 ⁷ / ₁₆ 6 ¹ / ₂ 6 ¹⁵ / ₁₆ 7 160mm 170mm	19341607 19341608 19341615 19341700 19341160 19341170	10 ¹ / ₂	26	7 ¹ / ₈	21 ¹ / ₄	22 ¹ / ₄	23 ¹ / ₄	4 ⁵ / ₈	1	2 ¹ / ₈	3 ¹¹ / ₁₆	15	10 ⁷ / ₈	7 ¹ / ₂	355



TYPE E 4-BOLT PILLOW BLOCK CONTINUED



For personal service and special requests, please call us at 800.242.4633.
 CAD drawings available upon request at no additional charge.
Furnished in non-expansion type only.

For nomenclature see pages 190 and 191.