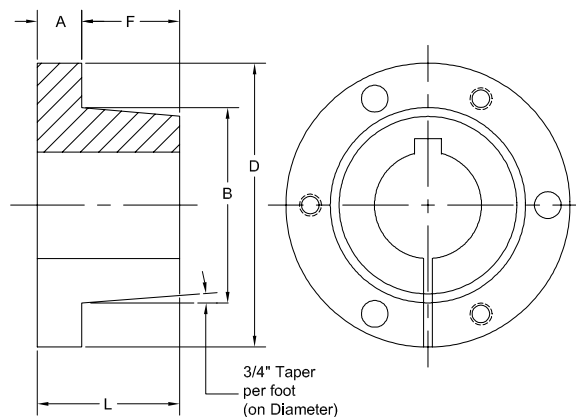


# QD BUSHING DIMENSIONS

QD BUSHING	A	B	D	F	L	BOLT CIRCLE DIA	NUMBER & SIZE OF CAP SCREWS REQUIRED	BUSHING BORE DIAMETER				AVG WGT (APPROX)
								MINIMUM BORE	KEYWAY - MAXIMUM BORE			
									FULL	SHALLOW	NO KEYWAY	
JA	5/16	1 3/8	2	9/16	1	1.66	3 - (10-24x1)	1/2	1	1 3/16	1 1/4	0.9
SH	7/16	1 7/8	2 5/8	3/4	1 5/16	2 1/4	3 - (1/4-20x1 3/8)	1/2	1 3/8	1-5/8	1 11/16	1.0
SDS	7/16	2 3/16	3 1/8	3/4	1 5/16	2 11/16	3 - (1/4-20x1 3/8)	1/2	1 5/8	1 15/16	2	1.0
SD	7/16	2 3/16	3 1/8	1 1/4	1 13/16	2 11/16	3 - (1/4-20x1 7/8)	1/2	1 5/8	1 15/16	2	1.5
SK	9/16	2 3/16	3 7/8	1 1/4	1 15/16	3 5/16	3 - (5/16-18x2)	1/2	2 1/8	2 1/2	2 5/8	2.0
SF	5/8	3 1/8	4 5/8	1 1/4	2 1/16	3 7/8	3 - (3/8-16x2)	1/2	2 5/16	2 13/16	2 15/16	3.0
E	7/8	3.834	6	1 5/8	2 3/4	5	3 - (1/2-13x2 3/4)	7/8	2 7/8	3 1/2	----	10.0
F	1	4 7/16	6 5/8	2 1/2	3 3/4	5 5/8	3 - (9/16-12x3 5/8)	1	3 15/16	3 15/16	4	11.5
J	1 1/8	5 9/64	7 1/4	3 3/16	4 5/8	6 1/4	3 - (5/8x4 1/2)	1 1/2	3 3/4	4 1/2	----	18.0
M	1 1/4	6 1/2	9	5 3/16	6 3/4	7 7/8	4 - (3/4x6 3/4)	2	4 3/4	5 1/2	----	46.0
N	1 1/2	7	10	6 1/4	8 1/8	8 1/2	4 - (7/8x8)	2 7/16	5	5 7/8	----	70.0
P	1 3/4	8 1/4	11 3/4	7 1/4	9 3/8	10	4 - (1x9 1/2)	2 15/16	5 15/16	7	----	133.0



**MOLINE BEARING CO.**

Post Office Box 99, Batavia, Illinois 60510, USA  
 630.584.4600, 800.242.4633, 630.584.1999 fax  
 www.molinebearing.com, sales@molinebearing.com

TEL # **800.242.4633**

169

# QD BUSHINGS STOCK BORES AND KEYWAYS

BORE	BUSHING KEYWAY	SHAFT KEYSEAT	QD BUSHINGS STOCKED
1/2	1/8 x 1/16	1/8 x 1/16	JA SH SDS SD SK SF
9/16	1/8 x 1/16	1/8 x 1/16	JA SH SDS SD SK SF
5/8	3/16 x 3/32	3/16 x 3/16	JA SH SDS SD SK SF
11/16	3/16 x 3/32	3/16 x 3/16	JA SH SDS SD SK SF
3/4	3/16 x 3/32	3/16 x 3/16	JA SH SDS SD SK SF
13/16	3/16 x 3/32	3/16 x 3/16	JA SH SDS SD SK SF
7/8	3/16 x 3/32	3/16 x 3/16	JA SH SDS SD SK SF E
15/16	1/4 x 1/8	1/4 x 1/8	JA SH SDS SD SK SF E
1	1/4 x 1/8	1/4 x 1/8	JA SH SDS SD SK SF E F
1 1/16	1/4 x 1/16*	1/4 x 1/8	JA
1 1/4	1/4 x 1/8	1/4 x 1/8	SH SDS SD SK SF
1 1/8	1/4 x 1/16*	1/4 x 1/8	JA
1 1/8	1/4 x 1/8	1/4 x 1/8	SH SDS SD SK SF E F
1 3/16	1/4 x 1/16*	1/4 x 1/8	JA
1 3/16	1/4 x 1/8	1/4 x 1/8	SH SDS SD SK SF E F
1 1/4	NONE	NONE	JA
1 1/4	1/4 x 1/8	1/4 x 1/8	SH SDS SD SK SF E F
1 5/16	5/16 x 5/32	5/16 x 5/32	SH SDS SD SK SF E F
1 3/8	5/16 x 5/32	5/16 x 5/32	SH SDS SD SK SF E F
1 3/8	3/8 x 3/16	5/16 x 5/32	SH SF E
1 3/8	5/16 x 3/16	5/16 x 3/16	SF
1 7/16	3/8 x 1/16*	3/8 x 3/16	SH
1 7/16	3/8 x 3/16	3/8 x 3/16	SDS SD SK SF E F
1 1/2	3/8 x 1/16	3/8 x 3/16	SH
1 1/2	3/8 x 3/16	3/8 x 3/16	SDS SD SK SF E F
1 9/16	3/8 x 1/16	3/8 x 3/16	SH
1 9/16	3/8 x 3/16	3/8 x 3/16	SDS SD SK SF E F
1 5/8	3/8 x 1/16*	3/8 x 3/16	SH
1 5/8	3/8 x 3/16	3/8 x 3/16	SDS SD SK SF E F
1 11/16	NONE	NONE	SH
1 11/16	3/8 x 1/8*	3/8 x 3/16	SDS SD
1 11/16	3/8 x 3/16	3/8 x 3/16	SK SF E F

BORE	BUSHING KEYWAY	SHAFT KEYSEAT	QD BUSHINGS STOCKED
1 3/4	3/8 x 1/8*	3/8 x 3/16	SDS SD
1 3/4	3/8 x 3/16	3/8 x 3/16	SD SK SF E F
1 3/4	NONE	NONE	SH
1 13/16	1/2 x 1/16*	1/2 x 1/4	SDS SD
1 13/16	1/2 x 1/4	1/2 x 1/4	SK SF E F
1 7/8	1/2 x 1/16*	1/2 x 1/4	SDS SD
1 7/8	1/2 x 1/4	1/2 x 1/4	SK SF E F
1 15/16	1/2 x 1/16*	1/2 x 1/4	SDS SD
1 15/16	1/2 x 1/4	1/2 x 1/4	SK SF E F
2	NONE	NONE	SDS SD
2	1/2 x 1/4	1/2 x 1/4	SK SF E F
2 1/16	1/2 x 1/4	1/2 x 1/4	SK SF E F
2 1/8	1/2 x 1/4	1/2 x 1/4	SK SF E F
2 3/16	1/2 x 1/4	1/2 x 1/4	SF E F
2 3/16	1/2 x 3/16*	1/2 x 1/4	SK
2 1/4	1/2 x 3/16*	1/2 x 1/4	SK
2 1/4	1/2 x 1/4	1/2 x 1/4	SF E F
2 15/16	5/8 x 1/16*	5/8 x 5/16	SK
2 15/16	5/8 x 5/16	5/8 x 5/16	SF E F
2 3/8	5/8 x 1/16*	5/8 x 5/16	SK SF
2 3/8	5/8 x 5/16	5/8 x 5/16	E F
2 7/16	5/8 x 1/16*	5/8 x 5/16	SK SF
2 7/16	5/8 x 5/16	5/8 x 5/16	E F
2 1/2	5/8 x 1/16*	5/8 x 5/16	SK SF
2 1/2	5/8 x 5/16	5/8 x 5/16	E F
2 9/16	NONE	NONE	SK
2 9/16	5/8 x 1/16	5/8 x 5/16	SF
2 9/16	5/8 x 5/16	5/8 x 5/16	E F

Bushings are supplied with cap screws only.

\* Denotes shallow key.



## QD BUSHINGS STOCK BORES AND KEYWAYS

BORE	BUSHING KEYWAY	SHAFT KEYSEAT	QD BUSHINGS STOCKED
2 <sup>5</sup> / <sub>8</sub>	NONE	NONE	SK
2 <sup>5</sup> / <sub>8</sub>	5/8 x 1/16*	5/8 x 5/16	SF
2 <sup>5</sup> / <sub>8</sub>	5/8 x 5/16	5/8 x 5/16	E F
2 <sup>11</sup> / <sub>16</sub>	5/8 x 1/16*	5/8 x 5/16	SF
2 <sup>11</sup> / <sub>16</sub>	5/8 x 5/16	5/8 x 5/16	E F
2 <sup>3</sup> / <sub>4</sub>	5/8 x 1/16*	5/8 x 5/16	SF
2 <sup>3</sup> / <sub>4</sub>	5/8 x 5/16	5/8 x 5/16	E F
2 <sup>13</sup> / <sub>16</sub>	3/4 x 1/16*	3/4 x 3/8	SF
2 <sup>13</sup> / <sub>16</sub>	3/4 x 3/8	3/4 x 3/8	E F
2 <sup>7</sup> / <sub>8</sub>	NONE	NONE	SF
2 <sup>7</sup> / <sub>8</sub>	3/4 x 3/8	3/4 x 3/8	E F
2 <sup>15</sup> / <sub>16</sub>	NONE	NONE	SF
2 <sup>15</sup> / <sub>16</sub>	3/4 x 1/8*	3/4 x 3/8	E
2 <sup>15</sup> / <sub>16</sub>	3/4 x 3/8	3/4 x 3/8	F
3	3/4 x 1/8*	3/4 x 3/8	E
3	3/4 x 3/8	3/4 x 3/8	F
3 <sup>1</sup> / <sub>16</sub>	3/4 x 1/8*	3/4 x 3/8	E
3 <sup>1</sup> / <sub>8</sub>	3/4 x 1/8*	3/4 x 3/8	E
3 <sup>1</sup> / <sub>8</sub>	3/4 x 3/8	3/4 x 3/8	F
3 <sup>3</sup> / <sub>16</sub>	3/4 x 1/8*	3/4 x 3/8	E
3 <sup>3</sup> / <sub>16</sub>	3/4 x 3/8	3/4 x 3/8	F
3 <sup>1</sup> / <sub>4</sub>	3/4 x 1/8*	3/4 x 3/8	E
3 <sup>1</sup> / <sub>4</sub>	3/4 x 3/8	3/4 x 3/8	F
3 <sup>5</sup> / <sub>16</sub>	7/8 x 1/8*	7/8 x 7/16	E F
3 <sup>3</sup> / <sub>8</sub>	7/8 x 3/16*	7/8 x 7/16	F
3 <sup>3</sup> / <sub>8</sub>	7/8 x 1/16	7/8 x 7/16	E
3 <sup>7</sup> / <sub>16</sub>	7/8 x 1/16	7/8 x 7/16	E
3 <sup>7</sup> / <sub>16</sub>	7/8 x 3/16*	7/8 x 7/16	F
3 <sup>7</sup> / <sub>16</sub>	7/8 x 1/16	7/8 x 7/16	M

BORE	BUSHING KEYWAY	SHAFT KEYSEAT	QD BUSHINGS STOCKED
3 <sup>1</sup> / <sub>2</sub>	7/8 x 1/16*	7/8 x 7/16	E
3 <sup>1</sup> / <sub>2</sub>	7/8 x 3/16*	7/8 x 7/16	F
3 <sup>9</sup> / <sub>16</sub>	7/8 x 3/16*	7/8 x 7/16	F
3 <sup>5</sup> / <sub>8</sub>	7/8 x 3/16*	7/8 x 7/16	F
3 <sup>11</sup> / <sub>16</sub>	7/8 x 3/16*	7/8 x 7/16	F
3 <sup>3</sup> / <sub>4</sub>	7/8 x 3/16*	7/8 x 7/16	F
3 <sup>7</sup> / <sub>8</sub>	1 x 1/8*	1 x 1/2	F J
3 <sup>15</sup> / <sub>16</sub>	1 x 1/8*	1 x 1/2	F J M
4	1 x 1/8*	1 x 1/2	J
4	NONE	NONE	F
4 <sup>1</sup> / <sub>4</sub>	1 x 1/8*	1 x 1/2	J
4 <sup>7</sup> / <sub>16</sub>	1 x 1/8*	1 x 1/2	J
4 <sup>7</sup> / <sub>16</sub>	1 x 1/2*	1 x 1/2	M N
4 <sup>15</sup> / <sub>16</sub>	1 1/4 x 1/4	1 1/4 x 5/8	M
4 <sup>15</sup> / <sub>16</sub>	1 1/4 x 5/8	1 1/4 x 5/8	N
5 <sup>1</sup> / <sub>4</sub>	1 1/4 x 1/4*	1 1/4 x 5/8	N
5 <sup>7</sup> / <sub>16</sub>	1 1/4 x 1/4*	1 1/4 x 5/8	M
5 <sup>7</sup> / <sub>16</sub>	1 1/4 x 5/8	1 1/4 x 5/8	P
5 <sup>3</sup> / <sub>4</sub>	1 1/2 x 1/8*	1 1/2 x 3/4	N
5 <sup>7</sup> / <sub>8</sub>	1 1/2 x 1/8*	1 1/2 x 3/4	N
5 <sup>15</sup> / <sub>16</sub>	1 1/2 x 3/4	1 1/2 x 3/4	N
5 <sup>15</sup> / <sub>16</sub>	1 1/2 x 3/4	1 1/2 x 3/4	P
6 <sup>7</sup> / <sub>16</sub>	1 1/2 x 1/4	1 1/2 x 3/4	P
6 <sup>15</sup> / <sub>16</sub>	1 3/4 x 1/8	1 3/4 x 3/4	P

Bushings are supplied with cap screws only.

\* Denotes shallow key.



**MOLINE BEARING CO.**

Post Office Box 99, Batavia, Illinois 60510, USA  
630.584.4600, 800.242.4633, 630.584.1999 fax  
www.molinebearing.com, sales@molinebearing.com

TEL # **800.242.4633**

171