

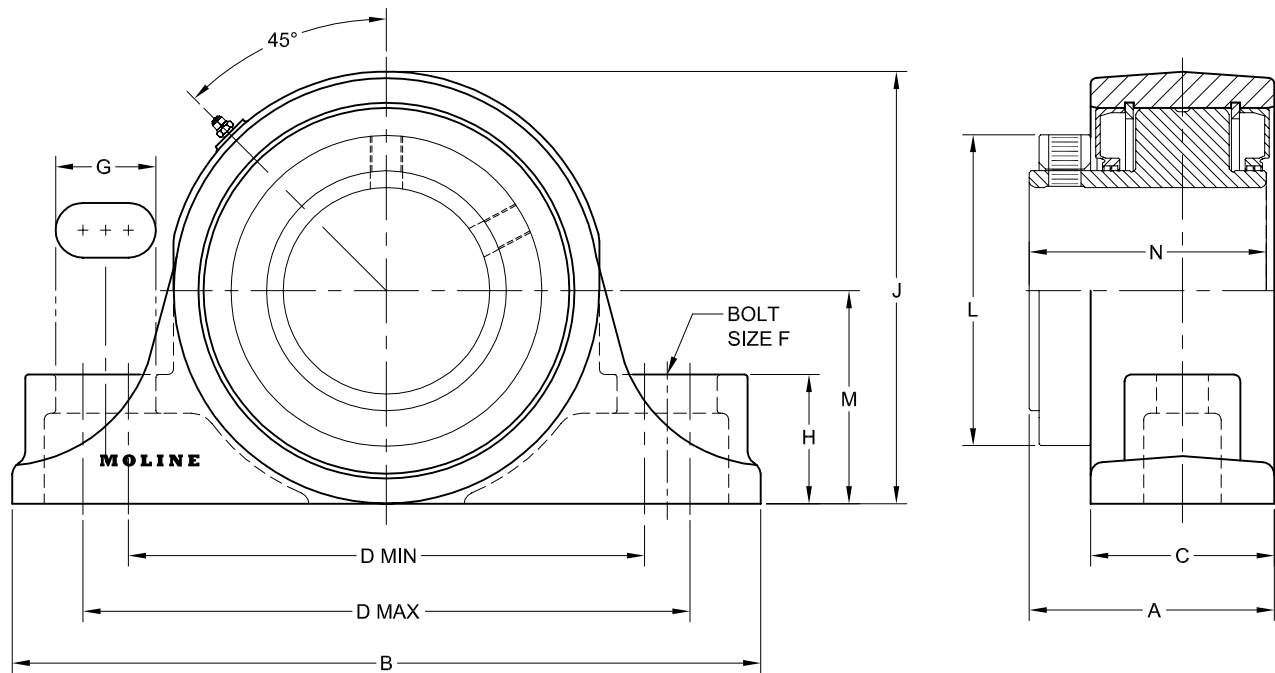
M2000 2-BOLT PILLOW BLOCK

M2000 SPHERICALS

SHAFT SIZE	MOLINE PART #		DIMENSIONS (INCHES)													WEIGHT LBS.
	EXP	NON-EXP	A	B	C	MIN D	CENTER TO CENTER D	MAX D	F	G	H	J	L	M	N	
1 3/16 1 1/4 1 7/16 1 1/2	19121103 19121104 19121107 19121108	19221103 19221104 19221107 19221108	2 7/8	6 7/8	2 3/16	4 11/16	5	5 5/16	1/2	1 5/16	1 3/16	3 7/8	2 1/2	1 7/8	2 3/4	6.9
1 11/16 1 3/4	19121111 19121112	19221111 19221112	3	7 3/8	2 3/16	5 3/16	5 1/2	5 13/16	1/2	1 5/16	1 5/16	4 1/4	2 5/8	2 1/8	2 7/8	8.1
1 15/16 2	19121115 19121200	19221115 19221200	3	8 3/8	2 3/16	5 15/16	6 1/4	6 9/16	5/8	1	1 3/8	4 9/16	2 7/8	2 1/4	2 7/8	9.1
2 3/16	19121203	19221203	3 1/4	8 7/8	2 1/2	6 7/16	6 3/4	7 1/16	5/8	1	1 5/8	5	3 1/4	2 1/2	3 1/8	11.8
2 7/16 2 1/2	19121207 19121208	19221207 19221208	3 1/2	9 1/4	2 3/4	6 13/16	7 1/8	7 7/16	5/8	1	1 3/4	5 11/16	4	2 3/4	3 3/8	16.2
2 11/16 2 3/4 2 15/16 3	19121211 19121212 19121215 19121300	19221211 19221212 19221215 19221300	3 13/16	10 1/2	2 13/16	7 13/16	8 1/8	8 7/16	3/4	1 1/8	2 1/4	6 7/16	4 3/8	3 1/4	3 5/8	22.1
3 3/16 3 7/16 3 1/2	19121303 19121307 19121308	19221303 19221307 19221308	4 1/4	13	3 1/4	9 1/2	10	10 1/2	7/8	1 7/16	2 1/4	7 1/2	5 1/8	3 3/4	4 1/32	31.6
3 11/16 3 15/16 4	19121311 19121315 19121400	19221311 19221315 19221400	4 3/4	14 1/2	3 9/16	10	10 7/8	11 3/4	1	1 15/16	2 1/2	8 3/8	6	4 1/8	4 19/32	45



M2000 2-BOLT PILLOW BLOCK



M2000 SPHERICALS



For personal service and special requests, please call us at 800.242.4633.

CAD drawings available upon request at no additional charge

For nomenclature see pages 190 and 191.



MOLINE BEARING CO.

Post Office Box 99, Batavia, Illinois 60510, USA
630.584.4600, 800.242.4633, 630.584.1999 fax
www.molinebearing.com, sales@molinebearing.com

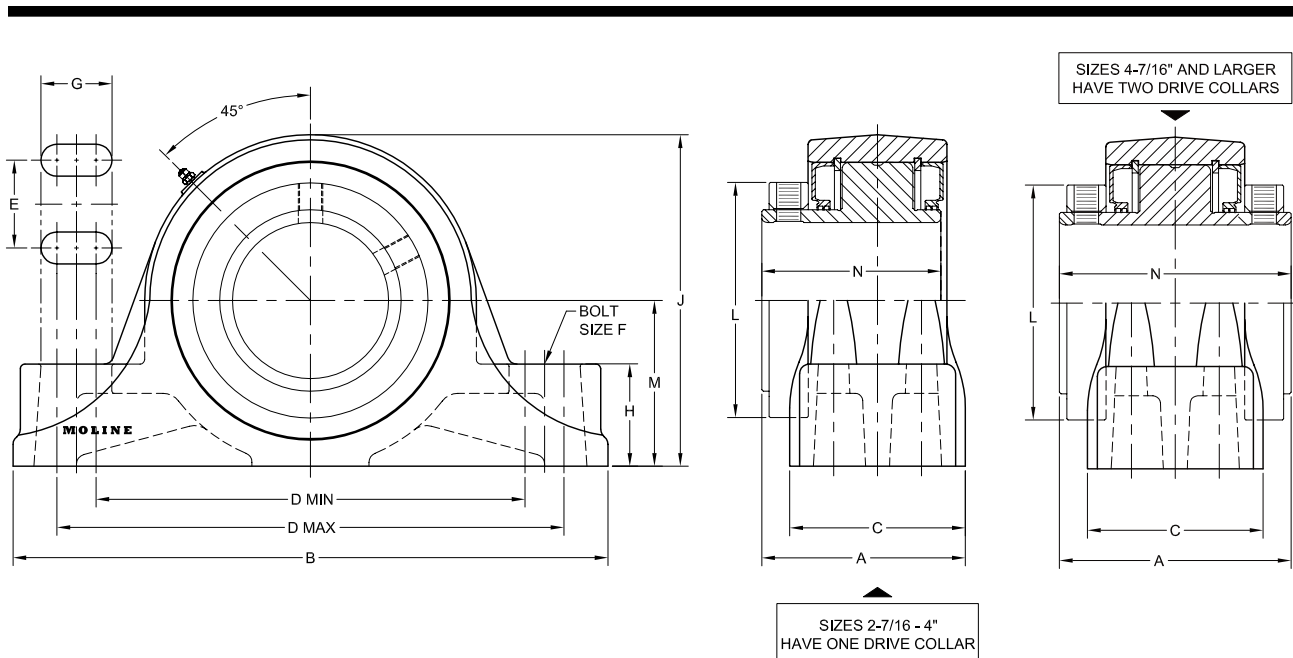
TEL # **800.242.4633**

49

M2000 4-BOLT PILLOW BLOCK

M2000 SPHERICALS

SHAFT SIZE	MOLINE PART #		DIMENSIONS (INCHES)					
	EXP	NON-EXP	A	B	C	MIN D	CENTER TO CENTER D	MAX D
2 7/16 2 1/2	19141207 19141208	19241207 19241208	3 3/4	9 1/4	3 1/4	6 7/8	7 1/4	7 5/8
2 11/16 2 3/4 2 15/16 3	19141211 19141212 19141215 19141300	19241211 19241212 19241215 19241300	4 1/4	10 1/2	3 3/4	7 7/8	8 1/8	8 3/8
3 3/16 3 7/16 3 1/2	19141303 19141307 19141308	19241303 19241307 19241308	4 9/16	13	3 7/8	9 1/4	10	10 3/4
3 11/16 3 15/16 4	19141311 19141315 19141400	19241311 19241315 19241400	5 1/4	15 1/4	4 1/2	11	12	13
4 7/16 4 1/2	19141407 19141408	19241407 19241408	6 1/8	16 1/2	4 3/4	13	13 1/2	14
4 15/16	19141415	19241415	6 5/8	18 5/8	5 3/8	15	15 1/2	16



M2000 4-BOLT PILLOW BLOCK

SHAFT SIZE	DIMENSIONS (INCHES)								WEIGHT LBS.
	E	F	G	H	J	L	M	N	
2 7/16 2 1/2	1 3/4	1/2	15/16	1 3/4	5 11/16	4	2 3/4	3 3/8	17
2 11/16 2 3/4 2 15/16 3	1 7/8	5/8	15/16	2 1/4	6 7/16	4 3/8	3 1/4	3 5/8	26
3 3/16 3 7/16 3 1/2	2	3/4	1 9/16	2 1/4	7 1/2	5 1/8	3 3/4	4 1/32	38
3 11/16 3 15/16 4	2 1/4	3/4	1 13/16	2 5/8	8 1/2	6	4 1/4	4 19/32	50
4 7/16 4 1/2	2 1/2	3/4	1 5/16	2 3/4	9 1/2	6 1/8	4 3/4	6 1/8	75
4 15/16	2 3/4	7/8	1 1/2	3	11 1/8	6 7/8	5 1/2	6 5/8	121



Note: Sizes 2 7/16" – 4" have one drive collar. For sizes 4 7/16" and larger have 2 drive collars.

For personal service and special requests, please call us at 800.242.4633.

CAD drawings available upon request at no additional charge.

For nomenclature see pages 190 and 191.



Post Office Box 99, Batavia, Illinois 60510, USA
630.584.4600, 800.242.4633, 630.584.1999 fax
www.molinebearing.com, sales@molinebearing.com

MOLINE BEARING CO.

TEL # **800.242.4633**

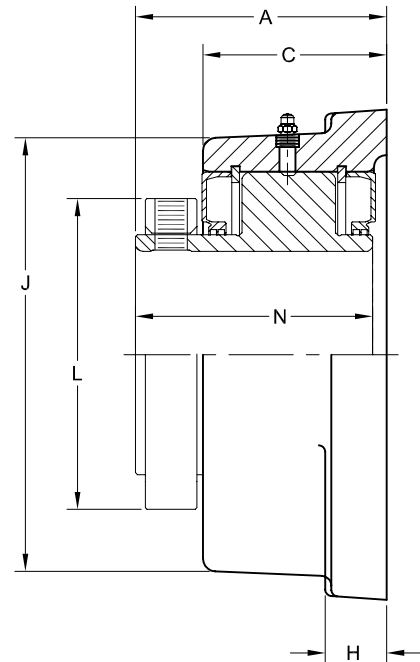
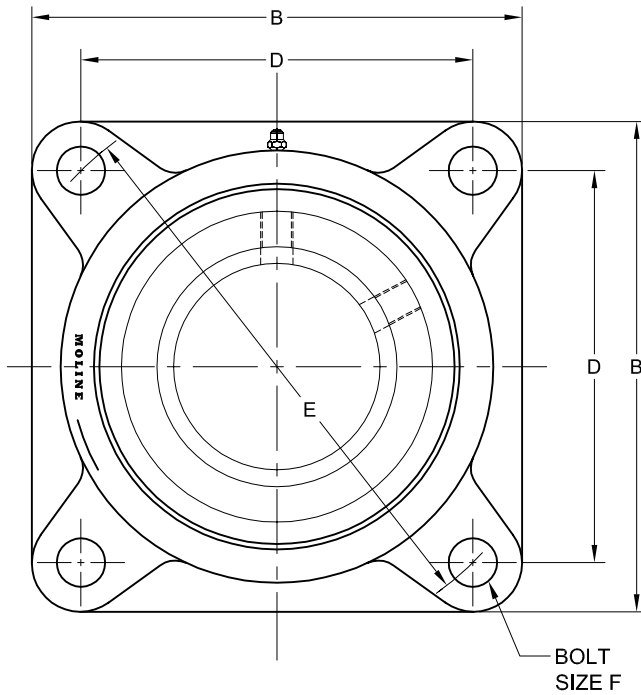
M2000 4-BOLT FLANGE

M2000 SPHERICALS

SHAFT SIZE	MOLINE PART #		DIMENSIONS (INCHES)										WEIGHT LBS.
	EXP	NON-EXP	A	B	C	D	E	F	H	J	L	N	
1 7/16 1 1/2	19111107 19111108	19211107 19211108	2 15/16	4 5/8	2 1/4	3 17/32	5	1/2	3/4	3 7/8	2 1/2	2 3/4	7
1 11/16 1 3/4	19111111 19111112	19211111 19211112	3 1/16	5	2 1/4	3 57/64	5 1/2	1/2	3/4	4 1/4	2 5/8	2 7/8	10
1 15/16 2	19111115 19111200	19211115 19211200	3 1/32	5 1/4	2 1/4	4 1/16	5 3/4	1/2	3/4	4 1/2	2 7/8	2 7/8	10.5
2 3/16	19111203	19211203	3 9/32	5 7/8	2 7/16	4 17/32	6 3/8	5/8	3/4	5	3 1/4	3 1/8	12.5
2 7/16 2 1/2	19111207 19111208	19211207 19211208	3 9/16	6 1/8	2 3/4	4 25/32	6 3/4	5/8	1	5 3/4	4	3 3/8	16.5
2 11/16 2 3/4 2 15/16 3	19111211 19111212 19111215 19111300	19211211 19211212 19211215 19211300	3 15/16	7 1/4	2 7/8	5 9/16	7 7/8	3/4	1	6 5/8	4 3/8	3 5/8	25
3 3/16 3 7/16 3 1/2	19111303 19111307 19111308	19211303 19211307 19211308	4 11/32	8 3/8	3 1/4	6 23/32	9 1/2	3/4	1 1/8	7 5/8	5 1/8	4 1/32	35
3 11/16 3 15/16 4	19111311 19111315 19111400	19211311 19211315 19211400	4 7/8	9 1/2	3 9/16	7 19/32	10 3/4	7/8	1 3/16	8 3/8	6	4 19/32	48



M2000 4-BOLT FLANGE



M2000 SPHERICALS



For personal service and special requests, please call us at 800.242.4633. CAD drawings available upon request at no additional charge.

For nomenclature see pages 190 and 191.



Post Office Box 99, Batavia, Illinois 60510, USA
630.584.4600, 800.242.4633, 630.584.1999 fax
www.molinebearing.com, sales@molinebearing.com

MOLINE BEARING CO.

TEL # **800.242.4633**

53

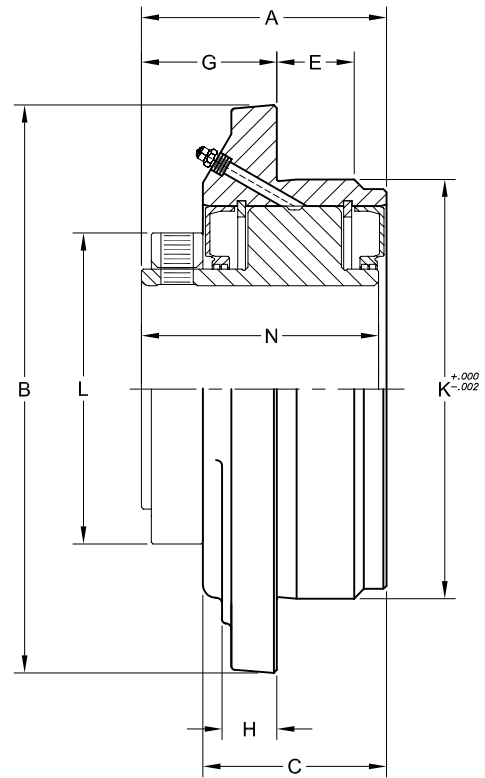
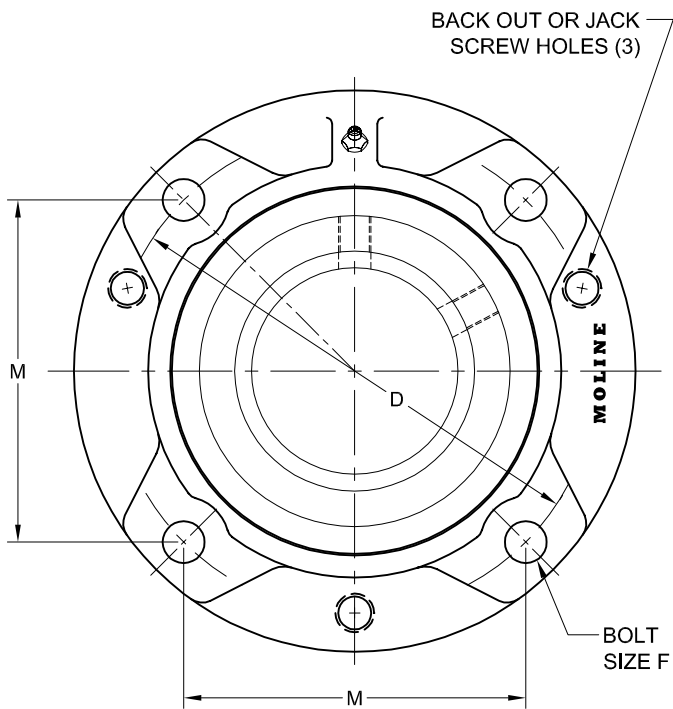
M2000 PILOTED FLANGE CARTRIDGE

M2000 SPHERICALS

SHAFT SIZE	MOLINE PART #		DIMENSIONS (INCHES)													WEIGHT LBS.
	EXP	NON-EXP	A	B	C	D	E	F	G	H	K	L	M	N		
1 7/16 1 1/2	19131107 19131108	19231107 19231108	2 13/16	5 1/4	2 1/16	4 3/8	1 9/32	3/8	1 9/16	1/2	3 5/8	2 1/2	3 3/32	2 3/4	7	
1 11/16 1 3/4	19131111 19131112	19231111 19231112	3	6 1/8	2 3/16	5 1/8	7/8	7/16	1 9/32	1/2	4 1/4	2 5/8	3 5/8	2 7/8	8.5	
1 15/16 2	19131115 19131200	19231115 19231200	3	6 3/8	2 3/16	5 3/8	7/8	7/16	1 1/2	1/2	4 1/2	2 7/8	3 51/64	2 7/8	10.5	
2 3/16	19131203	19231203	3 1/4	7 1/8	2 7/16	6	1	1/2	1 25/32	1/2	5	3 1/4	4 1/4	3 1/8	14.5	
2 7/16 2 1/2	19131207 19131208	19231207 19231208	3 1/2	7 5/8	2 11/16	6 1/2	1	1/2	1 7/8	5/8	5 1/2	4	4 19/32	3 3/8	16	
2 11/16 2 3/4 2 15/16 3	19131211 19131212 19131215 19131300	19231211 19231212 19231215 19231300	3 13/16	8 3/4	2 13/16	7 1/2	1 1/4	5/8	2	3/4	6 3/8	4 3/8	5 19/64	3 5/8	22	
3 3/16 3 7/16 3 1/2	19131303 19131307 19131308	19231303 19231307 19231308	4 1/4	10 1/4	3 1/4	8 5/8	1 1/4	3/4	2 1/2	1 5/16	7 3/8	5 1/8	6 3/32	4 1/32	33	
3 11/16 3 15/16 4	19131311 19131315 19131400	19231311 19231315 19231400	4 3/4	10 7/8	3 9/16	9 3/8	1 1/2	3/4	2 5/8	1 1/16	8 1/8	6	6 5/8	4 19/32	45	



M2000 PILOTED FLANGE CARTRIDGE



M2000 SPHERICALS



For personal service and special requests, please call us at 800.242.4633.

CAD drawings available upon request at no additional charge.

For nomenclature see pages 190 and 191.



Post Office Box 99, Batavia, Illinois 60510, USA
630.584.4600, 800.242.4633, 630.584.1999 fax
www.molinebearing.com, sales@molinebearing.com

MOLINE BEARING CO.

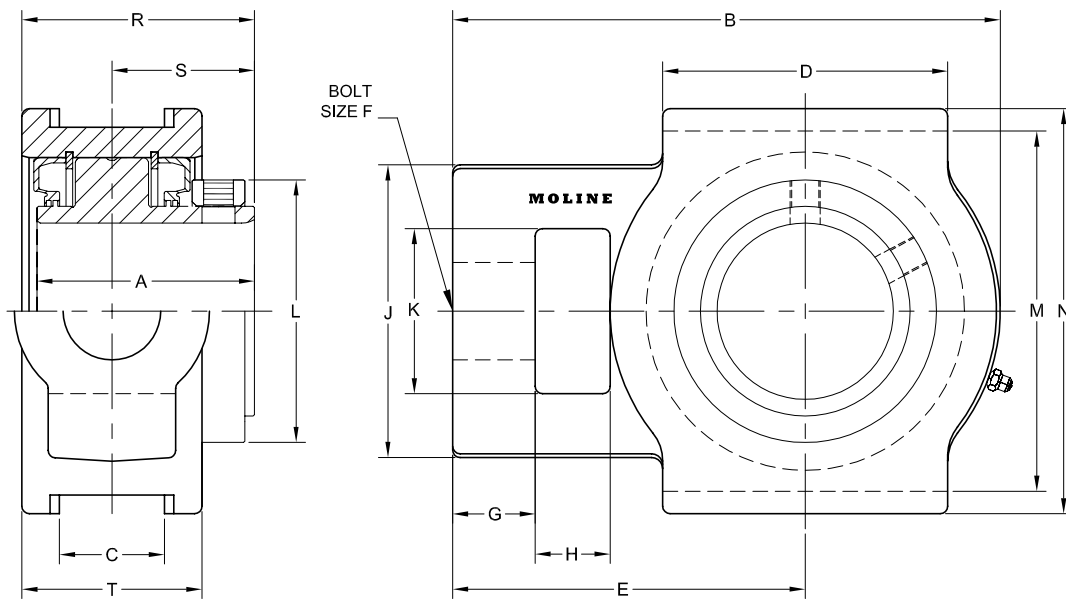
TEL # **800.242.4633**

55

M2000 WIDE SLOT TAKE-UP

M2000 SPHERICALS

SHAFT SIZE	MOLINE PART #		DIMENSIONS (INCHES)							
	EXP.	NON-EXP	A	B	C	D	E	F	G	H
1 15/16 2	19151115 19151200	19251115 19251200	2 7/8	6 5/16	1 1/16	3 3/4	3 15/16	1	15/16	3/4
2 3/16	19151203	19251203	3 1/8	7 1/8	1 3/16	3 3/4	4 5/8	1 1/8	1	1
2 7/16 2 1/2	19151207 19151208	19251207 19251208	3 3/8	7 13/16	1 1/32	4 1/2	5 1/16	1 1/2	1 1/16	1 1/4
2 11/16 2-3/4 2 15/16 3	19151211 19151212 19151215 19151300	19251211 19251212 19251215 19251300	3 5/8	9 1/8	1 25/32	4 3/4	5 7/8	1 1/2	1 3/8	1 1/4
3 3/16 3 7/16 3 1/2	19151303 19151307 19151308	19251303 19251307 19251308	4 1/32	10 1/4	1 25/32	6	6 3/8	1 3/4	1 1/16	1 5/8



SLOT C IS NOT A MACHINED DIMENSION.



M2000 WIDE SLOT TAKE-UP

SHAFT SIZE	DIMENSIONS (INCHES)								WEIGHT LBS.
	J	K	L	M	N	R	S	T	
1 ¹⁵ / ₁₆ 2	3 ⁵ / ₁₆	1 ¹⁵ / ₁₆	2 ⁷ / ₈	4	4 ³ / ₄	3 ¹ / ₁₆	1 ⁷ / ₈	2 ⁷ / ₁₆	12
2 ³ / ₁₆	3 ⁷ / ₈	2 ¹ / ₄	3 ¹ / ₄	4 ¹ / ₂	5 ¹ / ₄	3 ¹ / ₄	2	2 ⁹ / ₁₆	16
2 ⁷ / ₁₆ 2 ¹ / ₂	4 ¹ / ₄	2 ¹ / ₂	4	5 ¹ / ₈	6	3 ¹ / ₂	2 ¹ / ₈	2 ³ / ₄	21
2 ¹¹ / ₁₆ 2-3/4 2 ¹⁵ / ₁₆ 3	4 ⁷ / ₈	2 ³ / ₄	4 ³ / ₈	5 ¹⁵ / ₁₆	6 ³ / ₄	3 ⁷ / ₈	2 ³ / ₈	3	30
3 ³ / ₁₆ 3 ⁷ / ₁₆ 3 ¹ / ₂	4 ⁷ / ₈	2 ⁷ / ₈	5 ¹ / ₈	6 ¹³ / ₁₆	7 ¹³ / ₁₆	4 ¹ / ₂	2 ¹⁹ / ₃₂	3 ¹³ / ₁₆	45



For personal service and special requests, please call us at 800.242.4633.
CAD drawings available upon request at no additional charge.

For nomenclature see pages 190 and 191.



Post Office Box 99, Batavia, Illinois 60510, USA
630.584.4600, 800.242.4633, 630.584.1999 fax
www.molinebearing.com, sales@molinebearing.com

MOLINE BEARING C°

TEL # **800.242.4633**

57