

AK - LIGHT DUTY PULLEYS

Single Groove Bored to Size for A, 3L or 4L Light Duty V-Belts

MOLINE PART #	O.D.	TYPE	STOCK BORES	F	L	N	D	WEIGHT
AK17	1.75	1	1/2, 5/8	21/32	15/16	7/16	5/32	.2
AK20	2.00	1	3/8, 1/2, 5/8, 3/4	21/32	15/16	7/16	5/32	.3
AK21	2.10	1	1/2, 5/8, 3/4	21/32	15/16	7/16	5/32	.4
AK22	2.20	1	1/2, 5/8, 3/4	21/32	15/16	7/16	5/32	.5
AK23	2.30	1	1/2, 5/8, 3/4, 7/8	21/32	15/16	7/16	5/32	.5
AK25	2.50	2	1/2, 5/8, 3/4, 7/8, 1	21/32	15/16	7/16	5/32	.5
AK26	2.60	2	1/2, 5/8, 3/4	21/32	15/16	7/16	5/32	.5
AK27	2.70	2	1/2, 5/8, 3/4	21/32	15/16	7/16	5/32	.6
AK28	2.80	2	1/2, 5/8, 3/4, 7/8, 1	21/32	15/16	7/16	5/32	.7
AK30	3.05	2	1/2, 5/8, 3/4, 7/8, 1	21/32	15/16	7/16	5/32	.7
AK32	3.25	2	1/2, 5/8, 3/4, 7/8, 1	21/32	15/16	7/16	5/32	.7
AK34	3.45	2	1/2, 5/8, 3/4, 7/8, 1	21/32	15/16	7/16	5/32	.9
AK39	3.75	2	1/2, 5/8, 3/4, 7/8, 15/16, 1, 1 1/8	3/4	1 5/32	15/32	1/16	1.4
AK41	3.95	2	1/2, 5/8, 3/4, 7/8, 15/16, 1	3/4	1 5/32	15/32	1/16	1.5
AK44	4.25	3	1/2, 5/8, 3/4, 7/8, 15/16, 1, 1 1/8	3/4	1 5/32	15/32	1/16	1.5
AK46	4.45	3	1/2, 5/8, 3/4, 7/8, 15/16, 1, 1 1/8	3/4	1 5/32	15/32	1/16	1.5
AK49	4.75	3	1/2, 5/8, 3/4, 7/8, 15/16, 1, 1 1/8	3/4	1 5/32	15/32	1/16	1.7
AK51	4.95	3	1/2, 5/8, 3/4, 7/8, 1, 1 1/8	3/4	1 5/32	15/32	1/16	1.7
AK52	5.05	3	1/2, 5/8, 3/4, 7/8, 15/16, 1, 1 1/8	3/4	1 5/32	15/32	1/16	1.7
AK54	5.25	3	1/2, 5/8, 3/4, 7/8, 15/16, 1, 1 1/8, 1 3/16	3/4	1 5/32	15/32	1/16	1.8
AK56	5.45	3	1/2, 5/8, 3/4, 7/8, 15/16, 1, 1 1/8, 1 3/16	3/4	1 5/32	15/32	1/16	1.9
AK59	5.75	3	1/2, 5/8, 3/4, 7/8, 15/16, 1, 1 1/8, 1 3/16	3/4	1 5/32	15/32	1/16	2.0
AK61	5.95	3	1/2, 5/8, 3/4, 7/8, 15/16, 1, 1 1/8, 1 3/16	3/4	1 5/32	15/32	1/16	2.1
AK64	6.25	3	1/2, 5/8, 3/4, 7/8, 15/16, 1, 1 1/8, 1 3/16	3/4	1 5/32	15/32	1/16	2.2
AK66	6.45	3	5/8, 3/4, 1, 1 1/8	3/4	1 5/32	15/32	1/16	2.5
AK69	6.75	3	3/4, 1, 1 1/8	3/4	1 15/32	23/32	0	3.5
AK71	6.95	3	5/8, 3/4, 1, 1 1/8, 1 7/16	3/4	1 15/32	23/32	0	3.8
AK74	7.25	3	1/2, 5/8, 3/4, 7/8, 15/16, 1, 1 1/8, 1 3/16, 1 1/4, 1 7/16	3/4	1 15/32	23/32	0	3.4
AK79	7.75	3	3/4, 1, 1 1/8, 1 7/16	3/4	1 15/32	23/32	0	4.0
AK84	8.25	3	1/2, 5/8, 3/4, 15/16, 1, 1 3/16, 1 7/16	3/4	1 15/32	23/32	0	3.8
AK89	8.75	3	3/4, 1, 1 1/8, 1 7/16	3/4	1 15/32	23/32	0	4.3

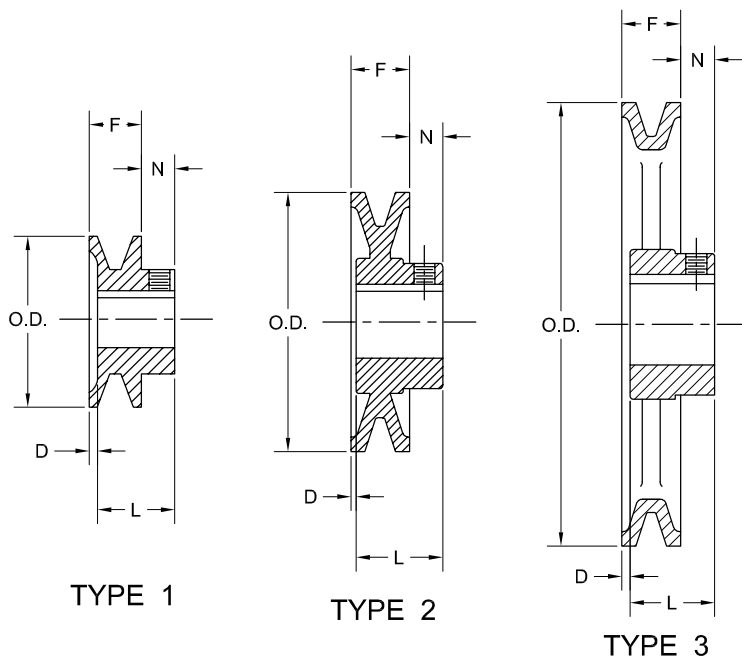


AK - LIGHT DUTY PULLEYS

Single Groove Bored to Size for A, 3L or 4L Light Duty V-Belts

MOLINE PART #	O.D.	TYPE	STOCK BORES	F	L	N	D	WEIGHT
AK94	9.25	3	1/2, 5/8, 3/4, 15/16, 1, 1 1/16, 1 1/4, 1 7/16	3/4	1 15/32	23/32	0	4.5
AK99	9.75	3	3/4, 1, 1 1/4, 1 7/16	3/4	1 15/32	23/32	0	5.3
AK104	10.25	3	5/8, 3/4, 1, 1 3/16, 1 1/4, 1 3/8, 1 7/16	3/4	1 15/32	23/32	0	5.1
AK109	10.75	3	3/4, 1, 1 3/8, 1 7/16	3/4	1 15/32	23/32	0	5.8
AK114	11.25	3	3/4, 1, 1 3/16, 1 7/16	3/4	1 15/32	23/32	0	5.6
AK124	12.25	3	5/8, 3/4, 1, 1 3/16, 1 1/4, 1 7/16	3/4	1 15/32	23/32	0	6.5
AK134	13.25	3	3/4, 1, 1 3/16, 1 3/8, 1 7/16	3/4	1 15/32	23/32	0	7.5
AK144	14.25	3	3/4, 1, 1 3/16, 1 7/16	3/4	1 15/32	23/32	0	8.5
AK154	15.25	3	3/4, 1, 1 3/16, 1 3/8, 1 7/16	3/4	1 15/32	23/32	0	9.8
AK184	18.25	3	3/4, 1, 1 3/16, 1 7/16	3/4	1 15/32	23/32	0	12.1

Pulleys are cast iron with a black oxide finish and 1 set screw.



For personal service and special requests, please call us at 800.242.4633.

CAD drawings available upon request at no additional charge.



MOLINE BEARING CO.

Post Office Box 99, Batavia, Illinois 60510, USA
630.584.4600, 800.242.4633, 630.584.1999 fax
www.molinebearing.com, sales@molinebearing.com

TEL # **800.242.4633**

141

2AK - LIGHT DUTY PULLEYS

Double Groove Bored to Size for A, 3L or 4L Light Duty V-Belts

MOLINE PART #	O.D.	TYPE	STOCK BORES	F	L	N	D	WEIGHT
2AK20	2.00	1	1/2, 5/8, 3/4, 7/8	1 3/8	1 21/32	15/32	3/16	.8
2AK21	2.15	1	1/2, 5/8, 3/4	1 3/8	1 21/32	15/32	3/16	.9
2AK22	2.25	1	1/2, 5/8, 3/4, 7/8	1 3/8	1 21/32	15/32	3/16	.9
2AK23	2.35	1	5/8, 3/4, 7/8, 1	1 3/8	1 21/32	15/32	3/16	1.1
2AK25	2.55	1	5/8, 3/4, 7/8, 1	1 3/8	1 21/32	15/32	3/16	1.3
2AK26	2.65	1	5/8, 3/4, 7/8, 1	1 3/8	1 21/32	15/32	3/16	1.4
2AK27	2.75	1	5/8, 3/4, 7/8, 1	1 3/8	1 21/32	15/32	3/16	1.5
2AK28	2.85	1	5/8, 3/4, 7/8, 1	1 3/8	1 21/32	15/32	3/16	1.8
2AK30	3.05	1	1/2, 5/8, 3/4, 7/8, 1, 1 1/8	1 3/8	1 21/32	15/32	3/16	1.8
2AK32	3.25	1	1/2, 5/8, 3/4, 7/8, 1, 1 1/8	1 3/8	1 21/32	15/32	3/16	2.1
2AK33	3.35	1	5/8	1 3/8	1 21/32	15/32	3/16	2.2
2AK34	3.45	1	1/2, 5/8, 3/4, 7/8, 1, 1 1/8	1 3/8	1 21/32	15/32	3/16	2.3
2AK39	3.75	2	1/2, 5/8, 3/4, 7/8, 1, 1 1/8	1 3/8	1 11/32	15/32	1/2	2.6
2AK41	3.95	2	5/8, 3/4, 7/8, 1, 1 1/8	1 3/8	1 11/32	15/32	1/2	2.9
2AK44	4.25	2	5/8, 3/4, 7/8, 1, 1 1/8	1 3/8	1 11/32	15/32	1/2	3.0
2AK46	4.45	2	7/8, 1, 1 1/8	1 3/8	1 11/32	15/32	1/2	3.1
2AK49	4.75	2	3/4, 7/8, 1, 1 1/8, 1 3/8	1 3/8	1 11/32	15/32	1/2	3.6
2AK51	4.95	2	3/4, 7/8, 1, 1 1/8, 1 3/8	1 3/8	1 11/32	15/32	1/2	3.8
2AK54	5.25	3	5/8, 3/4, 7/8, 1, 1 1/8, 1 3/8	1 3/8	1 11/32	15/32	1/2	3.3
2AK56	5.45	3	5/8, 3/4, 1, 1 1/8, 1 3/8	1 3/8	1 11/32	15/32	1/2	3.4
2AK59	5.75	3	1, 1 1/8, 1 3/8	1 3/8	1 11/32	15/32	1/2	3.5
2AK61	5.95	3	3/4, 7/8, 1, 1 1/8, 1 3/8	1 3/8	1 11/32	15/32	1/2	3.6
2AK64	6.25	3	3/4, 1, 1 1/8, 1 3/16, 1 3/8, 1 7/16	1 3/8	1 19/32	11/32	1/8	4.8
2AK74	7.25	3	3/4, 1, 1 1/8, 1 3/16, 1 3/8, 1 7/16	1 3/8	1 19/32	11/32	1/8	5.6
2AK84	8.25	3	3/4, 15/16, 1, 1 1/8, 1 3/16, 1 3/8, 1 7/16	1 3/8	1 19/32	11/32	1/8	6.4
2AK94	9.25	3	3/4, 15/16, 1, 1 1/8, 1 3/16, 1 3/8, 1 7/16	1 3/8	1 19/32	11/32	1/8	7.3
2AK104	10.25	3	3/4, 15/16, 1, 1 3/16, 1 3/8, 1 7/16	1 3/8	1 19/32	11/32	1/8	8.1

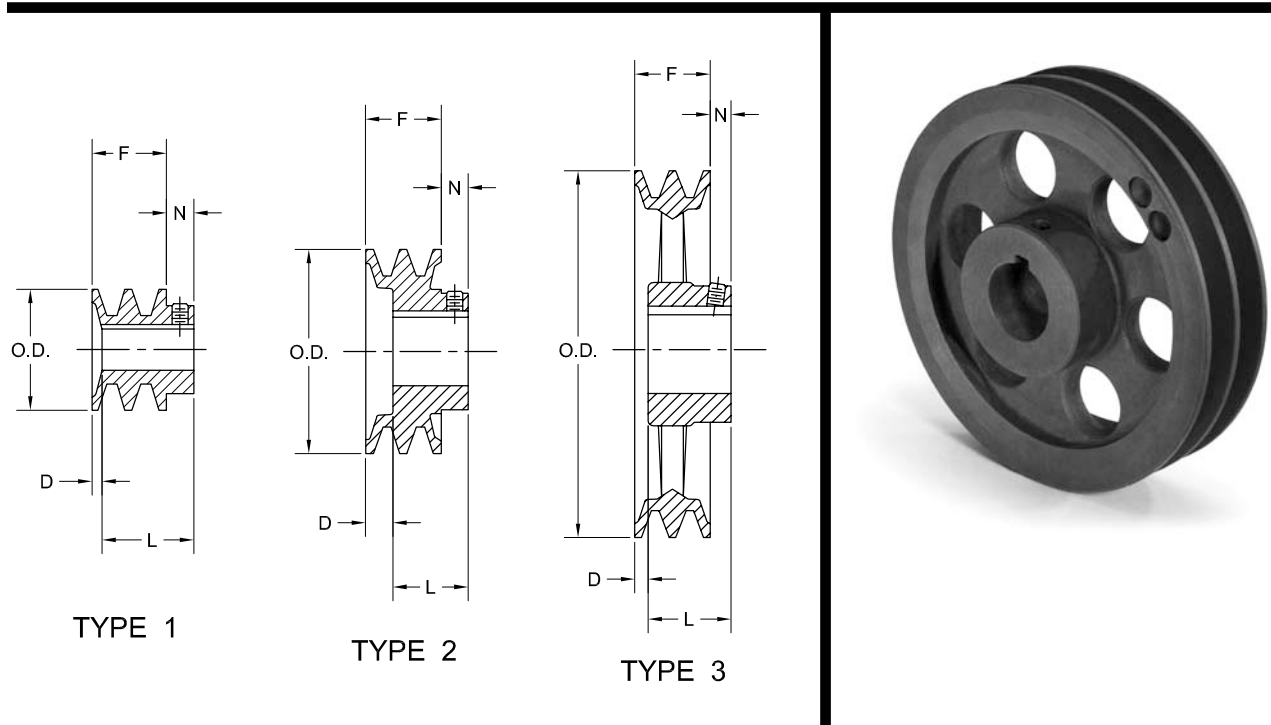


2AK - LIGHT DUTY PULLEYS

Double Groove Bored to Size for A, 3L or 4L Light Duty V-Belts

MOLINE PART #	O.D.	TYPE	STOCK BORES	F	L	N	D	WEIGHT
2AK114	11.25	3	$\frac{3}{4}$, 1, $1\frac{3}{16}$, $1\frac{3}{8}$, $1\frac{7}{16}$	$1\frac{3}{8}$	$1\frac{19}{32}$	$\frac{11}{32}$	$\frac{1}{8}$	9.0
2AK124	12.25	3	$\frac{3}{4}$, 1, $1\frac{3}{16}$, $1\frac{7}{16}$	$1\frac{3}{8}$	$1\frac{19}{32}$	$\frac{11}{32}$	$\frac{1}{8}$	9.8
2AK134	13.25	3	$1\frac{3}{16}$, $1\frac{7}{16}$	$1\frac{3}{8}$	$1\frac{19}{32}$	$\frac{11}{32}$	$\frac{1}{8}$	12.3
2AK144	14.25	3	1, $1\frac{7}{16}$	$1\frac{3}{8}$	$1\frac{19}{32}$	$\frac{11}{32}$	$\frac{1}{8}$	13.9
2AK154	15.25	3	$1\frac{3}{16}$, $1\frac{7}{16}$	$1\frac{3}{8}$	$1\frac{19}{32}$	$\frac{11}{32}$	$\frac{1}{8}$	14.3
2AK184	18.25	3	$1\frac{3}{16}$, $1\frac{7}{16}$	$1\frac{3}{8}$	$1\frac{19}{32}$	$\frac{11}{32}$	$\frac{1}{8}$	17.4

Pulleys are cast iron with a black oxide finish and 1 set screw.



For personal service and special requests, please call us at 800.242.4633.

CAD drawings available upon request at no additional charge.



MOLINE BEARING CO.

Post Office Box 99, Batavia, Illinois 60510, USA
630.584.4600, 800.242.4633, 630.584.1999 fax
www.molinebearing.com, sales@molinebearing.com

TEL # **800.242.4633**

143

AKD - LIGHT DUTY PULLEYS

Single Groove Bushed for A, 3L or 4L Light Duty V-Belts

MOLINE PART #	O.D.	TYPE	F	L	P	X	WEIGHT
AK30D	3.05	1	3/4	1 1/4	7/8	1 3/16	1.1
AK32D	3.25	1	3/4	1 1/4	7/8	1 3/16	1.2
AK34D	3.45	2	3/4	1 1/4	9/16	7/8	1.0
AK39D	3.75	2	3/4	1 1/4	9/16	7/8	1.4
AK41D	3.95	2	3/4	1 1/4	9/16	7/8	1.6
AK44D	4.25	2	3/4	1 1/4	9/16	7/8	1.9
AK46D	4.45	2	3/4	1 1/4	9/16	7/8	1.9
AK49D	4.75	2	3/4	1 1/4	9/16	7/8	2.1
AK51D	4.95	2	3/4	1 1/4	9/16	7/8	2.3
AK54D	5.25	2	3/4	1 1/4	9/16	7/8	2.0
AK56D	5.45	2	3/4	1 1/4	9/16	7/8	2.3
AK59D	5.75	2	3/4	1 1/4	9/16	7/8	2.4
AK61D	5.95	3	3/4	1 1/4	9/16	7/8	2.5
AK64D	6.25	3	3/4	1 1/4	9/16	7/8	2.7
AK66D	6.45	3	3/4	1 1/4	9/16	7/8	2.8
AK69D	6.75	3	3/4	1 1/4	9/16	7/8	3.2
AK71D	6.95	3	3/4	1 1/4	9/16	7/8	3.1
AK74D	7.25	3	3/4	1 1/4	9/16	7/8	3.3
AK79D	7.75	3	3/4	1 1/4	9/16	7/8	3.5
AK84D	8.25	3	3/4	1 1/4	9/16	7/8	3.6
AK89D	8.75	3	3/4	1 1/4	9/16	7/8	4.0
AK94D	9.25	3	3/4	1 1/4	9/16	7/8	4.4
AK99D	9.75	3	3/4	1 1/4	9/16	7/8	4.7
AK100D	10.00	3	3/4	1 1/4	9/16	7/8	4.6
AK104D	10.25	3	3/4	1 1/4	9/16	7/8	4.5
AK109D	10.75	3	3/4	1 1/4	9/16	7/8	5.1



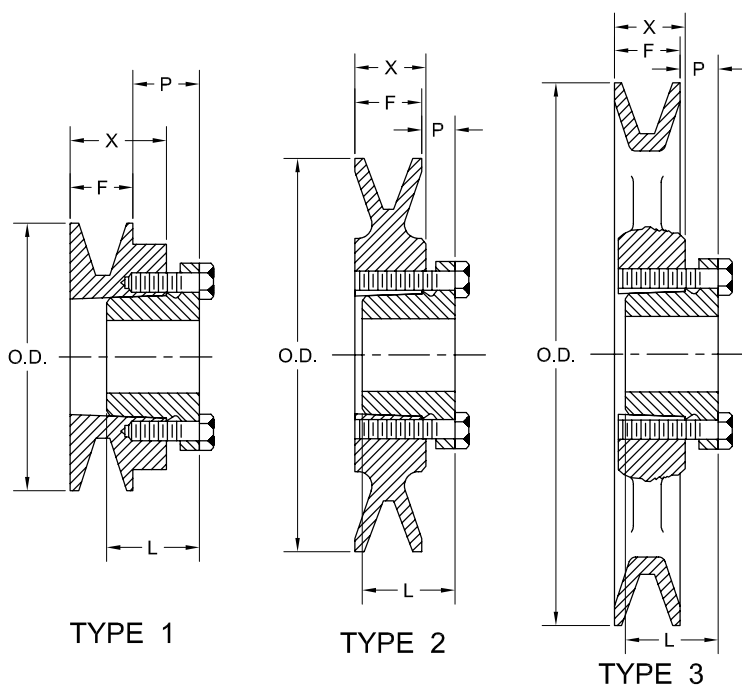
AKD - LIGHT DUTY PULLEYS

Single Groove Bushed for A, 3L or 4L Light Duty V-Belts

MOLINE PART #	O.D.	TYPE	F	L	P	X	WEIGHT
AK114D	11.25	3	$\frac{3}{4}$	$1\frac{1}{4}$	$\frac{9}{16}$	$\frac{7}{8}$	5.5
AK124D	12.25	3	$\frac{3}{4}$	$1\frac{1}{4}$	$\frac{9}{16}$	$\frac{7}{8}$	6.1
AK134D	13.25	3	$\frac{3}{4}$	$1\frac{1}{4}$	$\frac{9}{16}$	$\frac{7}{8}$	7.4
AK144D	14.25	3	$\frac{3}{4}$	$1\frac{1}{4}$	$\frac{9}{16}$	$\frac{7}{8}$	7.8
AK154D	15.25	3	$\frac{3}{4}$	$1\frac{1}{4}$	$\frac{9}{16}$	$\frac{7}{8}$	8.8
AK184D	18.25	3	$\frac{3}{4}$	$1\frac{1}{4}$	$\frac{9}{16}$	$\frac{7}{8}$	11.3

Pulleys are cast iron with a black oxide finish.

Refer to page 147 for appropriate D Bushings.



For personal service and special requests, please call us at 800.242.4633.

CAD drawings available upon request at no additional charge.



MOLINE BEARING CO.

Post Office Box 99, Batavia, Illinois 60510, USA
 630.584.4600, 800.242.4633, 630.584.1999 fax
 www.molinebearing.com, sales@molinebearing.com

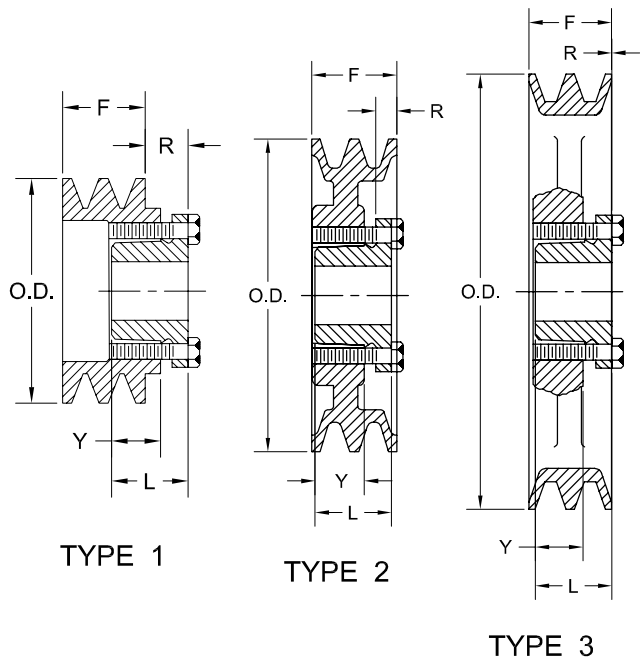
TEL # **800.242.4633**

145

2AKD - LIGHT DUTY PULLEYS

Double Groove Bushed for A, 3L, or 4L Light Duty V-Belts

MOLINE PART #	O.D.	TYPE	F	L	P	X	WEIGHT
2AK30D	3.05	1	1 3/8	1 1/4	7/8	7/8	1.4
2AK32D	3.25	1	1 3/8	1 1/4	7/8	7/8	1.7
2AK34D	3.45	1	1 3/8	1 1/4	7/16	7/8	1.8
2AK39D	3.75	1	1 3/8	1 1/4	7/16	7/8	1.8
2AK41D	3.95	2	1 3/8	1 1/4	1/16	7/8	1.8
2AK44D	4.25	2	1 3/8	1 1/4	1/16	7/8	2.4
2AK46D	4.45	2	1 3/8	1 1/4	1/16	7/8	2.5
2AK49D	4.75	2	1 3/8	1 1/4	1/16	7/8	3.1
2AK51D	4.95	2	1 3/8	1 1/4	1/16	7/8	3.2
2AK54D	5.25	2	1 3/8	1 1/4	1/16	7/8	3.4
2AK56D	5.45	2	1 3/8	1 1/4	1/16	7/8	3.6
2AK59D	5.75	3	1 3/8	1 1/4	1/16	7/8	3.4
2AK61D	5.95	3	1 3/8	1 1/4	1/16	7/8	3.3
2AK64D	6.25	3	1 3/8	1 1/4	1/16	7/8	3.9
2AK74D	7.25	3	1 3/8	1 1/4	1/16	7/8	4.9
2AK80D	7.90	3	1 3/8	1 1/4	1/16	7/8	5.4
2AK84D	8.25	3	1 3/8	1 1/4	1/16	7/8	5.8
2AK94D	9.25	3	1 3/8	1 1/4	1/16	7/8	6.1
2AK104D	10.25	3	1 3/8	1 1/4	1/16	7/8	7.7
2AK114D	11.25	3	1 3/8	1 1/4	1/16	7/8	8.5
2AK124D	12.25	3	1 3/8	1 1/4	1/16	7/8	9.5
2AK134D	13.25	3	1 3/8	1 1/4	1/16	7/8	11.4
2AK144D	14.25	3	1 3/8	1 1/4	1/16	7/8	11.9
2AK154D	15.25	3	1 3/8	1 1/4	1/16	7/8	13.3
2AK184D	18.25	3	1 3/8	1 1/4	1/16	7/8	16.8



Pulleys are cast iron with a black oxide finish.

Refer to page 147 for appropriate D Bushings.

For personal service and special requests, please call us at 800.242.4633.

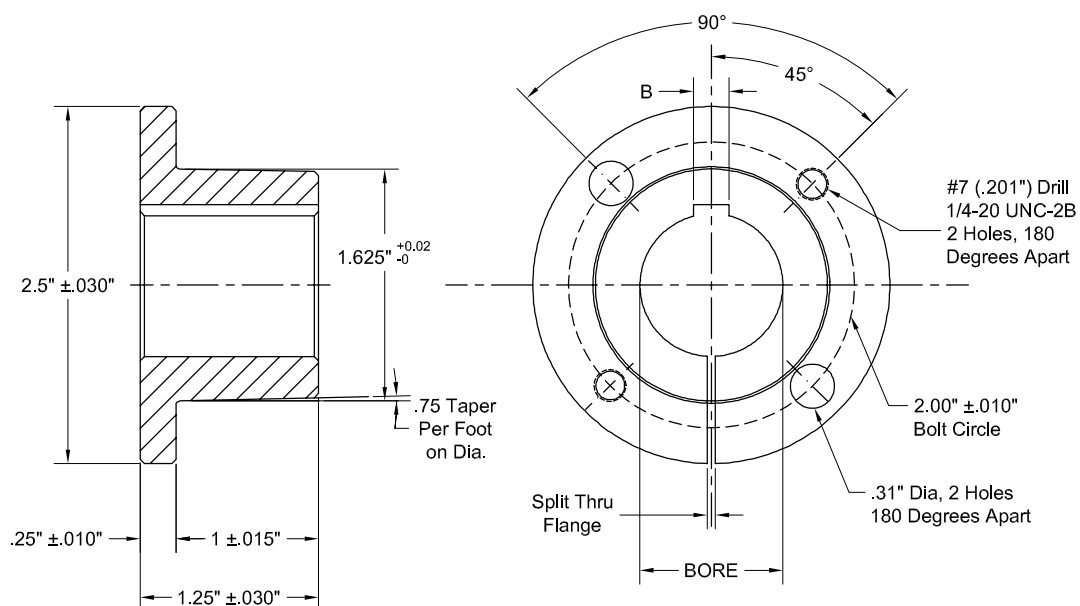
CAD drawings available upon request at no additional charge.

D BUSHINGS

STOCK BORE (INCHES)	MOLINE PART #	KEYSEAT
1/2	D 1/2	1/8 X 1/16
5/8	D 5/8	3/16 X 3/32
3/4	D 3/4	3/16 X 3/32
7/8	D 7/8	3/16 X 3/32
15/16	D 15/16	1/4 X 1/8
1	D 1	1/4 X 1/8
1 1/8	D 1 1/8	1/4 X 1/8
1 3/16	D 1 3/16	1/4 X 1/8
1 1/4	D 1 1/4	1/4 X 1/8
1 5/16	D 1 5/16	5/16 X 1/16*
1 3/8	D 1 3/8	5/16 X 1/16*
1 7/16	D 1 7/16	3/8 X 1/16*
1 1/2	D 1 1/2	3/8 X 1/16*

* Denotes shallow key, keystone is included.

Note: D bushings are comparable to H bushings made by other manufacturers.



MOLINE BEARING CO.

Post Office Box 99, Batavia, Illinois 60510, USA
 630.584.4600, 800.242.4633, 630.584.1999 fax
www.molinebearing.com, sales@molinebearing.com

TEL # **800.242.4633**

147

BK - LIGHT DUTY PULLEYS

Single Groove Bored to Size for 4L or A and 5L or B Light Duty V-Belts

MOLINE PART #	O.D.	TYPE	STOCK BORES	F	L	N	D	WEIGHT
BK20	2.00	1	1/2	13/16	1 1/16	13/32	5/32	.4
BK24	2.40	1	1/2, 5/8, 3/4	13/16	1 1/16	13/32	5/32	.4
BK25	2.50	1	1/2, 5/8, 3/4, 7/8, 1	13/16	1 1/16	13/32	5/32	.5
BK26	2.60	1	1/2, 5/8, 3/4, 7/8	13/16	1 1/16	13/32	5/32	.6
BK27	2.70	2	1/2, 5/8, 3/4, 7/8, 1	13/16	1 1/16	13/32	5/32	.6
BK28	2.80	2	1/2, 5/8, 3/4, 7/8, 1, 1 1/8	13/16	1 1/16	13/32	5/32	.8
BK30	3.15	2	1/2, 5/8, 3/4, 7/8, 1	13/16	1 1/16	13/32	5/32	.8
BK32	3.35	2	1/2, 5/8, 3/4, 7/8	13/16	1 1/16	13/32	5/32	.8
BK34	3.55	2	1/2, 5/8, 3/4, 7/8, 1, 1 1/8	7/8	1 1/16	13/32	1/8	1.3
BK36	3.75	2	1/2, 5/8, 3/4, 7/8, 1, 1 1/8	7/8	1 5/32	13/32	1/8	1.5
BK40	3.95	2	1/2, 5/8, 3/4, 7/8, 1, 1 1/8	7/8	1 5/32	13/32	1/8	1.5
BK45	4.25	2	1/2, 5/8, 3/4, 7/8, 1, 1 1/8	7/8	1 5/32	13/32	1/8	1.8
BK47	4.45	2	1/2, 5/8, 3/4, 7/8, 1, 1 1/8	7/8	1 5/32	13/32	1/8	1.9
BK50	4.75	3	1/2, 5/8, 3/4, 7/8, 1, 1 1/8	7/8	1 5/32	13/32	1/8	2.0
BK52	4.95	3	1/2, 5/8, 3/4, 7/8, 1, 1 1/8	7/8	1 5/32	13/32	1/8	2.0
BK55	5.25	3	1/2, 5/8, 3/4, 7/8, 15/16, 1, 1 1/8, 1 3/16	7/8	1 5/32	13/32	1/8	2.2
BK57	5.45	3	5/8, 3/4, 7/8, 15/16, 1, 1 1/8	7/8	1 5/32	13/32	1/8	2.3
BK60	5.75	3	1/2, 5/8, 3/4, 7/8, 1, 1 1/8, 1 3/16	7/8	1 5/32	13/32	1/8	2.3
BK62	5.95	3	1/2, 5/8, 3/4, 7/8, 15/16, 1, 1 1/8, 1 3/16	7/8	1 5/32	13/32	1/8	2.4
BK65	6.25	3	5/8, 3/4, 1, 1 1/8	7/8	1 5/32	13/32	1/8	2.7
BK67	6.45	3	5/8, 3/4, 1, 1 1/8	7/8	1 15/32	13/32	1/8	2.8
BK70	6.75	3	5/8, 3/4, 15/16, 1, 1 1/8, 1 13/16, 1 7/16	7/8	1 15/32	21/32	1/16	3.3
BK72	6.95	3	3/4, 1, 1 1/8, 1 3/8	7/8	1 15/32	21/32	1/16	3.9
BK75	7.25	3	3/4, 1, 1 1/8, 1 3/8	7/8	1 15/32	21/32	1/16	3.9
BK77	7.45	3	3/4, 1, 1 1/8, 1 3/8	7/8	1 15/32	21/32	1/16	4.1
BK80	7.75	3	5/8, 3/4, 7/8, 1, 1 1/8, 1 13/16, 1 1/4, 1 3/8, 1 7/16	7/8	1 15/32	21/32	1/16	4.4
BK85	8.25	3	3/4, 1, 1 1/8, 1 3/8, 1 7/16	7/8	1 15/32	21/32	1/16	5.0
BK90	8.75	3	5/8, 3/4, 7/8, 15/16, 1, 1 1/8, 1 3/16, 1 1/4, 1 3/8, 1 7/16	7/8	1 15/32	21/32	1/16	5.0
BK95	9.25	3	3/4, 1, 1 1/8, 1 3/8, 1 3/16, 1 1/4	7/8	1 15/32	21/32	1/16	5.4
BK100	9.75	3	3/4, 7/8, 15/16, 1, 1 1/8, 1 13/16, 1 1/4, 1 3/8, 1 7/16	7/8	1 15/32	21/32	1/16	5.6

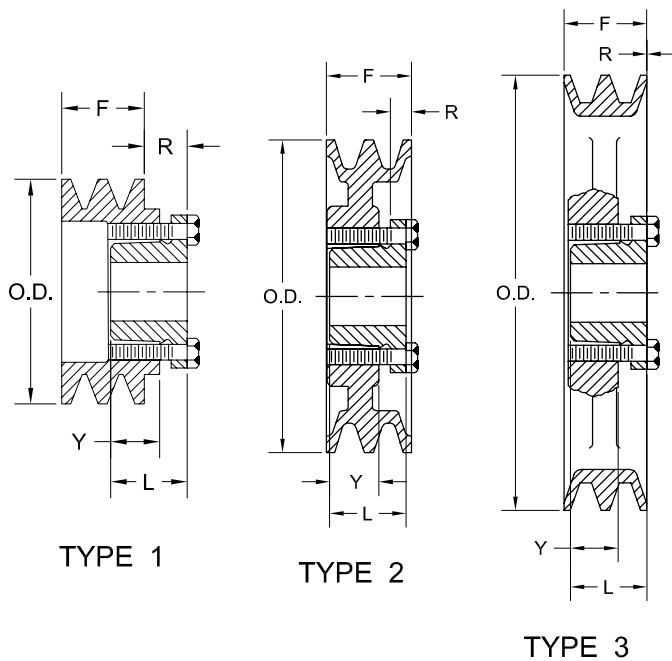


BK - LIGHT DUTY PULLEYS

Single Groove Bored to Size for 4L or A and 5L or B Light Duty V-Belts

MOLINE PART #	O.D.	TYPE	STOCK BORES	F	L	N	D	WEIGHT
BK105	10.25	3	1, 1 3/8, 1 7/16	7/8	1 15/32	2 1/32	1/16	5.8
BK110	10.75	3	3/4, 1, 1 1/8, 1 3/16, 1 3/8, 1 7/16	7/8	1 15/32	2 1/32	1/16	6.4
BK115	11.25	3	1, 1 7/16	7/8	1 15/32	2 1/32	1/16	6.9
BK120	11.75	3	3/4, 1, 1 3/16, 1 7/16	7/8	1 15/32	2 1/32	1/16	7.4
BK130	12.75	3	3/4, 1, 1 1/8, 1 3/16, 1 1/4, 1 7/16	7/8	1 15/32	2 1/32	1/16	8.4
BK140	13.75	3	3/4, 1, 1 3/16, 1 7/16	7/8	1 15/32	2 1/32	1/16	9.4
BK160	15.75	3	1, 1 1/8, 1 3/16, 1 1/4, 1 7/16	7/8	1 15/32	2 1/32	1/16	11.4
BK190	18.75	3	1, 1 3/16, 1 1/4, 1 7/16	7/8	1 15/32	2 1/32	1/16	13.4

Pulleys are cast iron with a black oxide finish and 1 set screw.



For personal service and special requests, please call us at 800.242.4633.

CAD drawings available upon request at no additional charge.



MOLINE BEARING CO.

Post Office Box 99, Batavia, Illinois 60510, USA
630.584.4600, 800.242.4633, 630.584.1999 fax
www.molinebearing.com, sales@molinebearing.com

TEL # **800.242.4633**

149

2BK - LIGHT DUTY PULLEYS

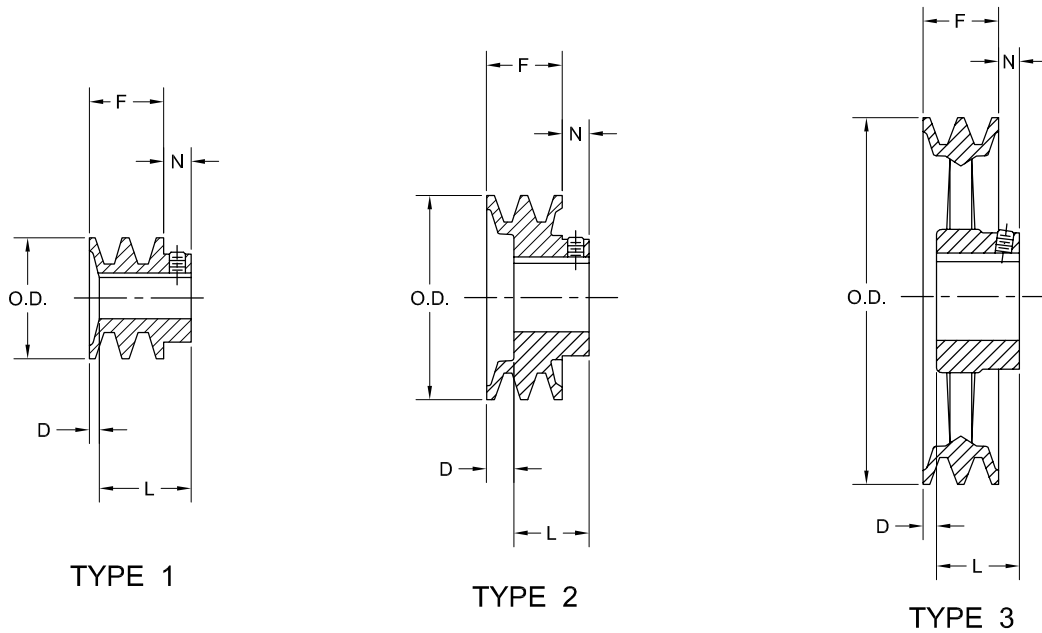
Double Groove Bored to Size for 4L or 5L Light Duty V-Belts

MOLINE PART #	O.D.	TYPE	STOCK BORES	F	L	N	D	WEIGHT
2BK25	2.50	1	1/2, 5/8, 3/4, 7/8	1 3/4	1 31/32	15/32	1/4	1.3
2BK27	2.70	1	1/2, 5/8, 3/4, 7/8, 1, 1 1/8	1 3/4	1 31/32	15/32	1/4	1.6
2BK28	2.80	1	1/2, 5/8, 3/4, 7/8, 1, 1 1/8	1 3/4	1 31/32	15/32	1/4	1.9
2BK30	3.15	1	1/2, 5/8, 3/4, 7/8, 1, 1 1/8	1 3/4	1 31/32	15/32	1/4	2.3
2BK32	3.35	1	5/8, 3/4, 7/8, 1, 1 1/8	1 3/4	1 31/32	15/32	1/4	2.6
2BK34	3.55	1	5/8, 3/4, 7/8, 1, 1 1/8	1 3/4	1 31/32	15/32	1/4	2.8
2BK36	3.75	1	5/8, 3/4, 7/8, 1, 1 1/8, 1 3/8	1 3/4	1 31/32	15/32	1/4	3.3
2BK40	3.95	1	5/8, 3/4, 7/8, 1, 1 1/8	1 3/4	1 15/32	15/32	3/4	3.3
2BK45	4.25	2	1, 1 1/8, 1 3/8	1 3/4	1 15/32	15/32	3/4	3.3
2BK47	4.45	2	7/8, 1, 1 1/8	1 3/4	1 15/32	15/32	3/4	3.7
2BK50	4.75	2	3/4, 1, 1 1/8, 1 3/16, 1 3/8	1 3/4	1 15/32	15/32	3/4	4.1
2BK52	4.95	2	5/8, 3/4, 7/8, 1, 1 1/8, 1 3/16, 1 3/8	1 3/4	1 15/32	15/32	3/4	4.5
2BK55	5.25	2	3/4, 1, 1 1/8, 1 3/8	1 3/4	1 15/32	15/32	3/4	4.5
2BK57	5.45	2	1, 1 1/8, 1 3/8	1 3/4	1 15/32	15/32	3/4	5.1
2BK60	5.75	3	3/4, 7/8, 1, 1 1/8, 1 3/8	1 3/4	1 15/32	15/32	3/4	4.9
2BK62	5.95	3	1, 1 1/8	1 3/4	1 15/32	15/32	3/4	4.8
2BK65	6.25	3	1, 1 1/8, 1 3/8	1 3/4	1 15/32	15/32	3/4	5.0
2BK67	6.45	3	1, 1 1/8, 1 3/8	1 3/4	1 15/32	15/32	3/4	5.0
2BK70	6.75	3	3/4, 1, 1 1/8, 1 3/16, 1 3/8, 1 7/16	1 3/4	1 19/32	11/32	3/4	6.6
2BK80	7.75	3	3/4, 1, 1 1/8, 1 3/16, 1 3/8, 1 7/16	1 3/4	1 19/32	11/32	1/2	7.2
2BK90	8.75	3	3/4, 1, 1 1/8, 1 3/16, 1 3/8, 1 7/16	1 3/4	1 19/32	11/32	1/2	8.4
2BK100	9.75	3	3/4, 1, 1 3/16, 1 3/8, 1 7/16	1 3/4	1 19/32	11/32	1/2	9.4
2BK110	10.75	3	1, 1 3/16, 1 7/16	1 3/4	1 19/32	11/32	1/2	10.4
2BK120	11.75	3	1, 1 3/16, 1 7/16	1 3/4	1 19/32	11/32	1/2	11.8
2BK130	12.75	3	1, 1 3/16, 1 7/16	1 3/4	1 19/32	11/32	1/2	14.9
2BK140	13.75	3	1, 1 3/16, 1 7/16	1 3/4	1 19/32	11/32	1/2	16.3
2BK160	15.75	3	1, 1 3/16, 1 7/16	1 3/4	1 19/32	11/32	1/2	18.0
2BK190	18.75	3	1 3/16, 1 7/16	1 3/4	1 19/32	11/32	1/2	23.3

Pulleys are cast iron with a black oxide finish and 1 set screw.



2BK - LIGHT DUTY PULLEYS



For personal service and special requests, please call us at 800.242.4633.
CAD drawings available upon request at no additional charge.



MOLINE BEARING CO.

Post Office Box 99, Batavia, Illinois 60510, USA
630.584.4600, 800.242.4633, 630.584.1999 fax
www.molinebearing.com, sales@molinebearing.com

TEL # **800.242.4633**

151

BKD - LIGHT DUTY PULLEYS

Single Groove Bushed for 4L or A, and 5L or B Light Duty V-Belts

MOLINE PART #	O.D.	TYPE	F	L	P	X	WEIGHT
BK30D	3.15	1	7/8	1 1/4	7/8	1 5/16	.8
BK32D	3.35	1	7/8	1 1/4	7/8	1 5/16	.8
BK34D	3.55	1	7/8	1 1/4	7/8	1 5/16	1.3
BK36D	3.75	2	7/8	1 1/4	7/16	7/8	1.5
BK40D	3.95	2	7/8	1 1/4	7/16	7/8	1.5
BK45D	4.25	2	7/8	1 1/4	7/16	7/8	1.8
BK47D	4.45	2	7/8	1 1/4	7/16	7/8	1.9
BK50D	4.75	2	7/8	1 1/4	7/16	7/8	2.0
BK52D	4.95	2	7/8	1 1/4	7/16	7/8	2.0
BK55D	5.25	2	7/8	1 1/4	7/16	7/8	2.2
BK57D	5.45	2	7/8	1 1/4	7/16	7/8	2.3
BK60D	5.75	2	7/8	1 1/4	7/16	7/8	2.3
BK62D	5.95	2	7/8	1 1/4	7/16	7/8	2.4
BK65D	6.25	2	7/8	1 1/4	7/16	7/8	2.7
BK67D	6.45	2	7/8	1 1/4	7/16	7/8	2.8
BK70D	6.75	3	7/8	1 1/4	1/2	7/8	3.3
BK72D	6.95	3	7/8	1 1/4	1/2	7/8	3.9
BK75D	7.25	3	7/8	1 1/4	1/2	7/8	3.9
BK77D	7.45	3	7/8	1 1/4	1/2	7/8	4.1
BK80D	7.75	3	7/8	1 1/4	1/2	7/8	4.4
BK85D	8.25	3	7/8	1 1/4	1/2	7/8	5.0
BK90D	8.75	3	7/8	1 1/4	1/2	7/8	5.0
BK95D	9.25	3	7/8	1 1/4	1/2	7/8	5.4
BK100D	9.75	3	7/8	1 1/4	1/2	7/8	5.6
BK105D	10.25	3	7/8	1 1/4	1/2	7/8	5.8
BK110D	10.75	3	7/8	1 1/4	1/2	7/8	6.4



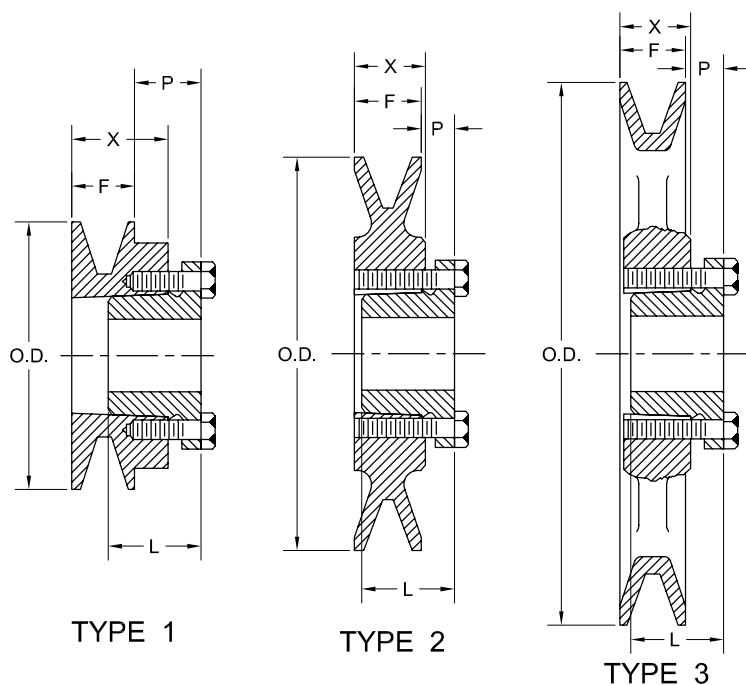
BKD - LIGHT DUTY PULLEYS

Single Groove Bushed for 4L or A, and 5L or B Light Duty V-Belts

MOLINE PART #	O.D.	TYPE	F	L	P	X	WEIGHT
BK115D	11.25	3	$\frac{7}{8}$	$1\frac{1}{4}$	$\frac{1}{2}$	$\frac{7}{8}$	6.9
BK120D	11.75	3	$\frac{7}{8}$	$1\frac{1}{4}$	$\frac{1}{2}$	$\frac{7}{8}$	7.4
BK130D	12.75	3	$\frac{7}{8}$	$1\frac{1}{4}$	$\frac{1}{2}$	$\frac{7}{8}$	8.4
BK140D	13.75	3	$\frac{7}{8}$	$1\frac{1}{4}$	$\frac{1}{2}$	$\frac{7}{8}$	9.4
BK150D	13.75	3	$\frac{7}{8}$	$1\frac{1}{4}$	$\frac{1}{2}$	$\frac{7}{8}$	12.3
BK160D	15.75	3	$\frac{7}{8}$	$1\frac{1}{4}$	$\frac{1}{2}$	$\frac{7}{8}$	11.4
BK190D	18.75	3	$\frac{7}{8}$	$1\frac{1}{4}$	$\frac{1}{2}$	$\frac{7}{8}$	13.4

Pulleys are cast iron with a black oxide finish.

Refer to page 155 for appropriate D Bushings.



For personal service and special requests, please call us at 800.242.4633.

CAD drawings available upon request at no additional charge.



MOLINE BEARING CO.

Post Office Box 99, Batavia, Illinois 60510, USA
 630.584.4600, 800.242.4633, 630.584.1999 fax
www.molinebearing.com, sales@molinebearing.com

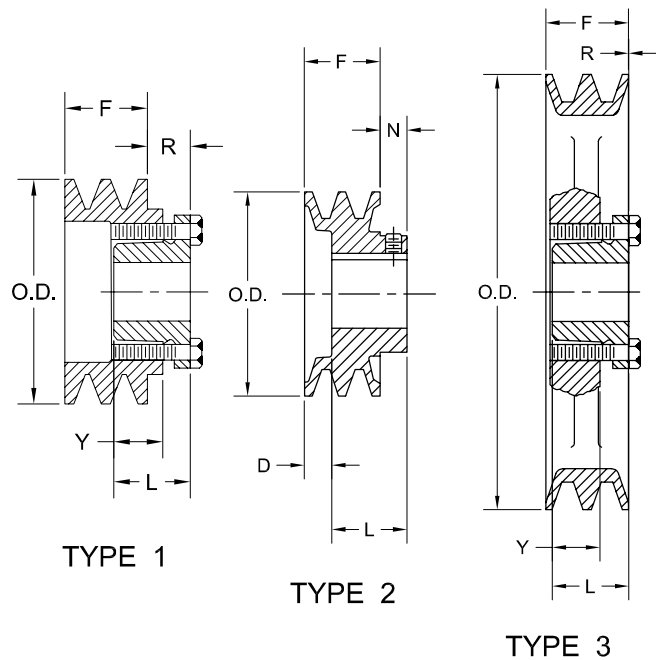
TEL # **800.242.4633**

153

2BKD - LIGHT DUTY PULLEYS

Double Groove Bushed for 4L or A, and 5L or B Light Duty V-Belts

MOLINE PART #	O.D.	TYPE	F	L	R	Y	WEIGHT
2BK32D	3.35	1	1 3/4	1 1/4	7/8	7/8	2.1
2BK34D	3.55	1	1 3/4	1 1/4	7/8	7/8	2.4
2BK36D	3.75	1	1 3/4	1 1/4	7/16	7/8	2.0
2BK40D	3.95	1	1 3/4	1 1/4	7/16	7/8	2.4
2BK45D	4.25	1	1 3/4	1 1/4	7/16	7/8	3.0
2BK47D	4.45	2	1 3/4	1 1/4	7/16	7/8	2.8
2BK50D	4.75	2	1 3/4	1 1/4	7/16	7/8	3.3
2BK52D	4.95	2	1 3/4	1 1/4	7/16	7/8	3.6
2BK55D	5.25	2	1 3/4	1 1/4	7/16	7/8	3.9
2BK57D	5.45	2	1 3/4	1 1/4	7/16	7/8	4.3
2BK60D	5.75	2	1 3/4	1 1/4	7/16	7/8	4.4
2BK62D	5.95	2	1 3/4	1 1/4	7/16	7/8	4.5
2BK65D	6.25	3	1 3/4	1 1/4	7/16	7/8	4.5
2BK67D	6.45	3	1 3/4	1 1/4	7/16	7/8	5.0
2BK70D	6.75	3	1 3/4	1 1/4	7/16	7/8	5.1
2BK80D	7.75	3	1 3/4	1 1/4	7/16	7/8	6.4
2BK90D	8.75	3	1 3/4	1 1/4	7/16	7/8	7.6
2BK100D	9.75	3	1 3/4	1 1/4	7/16	7/8	8.4
2BK110D	10.75	3	1 3/4	1 1/4	7/16	7/8	9.3
2BK120D	11.75	3	1 3/4	1 1/4	7/16	7/8	11.0
2BK130D	12.75	3	1 3/4	1 1/4	7/16	7/8	13.1
2BK140D	13.75	3	1 3/4	1 1/4	7/16	7/8	14.8
2BK160D	15.75	3	1 3/4	1 1/4	7/16	7/8	17.5
2BK190D	18.75	3	1 3/4	1 1/4	7/16	7/8	21.5



Pulleys are cast iron with a black oxide finish.

Refer to page 155 for appropriate D Bushings.

For personal service and special requests, please call us at 800.242.4633.

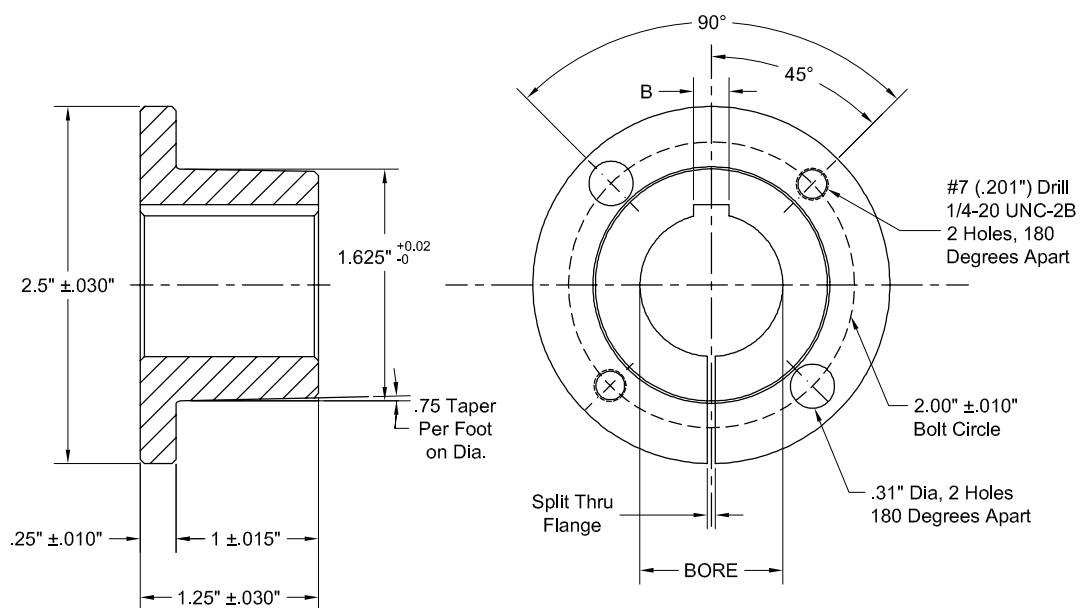
CAD drawings available upon request at no additional charge.

D BUSHINGS

STOCK BORE (INCHES)	MOLINE PART #	KEYSEAT
1/2	D 1/2	1/8 X 1/16
5/8	D 5/8	3/16 X 3/32
3/4	D 3/4	3/16 X 3/32
7/8	D 7/8	3/16 X 3/32
15/16	D 15/16	1/4 X 1/8
1	D 1	1/4 X 1/8
1 1/8	D 1 1/8	1/4 X 1/8
1 3/16	D 1 3/16	1/4 X 1/8
1 1/4	D 1 1/4	1/4 X 1/8
1 5/16	D 1 5/16	5/16 X 1/16*
1 3/8	D 1 3/8	5/16 X 1/16*
1 7/16	D 1 7/16	3/8 X 1/16*
1 1/2	D 1 1/2	3/8 X 1/16*

* Denotes shallow key, keystone is included.

Note: D bushings are comparable to H bushings made by other manufacturers.



MOLINE BEARING CO.

Post Office Box 99, Batavia, Illinois 60510, USA
 630.584.4600, 800.242.4633, 630.584.1999 fax
www.molinebearing.com, sales@molinebearing.com

TEL # **800.242.4633**

155

A-B COMBINATION PULLEY - QD STYLE, 1-GROOVE

F = 7/8, **F = 1"

MOLINE PART #	BUSHING	BORE RANGE	TYPE*	D.D.		O.D.	E	L	M	WT. LESS BUSHING
				"B" BELTS	"A" BELTS					
1B34SH	SH	1/2" - 1 1/8"	E-1	3.4	3.0	3.75	7/32	1 5/8	2 1/32	2.0
1B36SH	SH	1/2 - 1 1/8	D-1	3.6	3.2	3.95	19/32	1 5/8	5/32	2.2
1B38SH	SH	1/2 - 1 1/8	D-1	3.8	3.4	4.15	19/32	1 5/8	5/32	2.4
1B40SH	SH	1/2 - 1 1/8	C-1	4.0	3.6	4.35	1 1/32	1 5/8	3/32	2.7
1B42SH	SH	1/2 - 1 1/8	C-1	4.2	3.8	4.55	1 1/32	1 5/8	3/32	2.9
1B44SH	SH	1/2 - 1 1/8	C-1	4.4	4.0	4.75	1 1/32	1 5/8	3/32	3.4
1B46SDS	SDS	1/2 - 2	C-1	4.6	4.2	4.95	1 1/32	1 5/8	3/32	4.0
1B48SDS	SDS	1/2 - 2	C-1	4.8	4.4	5.15	1 1/32	1 5/8	3/32	4.3
1B50SDS	SDS	1/2 - 2	C-1	5.0	4.6	5.35	1 1/32	1 5/8	3/32	4.7
1B52SDS	SDS	1/2 - 2	C-1	5.2	4.8	5.55	1 1/32	1 5/8	3/32	5.0
1B54SDS	SDS	1/2 - 2	C-1	5.4	5.0	5.75	1 1/32	1 5/8	3/32	5.3
1B56SDS	SDS	1/2 - 2	C-1	5.6	5.2	5.95	1 1/32	1 5/8	3/32	5.6
1B58SDS	SDS	1/2 - 2	C-1	5.8	5.4	6.15	1 1/32	1 5/8	3/32	5.9
1B60SDS	SDS	1/2 - 2	C-1	6.0	5.6	6.35	1 1/32	1 5/8	3/32	6.2
1B62SDS	SDS	1/2 - 2	C-1	6.2	5.8	6.55	1 1/32	1 5/8	3/32	6.5
1B64SDS	SDS	1/2 - 2	C-1	6.4	6.0	6.75	1 1/32	1 5/8	3/32	6.8
1B66SDS	SDS	1/2 - 2	C-1	6.6	6.2	6.95	1 1/32	1 5/8	3/32	7.2
1B68SDS	SDS	1/2 - 2	C-1	6.8	6.4	7.15	1 1/32	1 5/8	3/32	7.5
1B70SDS	SDS	1/2 - 2	C-1	7.0	6.6	7.35	1 1/32	1 5/8	3/32	7.8
1B74SDS**	SDS	1/2 - 2	C-2	7.4	7.0	7.75	17/32	1 5/8	7/32	8.8
1B80SDS**	SDS	1/2 - 2	C-2	8.0	7.6	8.35	17/32	1 5/8	7/32	9.6
1B86SDS**	SDS	1/2 - 2	C-2	8.6	8.2	8.95	17/32	1 5/8	7/32	10.0
1B94SDS	SDS	1/2 - 2	C-2	9.4	9.0	9.75	17/32	1 5/8	7/32	10.5

