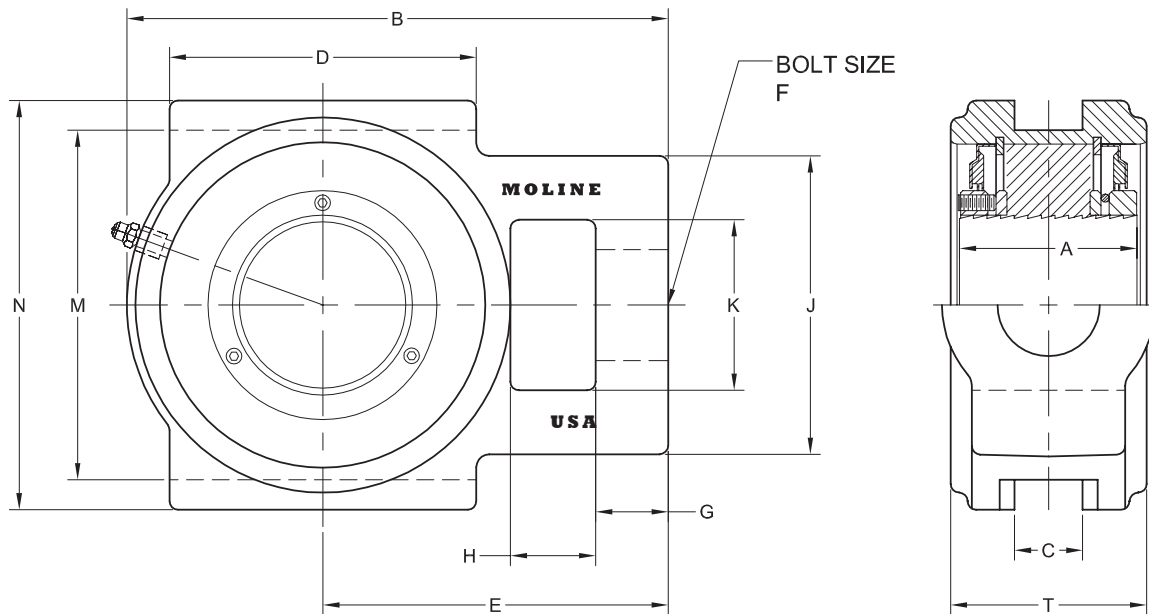


M3000 EVEN-LOK™ WIDE SLOT TAKE-UP

SHAFT SIZE	MOLINE PART #		DIMENSIONS (INCHES)				
	EXP	NON-EXP	A	B	C	D	E
1 ¹⁵ / ₁₆ 2	19651115 19651200	19751115 19751200	2 ¹¹ / ₃₂	6 ⁵ / ₁₆	1 ¹ / ₁₆	3 ³ / ₄	3 ¹⁵ / ₁₆
2 ³ / ₁₆	19651203	19751203	2 ¹¹ / ₃₂	7 ¹ / ₈	1 ³ / ₁₆	3 ³ / ₄	4 ⁵ / ₈
2 ⁷ / ₁₆ 2 ¹ / ₂	19651207 19651208	19751207 19751208	2 ³⁷ / ₆₄	7 ¹³ / ₁₆	1 ¹ / ₃₂	4 ¹ / ₂	5 ¹ / ₁₆
2 ¹¹ / ₁₆ 2 ³ / ₄ 2 ¹⁵ / ₁₆ 3	19651211 19651212 19651215 19651300	19751211 19751212 19751215 19751300	2 ³⁷ / ₆₄	9 ¹ / ₈	1 ²⁵ / ₃₂	4 ³ / ₄	5 ⁷ / ₈
3 ⁷ / ₁₆ 3 ¹ / ₂	19651307 19651308	19751307 19751308	3 ⁹ / ₆₄	10 ¹ / ₄	1 ²⁵ / ₃₂	6	6 ³ / ₈

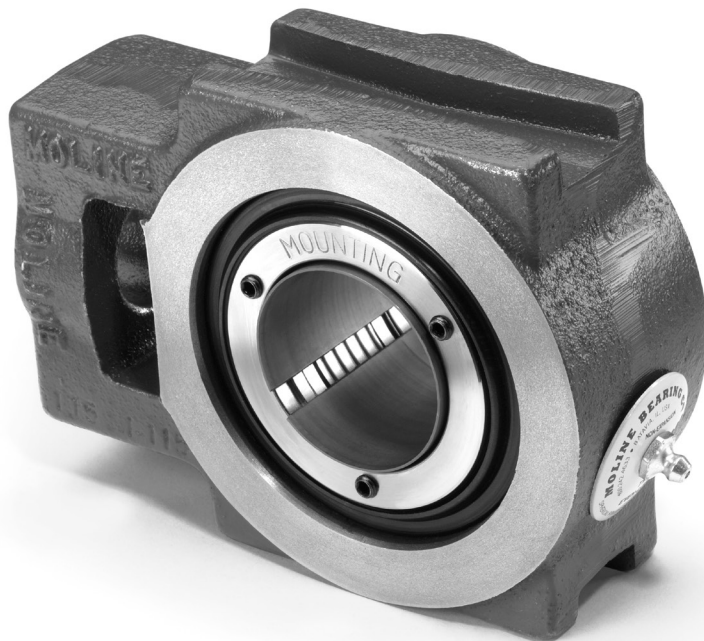
Refer to Mounting and Dismounting Instructions on pages 86 and 87.



M3000 EVEN-LOK™ WIDE SLOT TAKE-UP

SHAFT SIZE	DIMENSIONS (INCHES)								WEIGHT LBS.
	F	G	H	J	K	M	N	T	
1 ¹⁵ / ₁₆ 2	1	¹⁵ / ₁₆	³ / ₄	3 ⁵ / ₁₆	1 ¹⁵ / ₁₆	4	4 ³ / ₄	2 ⁷ / ₁₆	12
2 ³ / ₁₆	1 ¹ / ₈	1	1	3 ⁷ / ₈	2 ¹ / ₄	4 ¹ / ₂	5 ¹ / ₄	2 ⁹ / ₁₆	16
2 ⁷ / ₁₆ 2 ¹ / ₂	1 ¹ / ₂	1 ¹ / ₁₆	1 ¹ / ₄	4 ¹ / ₄	2 ¹ / ₂	5 ¹ / ₈	6	2 ³ / ₄	21
2 ¹¹ / ₁₆ 2 ³ / ₄ 2 ¹⁵ / ₁₆ 3	1 ¹ / ₂	1 ³ / ₈	1 ¹ / ₄	4 ⁷ / ₈	2 ³ / ₄	5 ¹⁵ / ₁₆	6 ³ / ₄	3	30
3 ⁷ / ₁₆ 3 ¹ / ₂	1 ³ / ₄	1 ¹ / ₁₆	1 ⁵ / ₈	4 ⁷ / ₈	2 ⁷ / ₈	6 ¹³ / ₁₆	7 ¹³ / ₁₆	3 ¹³ / ₁₆	45

M3000 EVEN-LOK™
SPHERICALS



For personal service and special requests, please call us at 800.242.4633.

CAD drawings available upon request at no additional charge.

For nomenclature see pages 226 and 227.



Post Office Box 99, Batavia, Illinois 60510, USA
630.584.4600, 800.242.4633, 630.584.1999 fax
www.molinebearing.com, sales@molinebearing.com

MOLINE BEARING CO.

TEL # **800.242.4633**

85