

M3000 EVEN-LOK™ PILOTED FLANGE CARTRIDGE

SHAFT SIZE	MOLINE PART #		DIMENSIONS (INCHES)										WEIGHT LBS.
	EXP	NON-EXP	A	B	C	D	E	F	G	H	K	M	
1 7/16 1 1/2	19631107 19631108	19731107 19731108	2 11/32	5 1/4	2 1/16	4 3/8	1 9/32	3/8	13/16	1/2	3 5/8	3 3/32	7
1 11/16 1 3/4	19631111 19631112	19731111 19731112	2 11/32	6 1/8	2 3/16	5 1/8	7/8	7/16	3/4	1/2	4 1/4	3 5/8	8.5
1 15/16 2	19631115 19631200	19731115 19731200	2 11/32	6 3/8	2 3/16	5 3/8	7/8	7/16	11/16	1/2	4 1/2	3 51/64	10.5
2 3/16	19631203	19731203	2 11/32	7 1/8	2 7/16	6	1	1/2	15/16	1/2	5	4 1/4	14.5
2 7/16 2 1/2	19631207 19631208	19731207 19731208	2 37/64	7 5/8	2 11/16	6 1/2	1	1/2	1 1/16	5/8	5 1/2	4 19/32	16
2 11/16 2 3/4 2 15/16 3	19631211 19631212 19631215 19631300	19731211 19731212 19731215 19731300	2 37/64	8 3/4	2 13/16	7 1/2	1 1/4	5/8	1	3/4	6 3/8	5 19/64	22
3 7/16 3 1/2	19631307 19631308	19731307 19731308	3 9/64	10 1/4	3 1/4	8 5/8	1 1/4	3/4	1 1/2	15/16	7 3/8	6 3/32	33
3 15/16 4	19631315 19631400	19731315 19731400	3 9/64	10 7/8	3 9/16	9 3/8	1 1/2	3/4	1 7/16	1 1/16	8 1/8	6 5/8	45

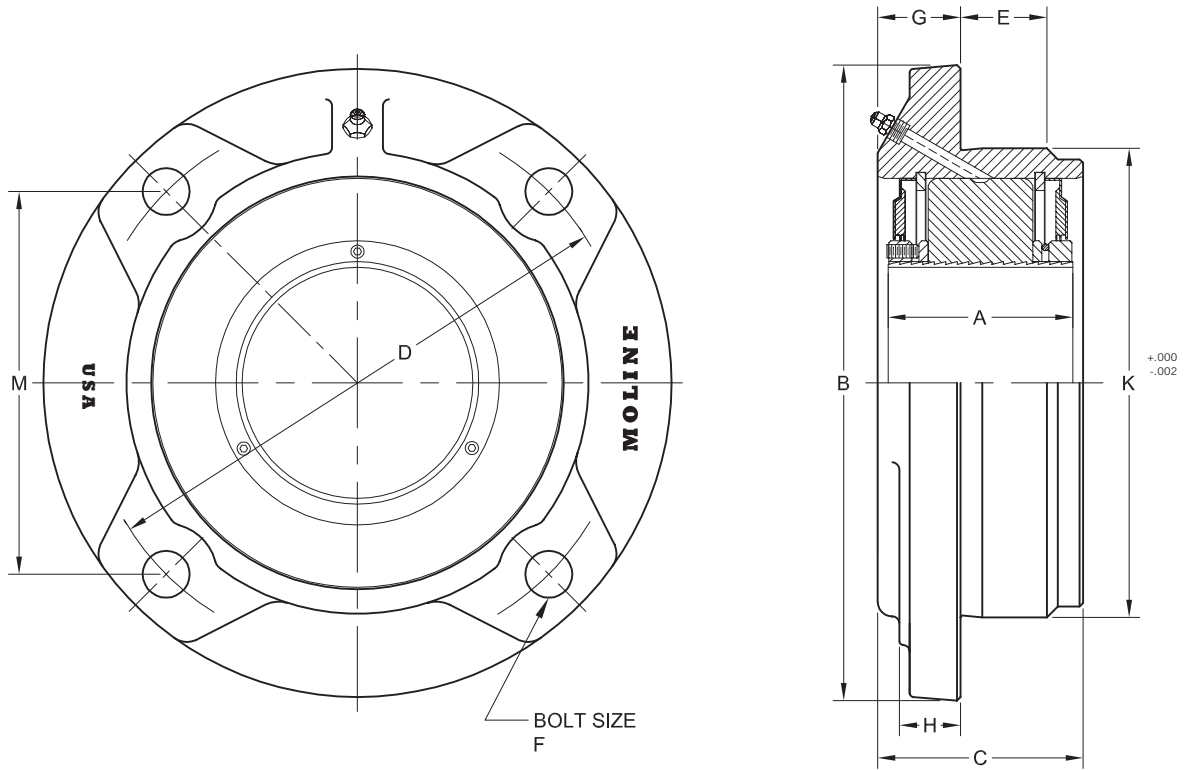
Refer to Mounting and Dismounting Instructions on pages 86 and 87.

Please Note: Before mounting, make sure there is sufficient clearance to access dismounting set screws on the back of the housing unit (yellow plastic protection plugs)

M3000 EVEN-LOK™
SPHERICALS



M3000 EVEN-LOK™ PILOTED FLANGE CARTRIDGE



M3000 EVEN-LOK™
SPHERICALS



For personal service and special requests, please call us at 800.242.4633. CAD drawings available upon request at no additional charge.

For nomenclature see pages 226 and 227.



Post Office Box 99, Batavia, Illinois 60510, USA
630.584.4600, 800.242.4633, 630.584.1999 fax
www.molinebearing.com, sales@molinebearing.com

MOLINE BEARING CO.

TEL # **800.242.4633**