

# M3000 EVEN-LOK™ 4-BOLT FLANGE

SHAFT SIZE	MOLINE PART #		DIMENSIONS (INCHES)								WEIGHT LBS.
	EXP	NON-EXP	A	B	C	D	E	F	H	J	
1 7/16 1 1/2	19611107 19611108	19711107 19711108	2 11/32	4 5/8	2 1/4	3 17/32	5	1/2	3/4	3 7/8	7
1 11/16 1 3/4	19611111 19611112	19711111 19711112	2 11/32	5	2 1/4	3 57/64	5 1/2	1/2	3/4	4 1/4	10
1 15/16 2	19611115 19611200	19711115 19711200	2 11/32	5 1/4	2 1/4	4 1/16	5 3/4	1/2	3/4	4 1/2	10.5
2 3/16	19611203	19711203	2 11/32	5 7/8	2 7/16	4 1/2	6 3/8	5/8	3/4	5	12.5
2 7/16 2 1/2	19611207 19611208	19711207 19711208	2 37/64	6 1/8	2 3/4	4 25/32	6 3/4	5/8	1	5 3/4	16.5
2 11/16 2 3/4 2 15/16 3	19611211 19611212 19611215 19611300	19711211 19711212 19711215 19711300	2 37/64	7 1/4	2 7/8	5 9/16	7 7/8	3/4	1	6 5/8	25
3 7/16 3 1/2	19611307 19611308	19711307 19711308	3 9/64	8 3/8	3 1/4	6 23/32	9 1/2	3/4	1 1/8	7 5/8	35
3 15/16 4	19611315 19611400	19711315 19711400	3 9/64	9 1/2	3 9/16	7 19/32	10 3/4	7/8	1 3/16	8 3/8	48

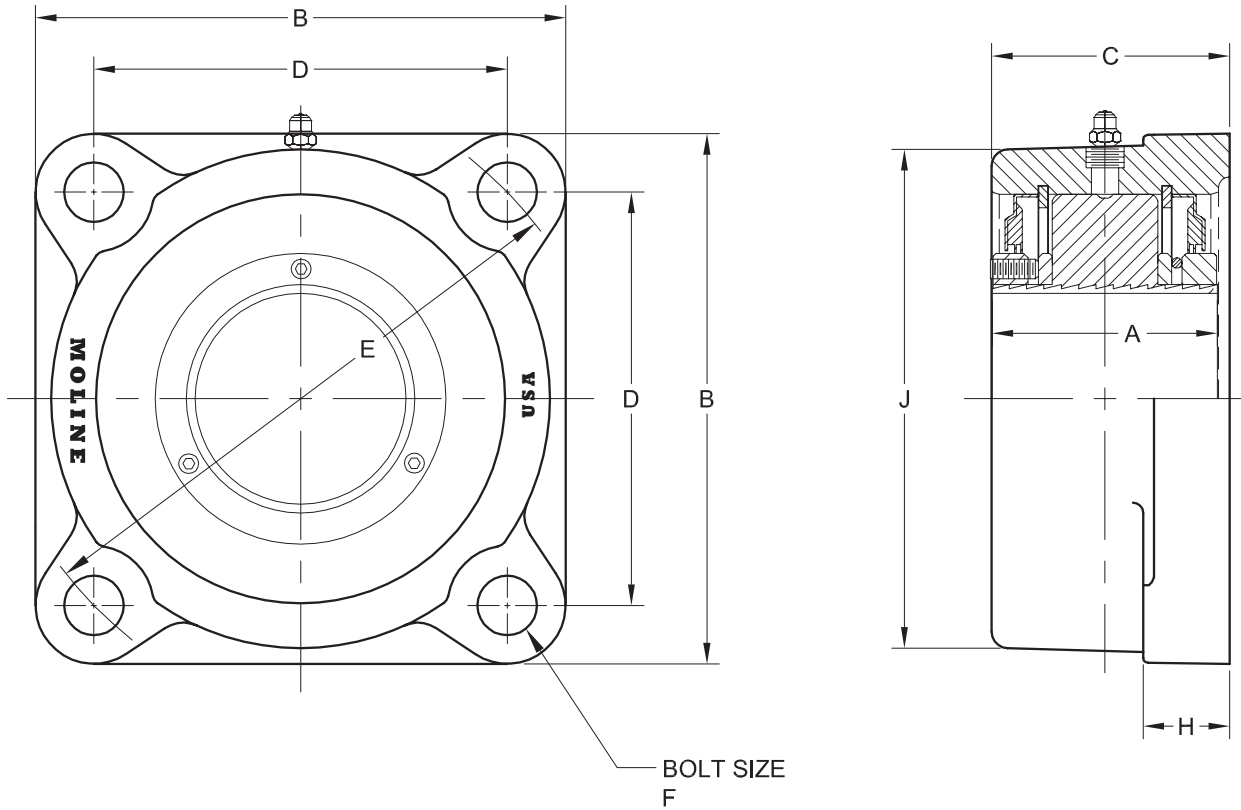
Refer to Mounting and Dismounting Instructions on pages 86 and 87.

Please Note: Before mounting, make sure there is sufficient clearance to access dismounting set screws on the back of the housing unit (yellow plastic protection plugs)

M3000 EVEN-LOK™  
SPHERICALS



# M3000 EVEN-LOK™ 4-BOLT FLANGE



M3000 EVEN-LOK™  
SPHERICALS



For personal service and special requests, please call us at 800.242.4633.  
CAD drawings available upon request at no additional charge.  
**For nomenclature see pages 226 and 227.**



Post Office Box 99, Batavia, Illinois 60510, USA  
630.584.4600, 800.242.4633, 630.584.1999 fax  
www.molinebearing.com, sales@molinebearing.com

**MOLINE BEARING CO.**

TEL # **800.242.4633**