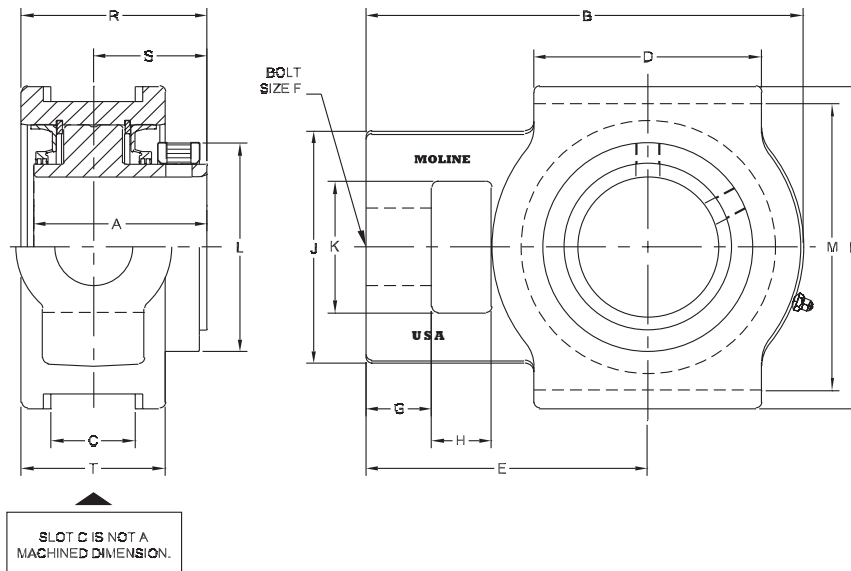


# M2000 WIDE SLOT TAKE-UP

M2000  
SPHERICALS

SHAFT SIZE	MOLINE PART #		DIMENSIONS (INCHES)							
	EXP.	NON-EXP	A	B	C	D	E	F	G	H
1 15/16	19151115	19251115								
2	19151200	19251200	2 7/8	6 5/16	1 1/16	3 3/4	3 15/16	1	15/16	3/4
50mm	19151050	19251050								
2 3/16	19151203	19251203								
2 1/4	19151204	19251204	3 1/8	7 1/8	1 3/16	3 3/4	4 5/8	1 1/8	1	1
55mm	19151055	19251055								
2 7/16	19151207	19251207								
2 1/2	19151208	19251208	3 3/8	7 13/16	1 1/32	4 1/2	5 1/16	1 1/2	1 1/16	1 1/4
60mm	19151060	19251060								
65mm	19151065	19251065								
2 11/16	19151211	19251211								
2 3/4	19151212	19251212	3 5/8	9 1/8	1 25/32	4 3/4	5 7/8	1 1/2	1 3/8	1 1/4
2 15/16	19151215	19251215								
3	19151300	19251300								
70mm	19151070	19251070								
75mm	19151075	19251075								
3 3/16	19151303	19251303								
3 7/16	19151307	19251307	4 1/32	10 1/4	1 25/32	6	6 3/8	1 3/4	1 1/16	1 5/8
3 1/2	19151308	19251308								
80mm	19151080	19251080								
85mm	19151085	19251085								
90mm	19151090	19251090								



# M2000 WIDE SLOT TAKE-UP

M2000  
SPHERICALS

SHAFT SIZE	DIMENSIONS (INCHES)								WEIGHT LBS.
	J	K	L	M	N	R	S	T	
1 15/16 2 50mm	3 5/16	1 15/16	2 7/8	4	4 3/4	3 1/16	1 7/8	2 7/16	10
2 3/16 2 1/4 55mm	3 7/8	2 1/4	3 1/4	4 1/2	5 1/4	3 1/4	2	2 9/16	12
2 7/16 2 1/2 60mm 65mm	4 1/4	2 1/2	4	5 1/8	6	3 1/2	2 1/8	2 3/4	16
2 11/16 2 3/4 2 15/16 3 70mm 75mm	4 7/8	2 3/4	4 3/8	5 15/16	6 3/4	3 7/8	2 3/8	3	22
3 3/16 3 7/16 3 1/2 80mm 85mm 90mm	4 7/8	2 7/8	5 1/8	6 13/16	7 13/16	4 1/2	2 19/32	3 13/16	38



For personal service and special requests, please call us at 800.242.4633.

CAD drawings available upon request at no additional charge.

**For nomenclature see pages 226 and 227.**



Post Office Box 99, Batavia, Illinois 60510, USA  
630.584.4600, 800.242.4633, 630.584.1999 fax  
www.molinebearing.com, sales@molinebearing.com

**MOLINE BEARING C°**

TEL # **800.242.4633**

61