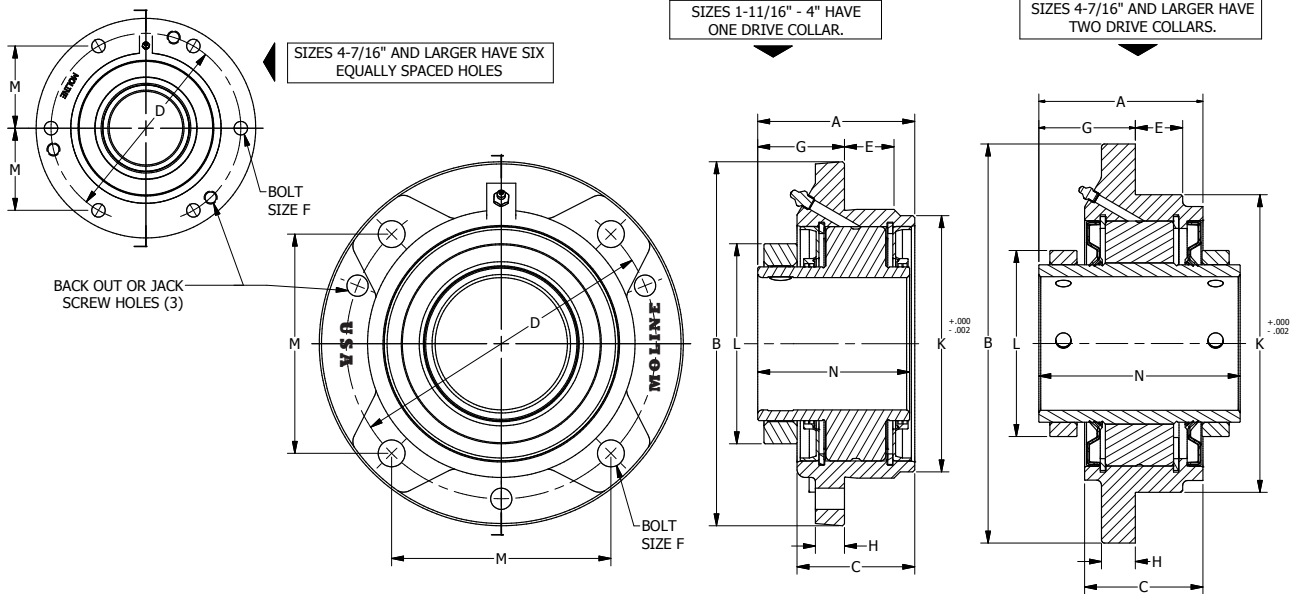


M2000 PILOTED FLANGE CARTRIDGE

M2000
SPHERICALS

SHAFT SIZE	MOLINE PART #		DIMENSIONS (INCHES)												WEIGHT LBS.		
	EXP	NON-EXP	A	B	C	D	E	F	G	H	K	L	M	N			
1 3/16	19131103	19231103															
1 1/4	19131104	19231104	2 13/16	5 1/4	2 1/16	4 3/8	1 9/32	3/8	1 9/16	1/2	3 5/8	2 1/2	3 3/32	2 3/4			7
1 7/16	19131107	19231107															
1 1/2	19131108	19231108															
1 11/16	19131111	19231111															
1 3/4	19131112	19231112	3	6 1/8	2 3/16	5 1/8	7/8	7/16	1 9/16	1/2	4 1/4	2 5/8	3 5/8	2 7/8			8.5
40mm	19131040	19231040															
45mm	19131045	19231045															
1 15/16	19131115	19231115															
2	19131200	19231200	3	6 3/8	2 3/16	5 3/8	7/8	7/16	1 1/2	1/2	4 1/2	2 7/8	3 51/64	2 7/8			10.5
50mm	19131050	19231050															
2 3/16	19131203	19231203															
2 1/4	19131204	19231204	3 1/4	7 1/8	2 7/16	6	1	1/2	1 25/32	1/2	5	3 1/4	4 1/4	3 1/8			14.5
55mm	19131055	19231055															
2 7/16	19131207	19231207															
2 1/2	19131208	19231208	3 1/2	7 5/8	2 11/16	6 1/2	1	1/2	1 7/8	5/8	5 1/2	4	4 19/32	3 3/8			16
60mm	19131060	19231060															
65mm	19131065	19231065															



M2000 PILOTED FLANGE CARTRIDGE

M2000
SPHERICALS

SHAFT SIZE	MOLINE PART #		DIMENSIONS (INCHES)												WEIGHT LBS.		
	EXP	NON-EXP	A	B	C	D	E	F	G	H	K	L	M	N			
2 1/16	19131211	19231211															
2 3/4	19131212	19231212															
2 15/16	19131215	19231215	3 13/16	8 3/4	2 13/16	7 1/2	1 1/4	5/8	2	3/4	6 3/8	4 3/8	5 19/64	3 5/8			22
3	19131300	19231300															
70mm	19131070	19231070															
75mm	19131075	19231075															
3 3/16	19131303	19231303															
3 7/16	19131307	19231307															
3 1/2	19131308	19231308	4 1/4	10 1/4	3 1/4	8 5/8	1 1/4	3/4	2 1/2	15/16	7 3/8	5 1/8	6 3/32	4 1/32			33
80mm	19131080	19231080															
85mm	19131085	19231085															
90mm	19131090	19231090															
3 1/16	19131311	19231311															
3 15/16	19131315	19231315	4 3/4	10 7/8	3 9/16	9 3/8	1 1/2	3/4	2 5/8	1 1/16	8 1/8	6	6 5/8	4 19/32			45
4	19131400	19231400															
100mm	19131100	19231100															
4 7/16	19131407	19231407															
4 1/2	19131408	19231408	5 5/32	13 1/2	4	11 3/4	1 1/2	3/4	3 3/16	1	10 1/4	6 1/8	5 3/32	6 1/8			72
110mm	19131110	19231110															
115mm	19131115M	19231115M															
4 15/16	19131415	19231415															
5	19131500	19231500	6 1/16	14 3/4	5 3/4	12 3/4	1 3/4	7/8	3 9/16	1 1/4	11	6 7/8	5 17/32	7 7/16			99
125mm	19131125	19231125															
130mm	19131130	19231130															



Note: Sizes 2 7/16"– 4" have one drive collar. For sizes 4 7/16" and larger have 2 drive collars.

For personal service and special requests, please call us at 800.242.4633.

CAD drawings available upon request at no additional charge.

For nomenclature see pages 226 and 227.



Post Office Box 99, Batavia, Illinois 60510, USA
630.584.4600, 800.242.4633, 630.584.1999 fax
www.molinebearing.com, sales@molinebearing.com

MOLINE BEARING CO.

TEL # **800.242.4633**

59