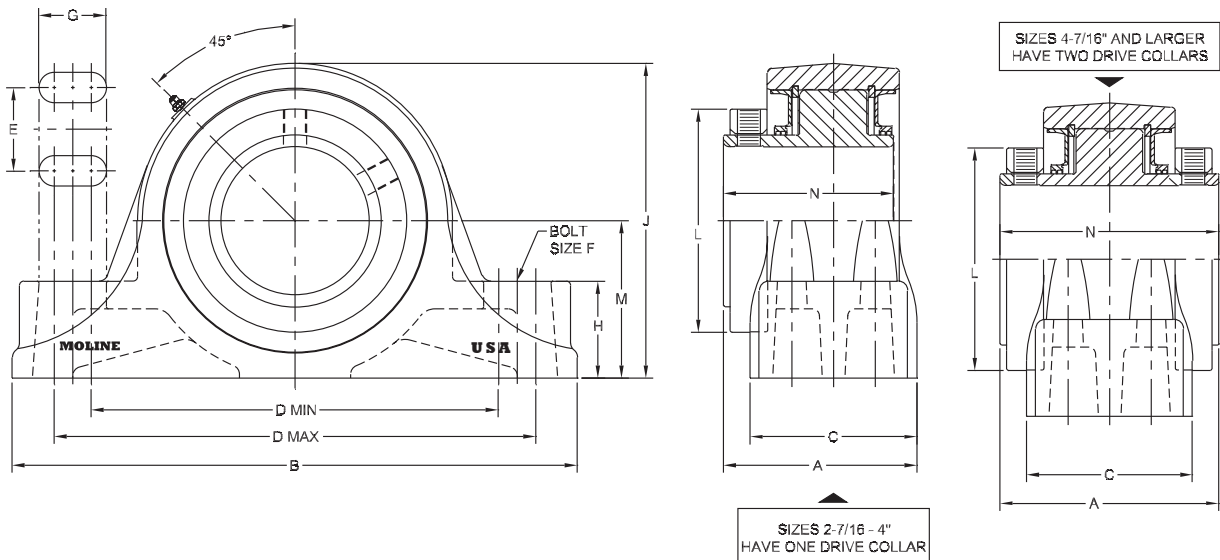


M2000 4-BOLT PILLOW BLOCK

M2000 SPHERICALS

SHAFT SIZE	MOLINE PART #		DIMENSIONS (INCHES)					
	EXP	NON-EXP	A	B	C	MIN D	CENTER TO CENTER D	MAX D
2 7/16	19141207	19241207	3 3/4	9 1/4	3 1/4	6 7/8	7 1/4	7 5/8
2 1/2	19141208	19241208						
60mm	19141060	19241060						
65mm	19141065	19241065						
2 11/16	19141211	19241211	4 1/4	10 1/2	3 3/4	7 7/8	8 1/8	8 3/8
2 3/4	19141212	19241212						
2 15/16	19141215	19241215						
3	19141300	19241300						
70mm	19141070	19241070						
75mm	19141075	19241075						
3 3/16	19141303	19241303	4 9/16	13	3 7/8	9 1/4	10	10 3/4
3 7/16	19141307	19241307						
3 1/2	19141308	19241308						
80mm	19141080	19241080						
85mm	19141085	19241085						
90mm	19141090	19241090						



M2000 4-BOLT PILLOW BLOCK

SHAFT SIZE	DIMENSIONS (INCHES)								WEIGHT LBS.
	E	F	G	H	J	L	M	N	
2 ⁷ / ₁₆ 2 ¹ / ₂ 60mm 65mm	1 ³ / ₄	1 ¹ / ₂	1 ⁵ / ₁₆	1 ³ / ₄	5 ¹¹ / ₁₆	4	2 ³ / ₄	3 ³ / ₈	17
2 ¹¹ / ₁₆ 2 ³ / ₄ 2 ¹⁵ / ₁₆ 3 70mm 75mm	1 ⁷ / ₈	5 ⁵ / ₈	1 ⁵ / ₁₆	2 ¹ / ₄	6 ⁷ / ₁₆	4 ³ / ₈	3 ¹ / ₄	3 ⁵ / ₈	26
3 ³ / ₁₆ 3 ⁷ / ₁₆ 3 ¹ / ₂ 80mm 85mm 90mm	2	3 ³ / ₄	1 ⁹ / ₁₆	2 ¹ / ₄	7 ¹ / ₂	5 ¹ / ₈	3 ³ / ₄	4 ¹ / ₃₂	38

M2000 SPHERICALS



Note: Sizes 2⁷/₁₆" – 4" have one drive collar. For sizes 4⁷/₁₆" and larger have 2 drive collars.

For personal service and special requests, please call us at 800.242.4633.

CAD drawings available upon request at no additional charge.

For nomenclature see pages 226 and 227.



Post Office Box 99, Batavia, Illinois 60510, USA
630.584.4600, 800.242.4633, 630.584.1999 fax
www.molinebearing.com, sales@molinebearing.com

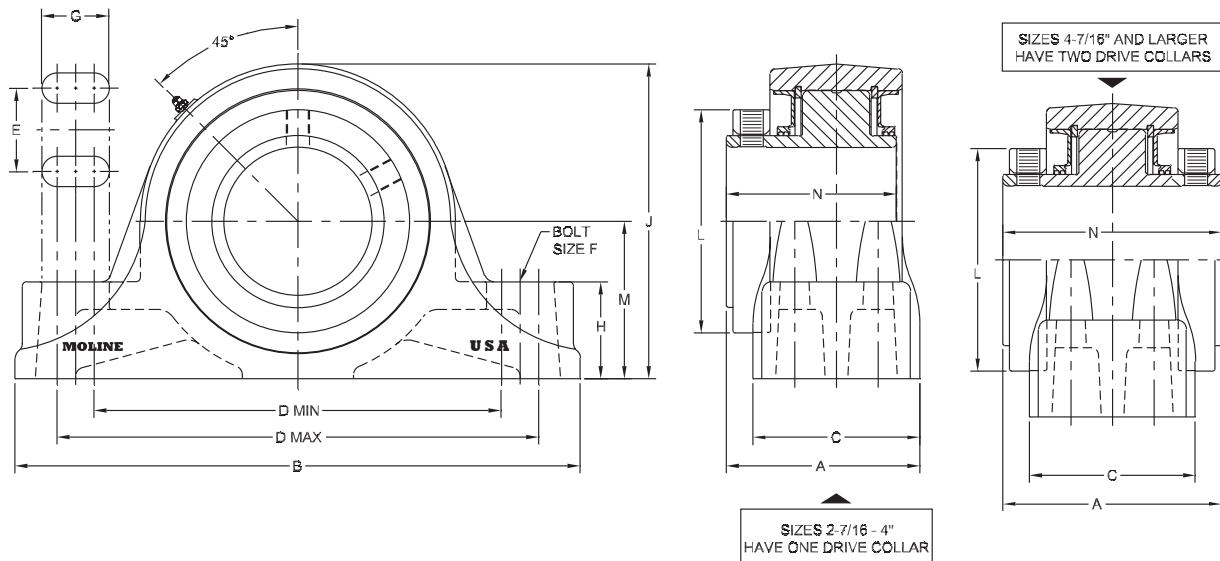
MOLINE BEARING CO.

TEL # **800.242.4633**

M2000 4-BOLT PILLOW BLOCK CONTINUED

M2000 SPHERICALS

SHAFT SIZE	MOLINE PART #		DIMENSIONS (INCHES)					
	EXP	NON-EXP	A	B	C	MIN D	CENTER TO CENTER D	MAX D
3 11/16	19141311	19241311	5 1/4	15 1/4	4 1/2	11	12	13
3 15/16	19141315	19241315						
4	19141400	19241400						
100mm	19141100	19241100						
4 7/16	19141407	19241407	6 1/8	16 1/2	4 3/4	13	13 1/2	14
4 1/2	19141408	19241408						
110mm	19141110	19241110						
115mm	19141115	19241115						
4 15/16	19141415	19241415	6 5/8	18 5/8	5 3/8	15	15 1/2	16
5	19141500	19241500						
125mm	19141125	19241125						
130mm	19141130	19241130						



M2000 4-BOLT PILLOW BLOCK

SHAFT SIZE	DIMENSIONS (INCHES)								WEIGHT LBS.
	E	F	G	H	J	L	M	N	
3 11/16 3 15/16 4 100mm	2 1/4	3/4	1 13/16	2 5/8	8 1/2	6	4 1/4	4 19/32	50
4 7/16 4 1/2 110mm 115mm	2 1/2	3/4	1 5/16	2 3/4	9 1/2	6 1/8	4 3/4	6 1/8	72
4 15/16 5 125mm 130mm	2 3/4	7/8	1 1/2	3	11 1/8	6 7/8	5 1/2	6 5/8	107

M2000 SPHERICALS



Note: Sizes 2 7/16" – 4" have one drive collar. For sizes 4 7/16" and larger have 2 drive collars.

For personal service and special requests, please call us at 800.242.4633.

CAD drawings available upon request at no additional charge.

For nomenclature see pages 226 and 227.



Post Office Box 99, Batavia, Illinois 60510, USA
630.584.4600, 800.242.4633, 630.584.1999 fax
www.molinebearing.com, sales@molinebearing.com

MOLINE BEARING CO.

TEL # **800.242.4633**

55