

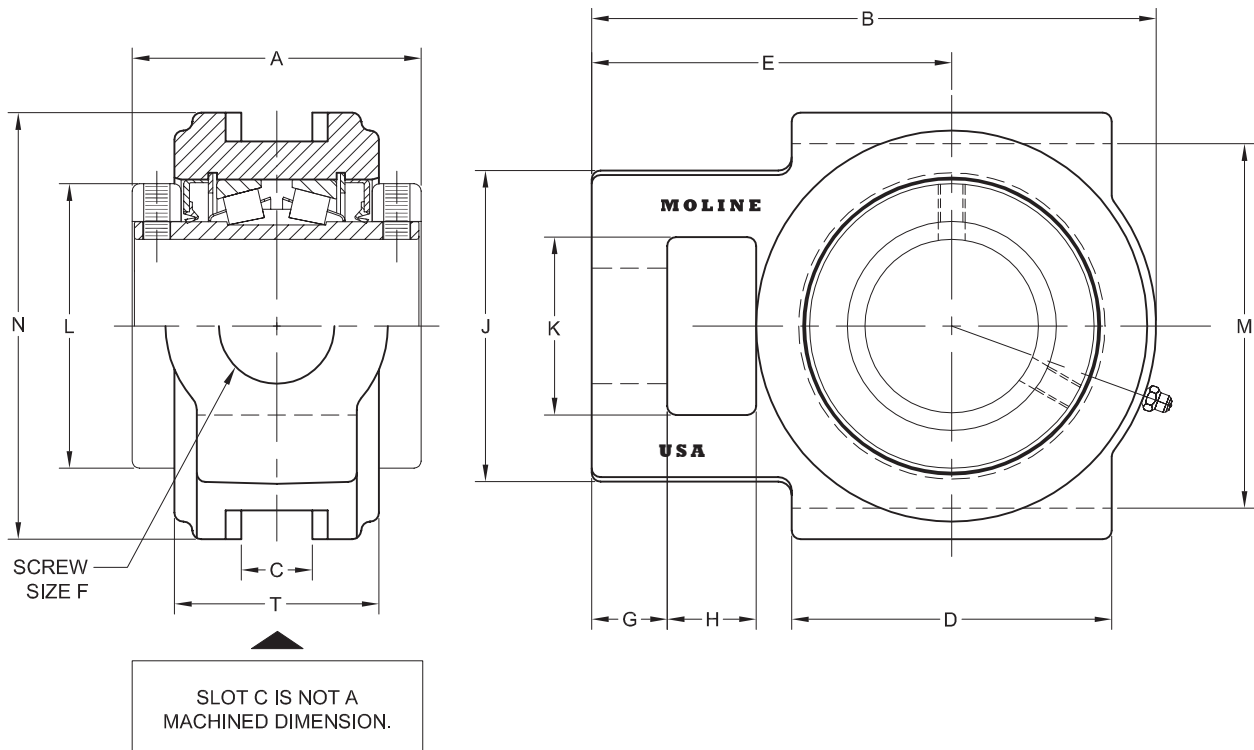
# TYPE E WIDE SLOT TAKE-UP

SHAFT SIZE	MOLINE PART #	DIMENSIONS (INCHES)														WEIGHT LBS.
		A	B	C	D	E	F	G	H	J	K	L	M	N	T	
1 3/4	19351112	3 1/2	6 5/16	1 1/16	3 3/4	3 15/16	1	1 5/16	3/4	3 5/16	1 15/16	3 3/8	4	4 3/4	2 7/16	12
1 7/8	19351114															
1 15/16	19351115															
2	19351200															
45mm	19351045															
50mm	19351050															
2 3/16	19351203	3 3/4	7 1/8	1 3/16	3 3/4	4 5/8	1 1/8	1	1	3 7/8	2 1/4	3 3/4	4 1/2	5 1/4	2 9/16	16
55mm	19351055															
2 1/4	19351204	4	7 13/16	1 1/32	4 1/2	5 1/16	1 1/2	1 1/16	1 1/4	4 1/4	2 1/2	4	5 1/8	6	2 3/4	21
2 7/16	19351207															
2 1/2	19351208															
60mm	19351060															
65mm	19351065															
2 11/16	19351211	4 1/2	9 1/8	1 25/32	4 3/4	5 7/8	1 1/2	1 3/8	1 1/4	4 7/8	2 3/4	4 11/16	5 15/16	6 3/4	3	30
2 3/4	19351212															
2 15/16	19351215															
3	19351300															
70mm	19351070															
75mm	19351075															
3 3/16	19351303	5	10 1/4	1 25/32	6	6 3/8	1 3/4	1 1/16	1 5/8	4 7/8	2 7/8	5 5/16	6 13/16	7 13/16	3 13/16	45
3 1/4	19351304															
3 7/16	19351307															
3 1/2	19351308															
80mm	19351080															
85mm	19351085															
90mm	19351090															



# TYPE E WIDE SLOT TAKE-UP

TYPE E



For personal service and special requests, please call us at 800.242.4633. CAD drawings available upon request at no additional charge.

**Furnished in non-expansion type only.**

**For nomenclature see pages 226 and 227.**



Post Office Box 99, Batavia, Illinois 60510, USA  
630.584.4600, 800.242.4633, 630.584.1999 fax  
www.molinebearing.com, sales@molinebearing.com

**MOLINE BEARING CO.**

TEL # **800.242.4633**

33