

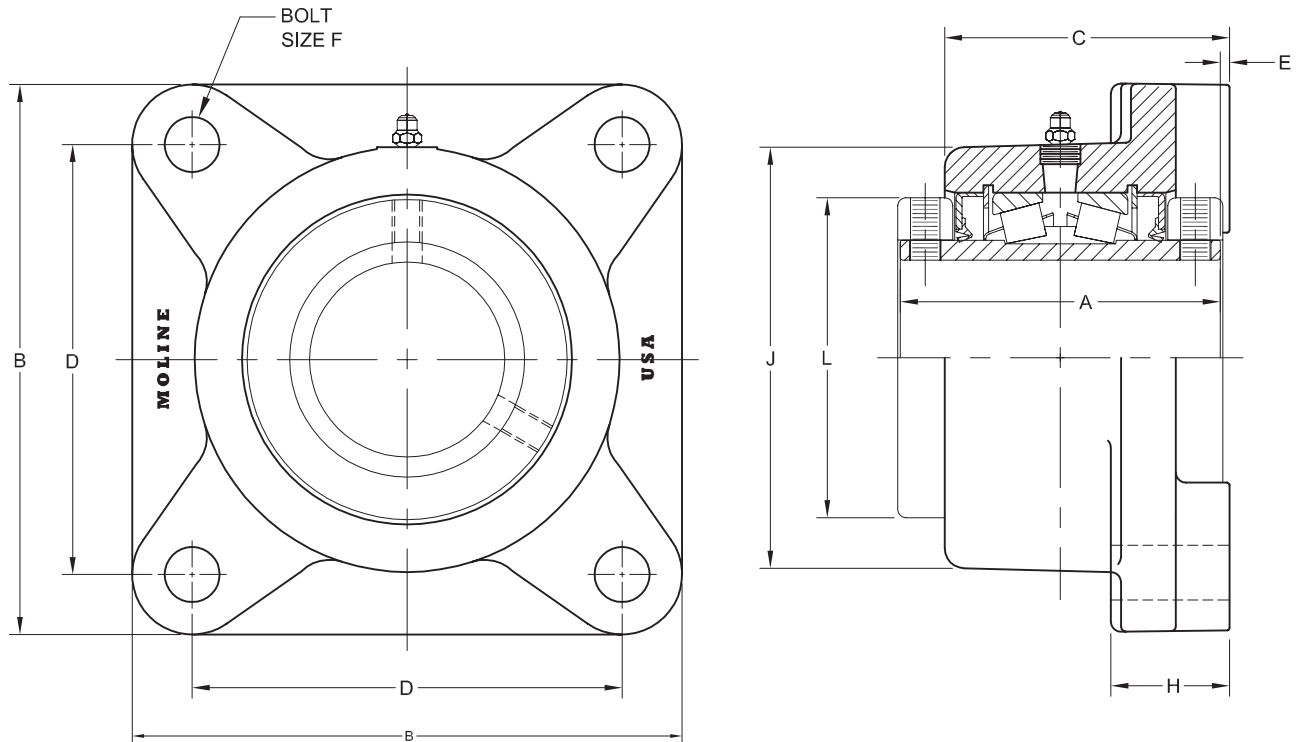
TYPE E 4-BOLT FLANGE

SHAFT SIZE	MOLINE PART #	DIMENSIONS (INCHES)									WEIGHT LBS.
		A	B	C	D	E	F	H	J	L	
1 3/16 1 1/4	19311103 19311104	2 3/4	3 3/4	2 11/32	2 7/8	1/16	3/8	1	2 15/16	2 1/4	4.5
1 3/8 1 7/16 35mm	19311106 19311107 19311035	3	4 5/8	2 19/32	3 1/2	1/16	1/2	1 1/16	3 7/8	2 3/4	6.7
1 1/2 1 5/8 1 11/16 40mm	19311108 19311110 19311111 19311040	3 3/8	5 3/8	2 31/32	4 1/8	1/8	1/2	1 3/16	4 1/4	3 1/8	10
1 3/4 1 7/8 1 15/16 2 45mm 50mm	19311112 19311114 19311115 19311200 19311045 19311050	3 1/2	5 5/8	3 3/32	4 3/8	1/8	1/2	1 3/16	4 1/2	3 3/8	12
2 3/16 55mm	19311203 19311055	3 3/4	6 1/4	3 9/32	4 7/8	1/8	5/8	1 3/8	4 7/8	3 3/4	16
2 1/4 2 7/16 2 1/2 60mm 65mm	19311204 19311207 19311208 19311060 19311065	4	6 7/8	3 9/16	5 3/8	3/16	5/8	1 1/2	5 3/4	4	21



TYPE E 4-BOLT FLANGE

TYPE E



For personal service and special requests, please call us at 800.242.4633.
CAD drawings available upon request at no additional charge.

Furnished in non-expansion type only.

For nomenclature see pages 226 and 227.



Post Office Box 99, Batavia, Illinois 60510, USA
630.584.4600, 800.242.4633, 630.584.1999 fax
www.molinebearing.com, sales@molinebearing.com

MOLINE BEARING CO.

TEL # **800.242.4633**

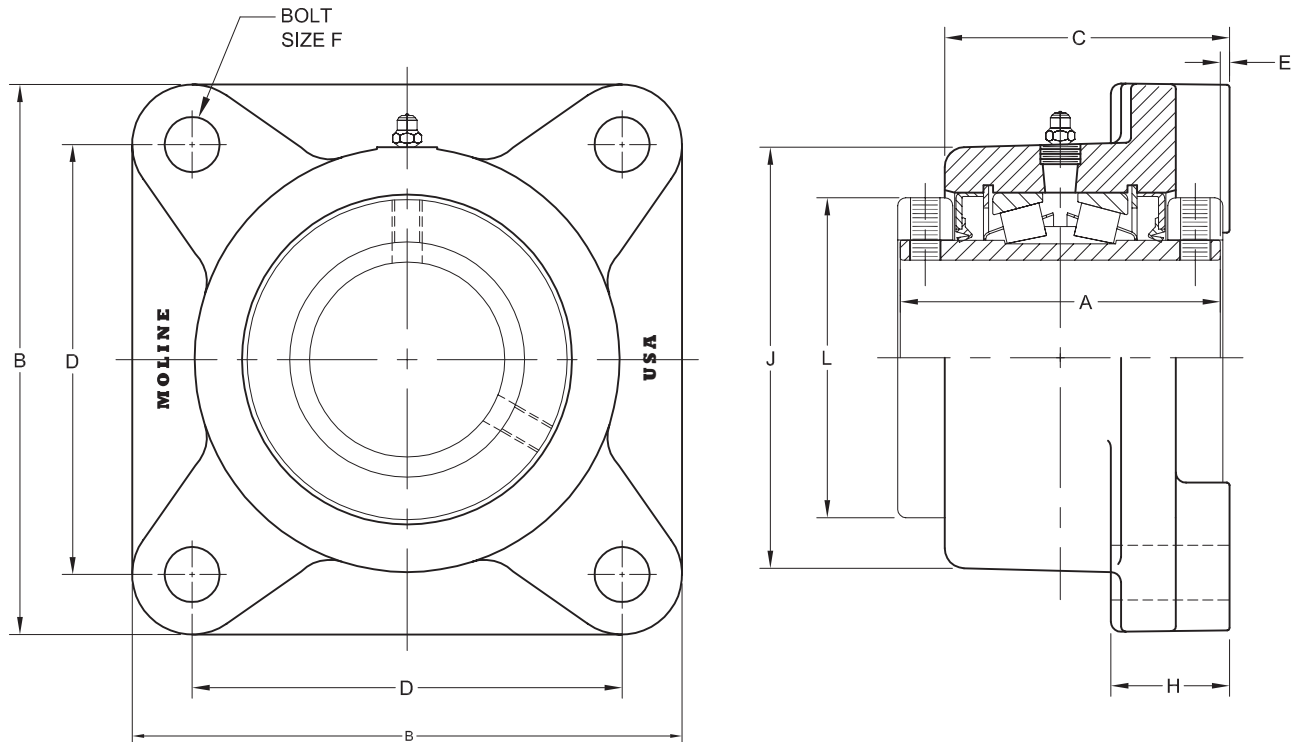
TYPE E 4-BOLT FLANGE CONTINUED

SHAFT SIZE	MOLINE PART #	DIMENSIONS (INCHES)									WEIGHT LBS.
		A	B	C	D	E	F	H	J	L	
2 ¹¹ / ₁₆ 2 ³ / ₄ 2 ¹⁵ / ₁₆ 3 70mm 75mm	19311211 19311212 19311215 19311300 19311070 19311075	4 ¹ / ₂	7 ³ / ₄	3 ¹⁵ / ₁₆	6	³ / ₁₆	³ / ₄	1 ⁵ / ₈	6 ¹ / ₂	4 ¹¹ / ₁₆	28
3 ³ / ₁₆ 3 ¹ / ₄ 3 ⁷ / ₁₆ 3 ¹ / ₂ 80mm 85mm 90mm	19311303 19311304 19311307 19311308 19311080 19311085 19311090	5	9 ¹ / ₄	4 ¹ / ₂	7	¹ / ₄	³ / ₄	1 ⁷ / ₈	7 ⁵ / ₈	5 ⁵ / ₁₆	51
3 ¹⁵ / ₁₆ 4 100mm	19311315 19311400 19311100	6 ¹ / ₄	10 ¹ / ₄	5 ⁵ / ₈	7 ³ / ₄	¹ / ₄	⁷ / ₈	2 ¹ / ₈	8 ⁷ / ₁₆	5 ³ / ₄	74
4 ⁷ / ₁₆ 4 ¹ / ₂ 110mm 115mm	19311407 19311408 19311110M 19311115M	6 ³ / ₄	10 ⁷ / ₈	5 ¹⁵ / ₁₆	8 ³ / ₄	¹¹ / ₃₂	⁷ / ₈	2 ⁷ / ₁₆	9 ¹ / ₈	6 ¹ / ₄	96



TYPE E 4-BOLT FLANGE

TYPE E



For personal service and special requests, please call us at 800.242.4633.
CAD drawings available upon request at no additional charge.

Furnished in non-expansion type only.

For nomenclature see pages 226 and 227.



Post Office Box 99, Batavia, Illinois 60510, USA
630.584.4600, 800.242.4633, 630.584.1999 fax
www.molinebearing.com, sales@molinebearing.com

MOLINE BEARING CO.

TEL # **800.242.4633**