

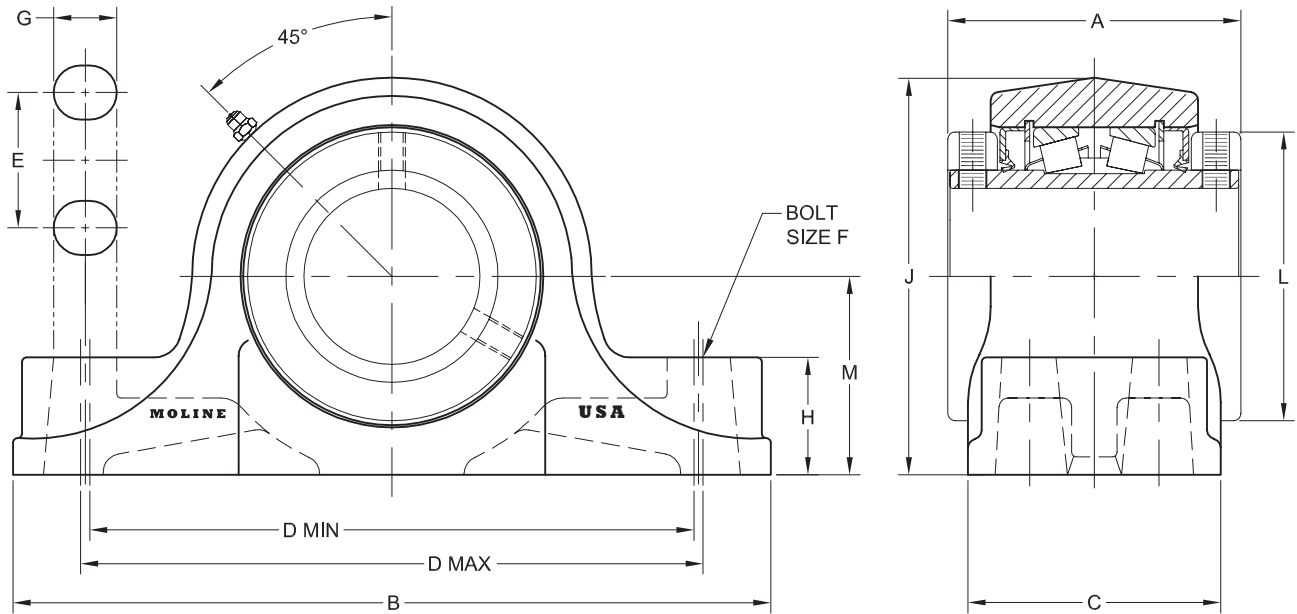
# TYPE E 4-BOLT PILLOW BLOCK

SHAFT SIZE	MOLINE PART #	DIMENSIONS (INCHES)													WEIGHT LBS.
		A	B	C	MIN D	CENTER TO CENTER D	MAX D	E	F	G	H	J	L	M	
2 1/4	19341204	4	10 1/2	3 1/2	8 5/16	8 1/2	8 11/16	1 7/8	5/8	7/8	1 5/8	5 1/2	4	2 3/4	19
2 7/16	19341207														
2 1/2	19341208														
60mm	19341060														
65mm	19341065														
2 11/16	19341211	4 1/2	12	4	9 3/16	9 1/2	9 13/16	2 1/8	5/8	7/8	1 7/8	6 1/4	4 11/16	3 1/8	26
2 3/4	19341212														
2 15/16	19341215														
3	19341300														
70mm	19341070														
75mm	19341075														
3 3/16	19341303	5	14	4 1/2	10 3/4	11	11 1/4	2 3/8	3/4	1 3/16	2 1/4	7 1/2	5 5/16	3 3/4	44
3 1/4	19341304														
3 7/16	19341307														
3 1/2	19341308														
80mm	19341080														
85mm	19341085														
90mm	19341090														
3 15/16	19341315	6 1/4	15 1/4	4 1/2	12 1/4	12 1/2	12 3/4	2 1/4	3/4	1 1/8	2 7/16	8 1/2	5 3/4	4 1/4	65
4	19341400														
100mm	19341100														



# TYPE E 4-BOLT PILLOW BLOCK

TYPE E



For personal service and special requests, please call us at 800.242.4633. CAD drawings available upon request at no additional charge.

**Furnished in non-expansion type only.**

**For nomenclature see pages 226 and 227.**



Post Office Box 99, Batavia, Illinois 60510, USA  
630.584.4600, 800.242.4633, 630.584.1999 fax  
www.molinebearing.com, sales@molinebearing.com

**MOLINE BEARING CO.**

TEL # **800.242.4633**

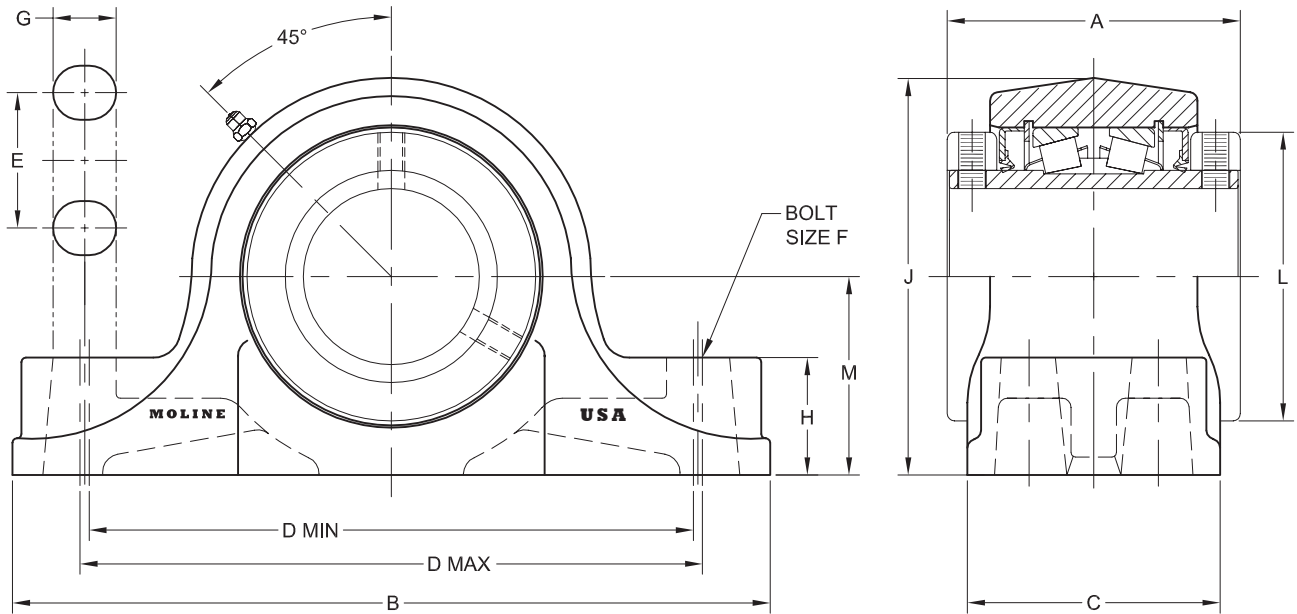
## TYPE E 4-BOLT PILLOW BLOCK CONTINUED

SHAFT SIZE	MOLINE PART #	DIMENSIONS (INCHES)													WEIGHT LBS.
		A	B	C	MIN D	CENTER TO CENTER D	MAX D	E	F	G	H	J	L	M	
4 <sup>7</sup> / <sub>16</sub> 4 <sup>1</sup> / <sub>2</sub> 110mm 115mm	19341407 19341408 19341110 19341115	6 <sup>3</sup> / <sub>4</sub>	16 <sup>5</sup> / <sub>8</sub>	4 <sup>5</sup> / <sub>8</sub>	13 <sup>1</sup> / <sub>4</sub>	13 <sup>1</sup> / <sub>2</sub>	13 <sup>3</sup> / <sub>4</sub>	2 <sup>1</sup> / <sub>2</sub>	3/4	1 <sup>3</sup> / <sub>16</sub>	2 <sup>3</sup> / <sub>4</sub>	9 <sup>3</sup> / <sub>8</sub>	6 <sup>1</sup> / <sub>4</sub>	4 <sup>3</sup> / <sub>4</sub>	81
4 <sup>15</sup> / <sub>16</sub> 5 125mm	19341415 19341500 19341125	7 <sup>1</sup> / <sub>4</sub>	18 <sup>1</sup> / <sub>2</sub>	5 <sup>1</sup> / <sub>8</sub>	15 <sup>1</sup> / <sub>4</sub>	15 <sup>1</sup> / <sub>2</sub>	15 <sup>3</sup> / <sub>4</sub>	2 <sup>3</sup> / <sub>4</sub>	7/8	1 <sup>1</sup> / <sub>4</sub>	3	10 <sup>7</sup> / <sub>8</sub>	7 <sup>1</sup> / <sub>4</sub>	5 <sup>1</sup> / <sub>2</sub>	132
5 <sup>7</sup> / <sub>16</sub> 5 <sup>15</sup> / <sub>16</sub> 6 130mm 135mm 140mm 150mm	19341507 19341515 19341600 19341130 19341135 19341140 19341150	9	22	6 <sup>1</sup> / <sub>4</sub>	17 <sup>3</sup> / <sub>8</sub>	18 <sup>1</sup> / <sub>4</sub>	19 <sup>1</sup> / <sub>8</sub>	3 <sup>3</sup> / <sub>4</sub>	1	2	3 <sup>1</sup> / <sub>4</sub>	13 <sup>3</sup> / <sub>16</sub>	9 <sup>3</sup> / <sub>8</sub>	6 <sup>1</sup> / <sub>16</sub>	243
6 <sup>7</sup> / <sub>16</sub> 6 <sup>1</sup> / <sub>2</sub> 6 <sup>15</sup> / <sub>16</sub> 7 160mm 170mm 180mm	19341607 19341608 19341615 19341700 19341160 19341170 19341180	10 <sup>1</sup> / <sub>2</sub>	26	7 <sup>1</sup> / <sub>8</sub>	21 <sup>1</sup> / <sub>4</sub>	22 <sup>1</sup> / <sub>4</sub>	23 <sup>1</sup> / <sub>4</sub>	4 <sup>5</sup> / <sub>8</sub>	1	2 <sup>1</sup> / <sub>8</sub>	3 <sup>1</sup> / <sub>16</sub>	15	10 <sup>7</sup> / <sub>8</sub>	7 <sup>1</sup> / <sub>2</sub>	356 350 340 335 340 340 335



# TYPE E 4-BOLT PILLOW BLOCK

TYPE E



For personal service and special requests, please call us at 800.242.4633. CAD drawings available upon request at no additional charge.

**Furnished in non-expansion type only.**

**For nomenclature see pages 226 and 227.**



Post Office Box 99, Batavia, Illinois 60510, USA  
630.584.4600, 800.242.4633, 630.584.1999 fax  
www.molinebearing.com, sales@molinebearing.com

**MOLINE BEARING CO.**

TEL # **800.242.4633**