

QD WELD-ON HUBS

QD Weld-On Hubs JA to P-A

PART NUMBER	D	L	B	BC	L1	P	DRILLING TYPE	WEIGHT (LBS)
JA-A	2.25	9/16	1.375	1 21/32	----	----	1	.4
SH-A	3.0	13/16	1.871	2 1/4	----	----	1	1
SDS-A	3.5	3/4	2.188	2 11/16	----	----	1	1.25
SK-A	4.375	1 1/4	2.813	3 5/16	----	----	1	3
SF-A	5.0	1 1/4	3.125	3 7/8	----	----	1	4
E-A	6.25	1 5/8	3.832	5	----	----	1	9
F-A	7.0	2 1/2	4.437	5 5/8	----	----	1	16
J-A	7.75	3 3/16	5.14	6 1/4	----	----	1	22.5
M-A	9.5	5 5/16	6.494	7 7/8	3 9/16	9.250	2	50
N-A	10.5	6 1/4	6.99	8 1/2	4 1/2	10.250	2	75
P-A	15.5	7 1/4	8.24	10	----	----	2	155

QD Weld-On Hubs are 1035 Steel.

WELD-ON HUBS



222

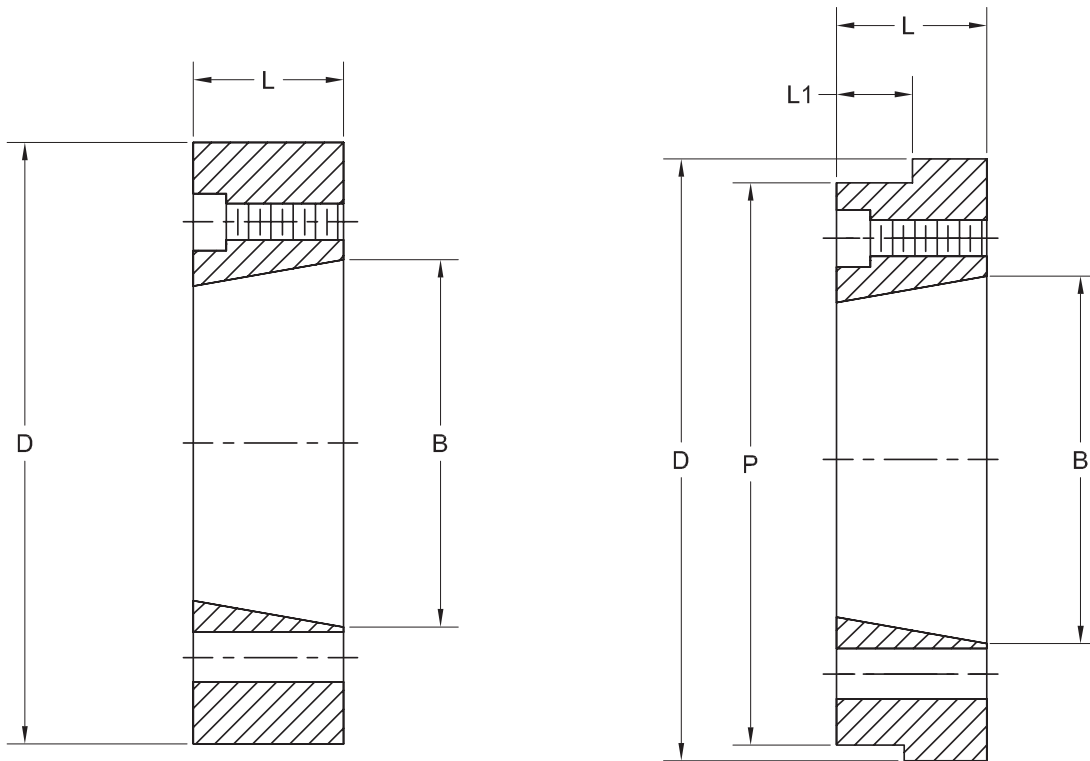
TEL # **800.242.4633**



Post Office Box 99, Batavia, Illinois 60510, USA
630.584.4600, 800.242.4633, 630.584.1999 fax
www.molinebearing.com, sales@molinebearing.com

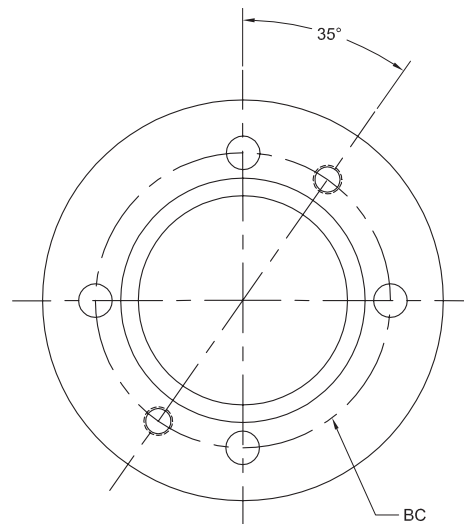
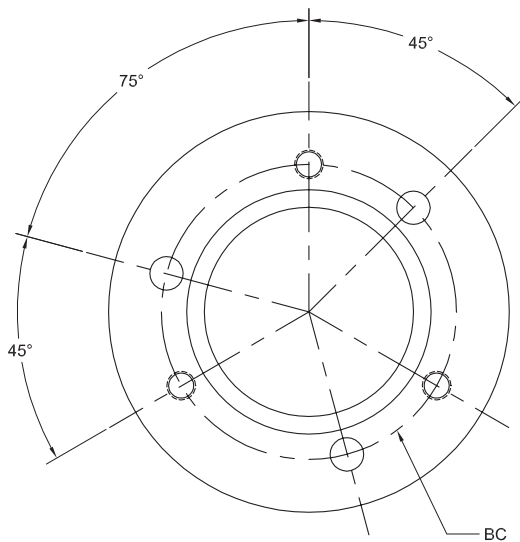
MOLINE BEARING CO.

QD WELD-ON HUBS



TYPE 1 (standard or reverse mount)

TYPE 2 (standard mount only)



WELD-ON HUBS



Post Office Box 99, Batavia, Illinois 60510, USA
 630.584.4600, 800.242.4633, 630.584.1999 fax
 www.molinebearing.com, sales@molinebearing.com

MOLINE BEARING CO.

TEL # **800.242.4633**

223