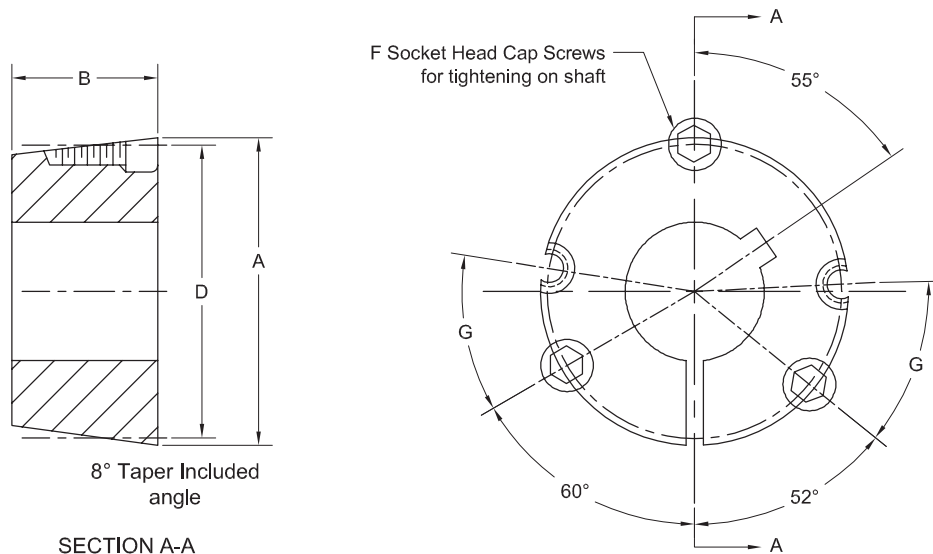


TAPERED BUSHINGS #3535

BUSHING #	BORE	BUSHING KEYWAY	SHAFT KEYSEAT	A	B	D	F	G	WRENCH TORQUE LBS. -IN.	TORQUE CAP. LBS. -IN.	WEIGHT
3535	1 3/16, 1 1/4	1/4 x 1/8	1/4 x 1/8	5	3 1/2	4.83	1/2 x 1 1/2	39°	1,000	44,800	14
	1 5/16, 1 3/8	5/16 x 5/32	5/16 x 5/32								14
	1 7/16, 1 1/2, 1 9/16, 1 5/8, 1 11/16, 1 3/4	3/8 x 3/16	3/8 x 3/16								13
	1 3/16, 1 7/8, 1 15/16, 2, 2 1/8, 2 3/16, 2 1/4	1/2 x 1/4	1/2 x 1/4								12
	2 5/16, 2 3/8, 2 7/16, 2-1/2, 2 9/16, 2 5/8, 2 11/16, 2 3/4	5/8 x 5/16	5/8 x 5/16								11
	2 3/16, 2 7/8, 2 15/16, 3, 3 1/8, 3 3/16, 3 1/4	3/4 x 3/8	3/4 x 3/8								9
	3 5/16*, 3 3/8*, 3 7/16*, 3 1/2*	7/8 x 1/4	7/8 x 7/16								8

*Denotes shallow key, keystock included. Bushings supplied with set screws made of Class 30 cast iron.



Post Office Box 99, Batavia, Illinois 60510, USA
 630.584.4600, 800.242.4633, 630.584.1999 fax
 www.molinebearing.com, sales@molinebearing.com

MOLINE BEARING CO.

TEL # **800.242.4633**

213

OD, TAPERED
& D BUSHINGS