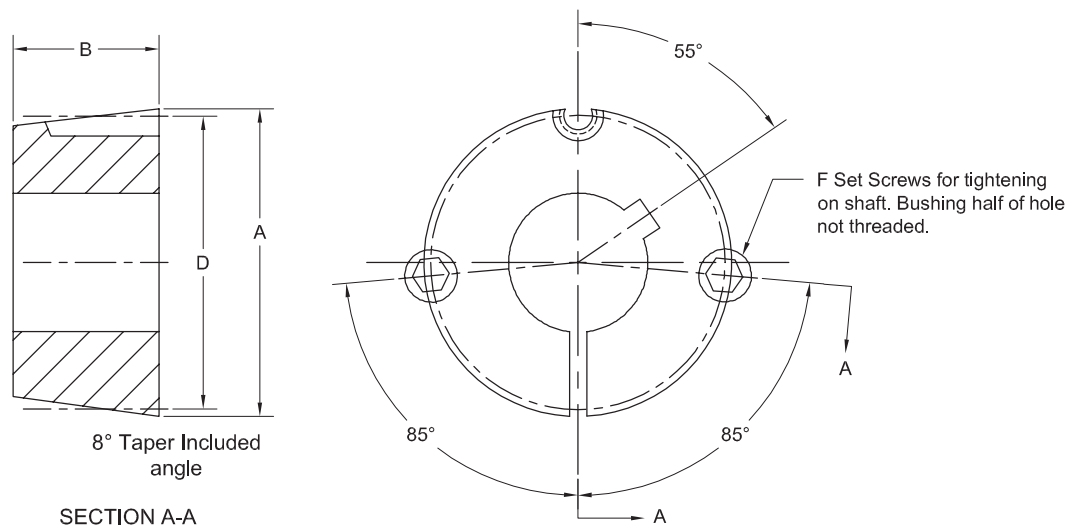


# TAPERED BUSHINGS #3020

BUSHING #	BORE	BUSHING KEYWAY	SHAFT KEYSEAT	A	B	D	F	WRENCH TORQUE LBS. -IN.	TORQUE CAP. LBS. -IN.	WEIGHT
3020	$\frac{7}{8}$	$\frac{3}{16} \times \frac{3}{32}$	$\frac{3}{16} \times \frac{3}{32}$	$4\frac{1}{4}$	2	4	$\frac{5}{8} \times 1\frac{1}{4}$	800	24,000	6.5
	$\frac{15}{16}, 1, 1\frac{1}{16}, 1\frac{1}{8}, 1\frac{3}{16}, 1\frac{1}{4}$	$\frac{1}{4} \times \frac{1}{8}$	$\frac{1}{4} \times \frac{1}{8}$							6.3
	$1\frac{5}{16}, 1\frac{3}{8}$	$\frac{5}{16} \times \frac{5}{32}$	$\frac{5}{16} \times \frac{5}{32}$							6.0
	$1\frac{7}{16}, 1\frac{1}{2}, 1\frac{9}{16}, 1\frac{5}{8}, 1\frac{11}{16}, 1\frac{3}{4}$	$\frac{3}{8} \times \frac{3}{16}$	$\frac{3}{8} \times \frac{3}{16}$							6.0
	$1\frac{13}{16}, 1\frac{7}{8}, 1\frac{15}{16}, 2, 2\frac{1}{8}, 2\frac{3}{16}, 2\frac{1}{4}$	$\frac{1}{2} \times \frac{1}{4}$	$\frac{1}{2} \times \frac{1}{4}$							5.3
	$2\frac{5}{16}, 2\frac{3}{8}, 2\frac{7}{16}, 2\frac{1}{2}, 2\frac{9}{16}, 2\frac{5}{8}, 2\frac{11}{16}, 2\frac{3}{4}$	$\frac{5}{8} \times \frac{5}{16}$	$\frac{5}{8} \times \frac{5}{16}$							4.5
	$2\frac{7}{8}, 2\frac{15}{16}, 3^*$	$\frac{3}{4} \times \frac{1}{4}$	$\frac{3}{4} \times \frac{1}{4}$							3.9

\*Denotes shallow key, keystock included. Bushings supplied with set screws made of Class 30 cast iron.



Post Office Box 99, Batavia, Illinois 60510, USA  
 630.584.4600, 800.242.4633, 630.584.1999 fax  
 www.molinebearing.com, sales@molinebearing.com

**MOLINE BEARING CO.**

TEL # **800.242.4633**

211