

# TYPE E 2-BOLT PILLOW BLOCK

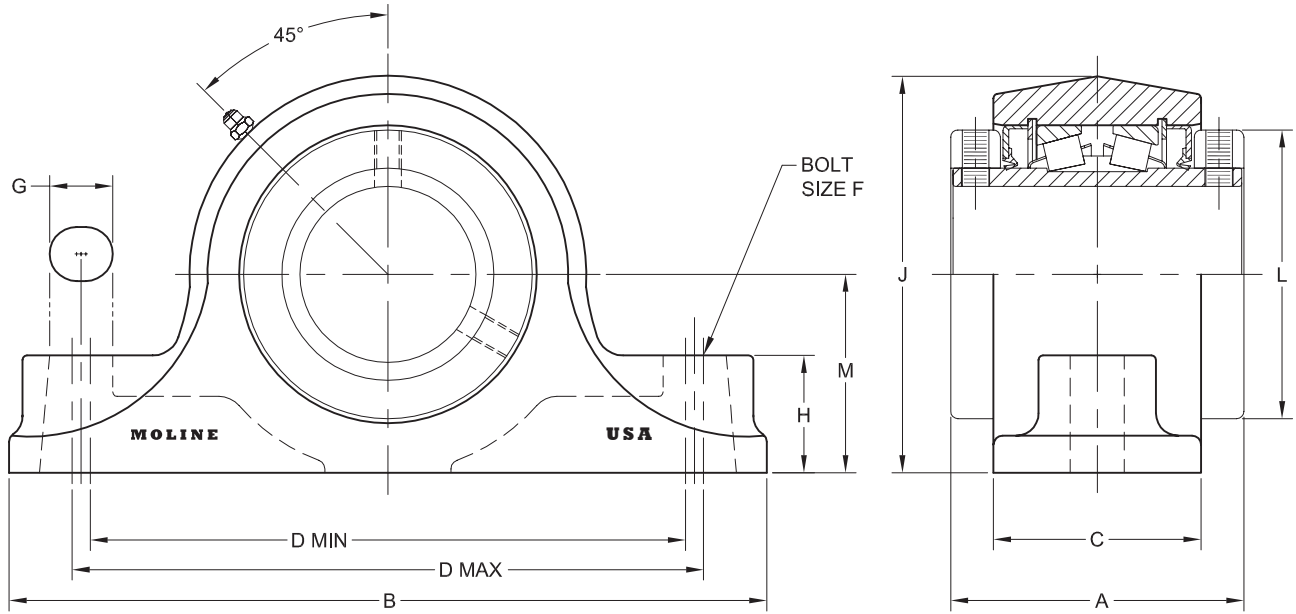
SHAFT SIZE	MOLINE PART #	DIMENSIONS (INCHES)											WEIGHT LBS.	
		A	B	C	MIN D	CENTER TO CENTER D	MAX D	F	G	H	J	L		M
1 <sup>3</sup> / <sub>16</sub> 1 <sup>1</sup> / <sub>4</sub>	19321103 19321104	2 <sup>3</sup> / <sub>4</sub>	6	1 <sup>7</sup> / <sub>8</sub>	4 <sup>5</sup> / <sub>8</sub>	4 <sup>3</sup> / <sub>4</sub>	4 <sup>7</sup> / <sub>8</sub>	<sup>3</sup> / <sub>8</sub>	1 <sup>9</sup> / <sub>32</sub>	<sup>7</sup> / <sub>8</sub>	3	2 <sup>1</sup> / <sub>4</sub>	1 <sup>1</sup> / <sub>2</sub>	4
1 <sup>3</sup> / <sub>8</sub> 1 <sup>7</sup> / <sub>16</sub> 35 mm	19321106 19321107 19321035	3	7 <sup>3</sup> / <sub>8</sub>	2 <sup>1</sup> / <sub>8</sub>	5	5 <sup>1</sup> / <sub>2</sub>	6	<sup>1</sup> / <sub>2</sub>	1 <sup>1</sup> / <sub>8</sub>	1 <sup>1</sup> / <sub>8</sub>	3 <sup>7</sup> / <sub>8</sub>	2 <sup>3</sup> / <sub>4</sub>	1 <sup>7</sup> / <sub>8</sub>	6.9
1 <sup>1</sup> / <sub>2</sub> 1 <sup>5</sup> / <sub>8</sub> 1 <sup>1</sup> / <sub>16</sub> 40 mm	19321108 19321110 19321111 19321040	3 <sup>3</sup> / <sub>8</sub>	7 <sup>7</sup> / <sub>8</sub>	2 <sup>3</sup> / <sub>8</sub>	5 <sup>5</sup> / <sub>8</sub>	6 <sup>1</sup> / <sub>16</sub>	6 <sup>1</sup> / <sub>2</sub>	<sup>1</sup> / <sub>2</sub>	1 <sup>1</sup> / <sub>16</sub>	1 <sup>1</sup> / <sub>4</sub>	4 <sup>1</sup> / <sub>4</sub>	3 <sup>3</sup> / <sub>16</sub>	2 <sup>1</sup> / <sub>8</sub>	9.5
1 <sup>3</sup> / <sub>4</sub> 1 <sup>7</sup> / <sub>8</sub> 1 <sup>15</sup> / <sub>16</sub> 2 45 mm 50 mm	19321112 19321114 19321115 19321200 19321045 19321050	3 <sup>1</sup> / <sub>2</sub>	8 <sup>7</sup> / <sub>8</sub>	2 <sup>1</sup> / <sub>2</sub>	6 <sup>1</sup> / <sub>8</sub>	6 <sup>11</sup> / <sub>16</sub>	7 <sup>1</sup> / <sub>4</sub>	<sup>5</sup> / <sub>8</sub>	1 <sup>5</sup> / <sub>16</sub>	1 <sup>5</sup> / <sub>16</sub>	4 <sup>1</sup> / <sub>2</sub>	3 <sup>3</sup> / <sub>8</sub>	2 <sup>1</sup> / <sub>4</sub>	11
2 <sup>3</sup> / <sub>16</sub> 55 mm	19321203 19321055	3 <sup>3</sup> / <sub>4</sub>	9 <sup>5</sup> / <sub>8</sub>	2 <sup>5</sup> / <sub>8</sub>	6 <sup>11</sup> / <sub>16</sub>	7 <sup>3</sup> / <sub>8</sub>	8	<sup>5</sup> / <sub>8</sub>	1 <sup>7</sup> / <sub>16</sub>	1 <sup>1</sup> / <sub>2</sub>	5	3 <sup>3</sup> / <sub>4</sub>	2 <sup>1</sup> / <sub>2</sub>	14
2 <sup>1</sup> / <sub>4</sub> 2 <sup>7</sup> / <sub>16</sub> 2 <sup>1</sup> / <sub>2</sub> 60 mm 65 mm	19321204 19321207 19321208 19321060 19321065	4	10 <sup>1</sup> / <sub>2</sub>	2 <sup>7</sup> / <sub>8</sub>	7 <sup>1</sup> / <sub>8</sub>	7 <sup>7</sup> / <sub>8</sub>	8 <sup>5</sup> / <sub>8</sub>	1 <sup>1</sup> / <sub>2</sub>	<sup>7</sup> / <sub>8</sub>	1 <sup>5</sup> / <sub>8</sub>	5 <sup>11</sup> / <sub>16</sub>	4	2 <sup>3</sup> / <sub>4</sub>	19
2 <sup>11</sup> / <sub>16</sub> 2 <sup>3</sup> / <sub>4</sub> 2 <sup>15</sup> / <sub>16</sub> 3 70 mm 75 mm	19321211 19321212 19321215 19321300 19321070 19321075	4 <sup>1</sup> / <sub>2</sub>	12	3	7 <sup>7</sup> / <sub>8</sub>	8 <sup>13</sup> / <sub>16</sub>	9 <sup>3</sup> / <sub>4</sub>	<sup>3</sup> / <sub>4</sub>	1 <sup>13</sup> / <sub>16</sub>	1 <sup>7</sup> / <sub>8</sub>	6 <sup>5</sup> / <sub>16</sub>	4 <sup>11</sup> / <sub>16</sub>	3 <sup>1</sup> / <sub>8</sub>	26
3 <sup>3</sup> / <sub>16</sub> 3 <sup>1</sup> / <sub>4</sub> 3 <sup>7</sup> / <sub>16</sub> 3 <sup>1</sup> / <sub>2</sub> 80 mm 85 mm 90 mm	19321303 19321304 19321307 19321308 19321080 19321085 19321090	5	14	3 <sup>5</sup> / <sub>8</sub>	9 <sup>3</sup> / <sub>4</sub>	10 <sup>5</sup> / <sub>8</sub>	11 <sup>1</sup> / <sub>2</sub>	<sup>7</sup> / <sub>8</sub>	1 <sup>7</sup> / <sub>8</sub>	2 <sup>1</sup> / <sub>4</sub>	7 <sup>1</sup> / <sub>2</sub>	5 <sup>15</sup> / <sub>16</sub>	3 <sup>3</sup> / <sub>4</sub>	44

\* **Note:** The elongated slots give broader mounting capabilities while still allowing the same center to center, min and max mounting dimensions of the old style type E.



# TYPE E 2-BOLT PILLOW BLOCK

TYPE E



For personal service and special requests, please call us at 800.242.4633.  
 CAD drawings available upon request at no additional charge.  
**Furnished in non-expansion type only.**  
 For nomenclature see pages 226 and 227.



Post Office Box 99, Batavia, Illinois 60510, USA  
 630.584.4600, 800.242.4633, 630.584.1999 fax  
 www.molinebearing.com, sales@molinebearing.com

**MOLINE BEARING CO.**

TEL # **800.242.4633**