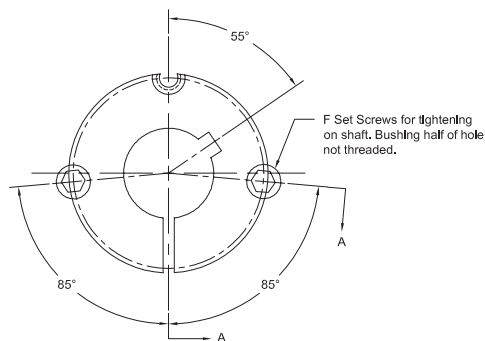
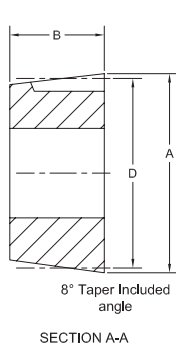


# TAPERED BUSHINGS #1615 TO 2012

BUSHING #	BORE	BUSHING KEYWAY	SHAFT KEYSEAT	A	B	D	F	WRENCH TORQUE LBS. -IN.	TORQUE CAP. LBS. -IN.	WEIGHT
1615	1/2, 9/16	1/8 x 1/16	1/8 x 1/16	2 1/4	1 1/2	2 1/8	3/8 x 5/8	175	4,300	1.2
	5/8, 11/16, 3/4, 13/16, 7/8	3/16 x 3/32	3/16 x 3/32							1.1
	15/16, 1, 1 1/16, 1 1/8, 1 3/16, 1 1/4	1/4 x 1/8	1/4 x 1/8							1.0
	1 5/16, 1 3/8	5/16 x 5/32	5/16 x 5/32							.8
	1 7/16, 1 1/2	3/8 x 3/16	3/8 x 3/16							.7
	1 9/16*, 1 5/8*, 1 11/16	3/8 x 3/16	3/8 x 3/16							.6
2012	1/2, 9/16	1/8 x 1/16	1/8 x 1/16	2 3/4	1 1/4	2 5/8	7/16 x 7/8	280	7,150	1.7
	5/8, 11/16, 3/4, 13/16, 7/8	3/16 x 3/32	3/16 x 3/32							1.6
	15/16, 1, 1 1/16, 1 1/8, 1 3/16, 1 1/4	1/4 x 1/8	1/4 x 1/8							1.5
	1 5/16, 1 3/8	5/16 x 5/32	5/16 x 5/32							1.4
	1 7/16, 1 1/2, 1 9/16, 1 5/8, 1 11/16, 1 3/4	3/8 x 3/16	3/8 x 3/16							1.2
	1 13/16, 1 7/8	1/2 x 1/4	1/2 x 1/4							1.0
	1 15/16*, 2*	1/2 x 3/16	1/2 x 1/4							1.0

\*Denotes shallow key, keystock included. Bushings supplied with set screws made of Class 30 cast iron.



OD, TAPERED & D BUSHINGS



Post Office Box 99, Batavia, Illinois 60510, USA  
 630.584.4600, 800.242.4633, 630.584.1999 fax  
 www.molinebearing.com, sales@molinebearing.com

**MOLINE BEARING CO.**

TEL # **800.242.4633**

209