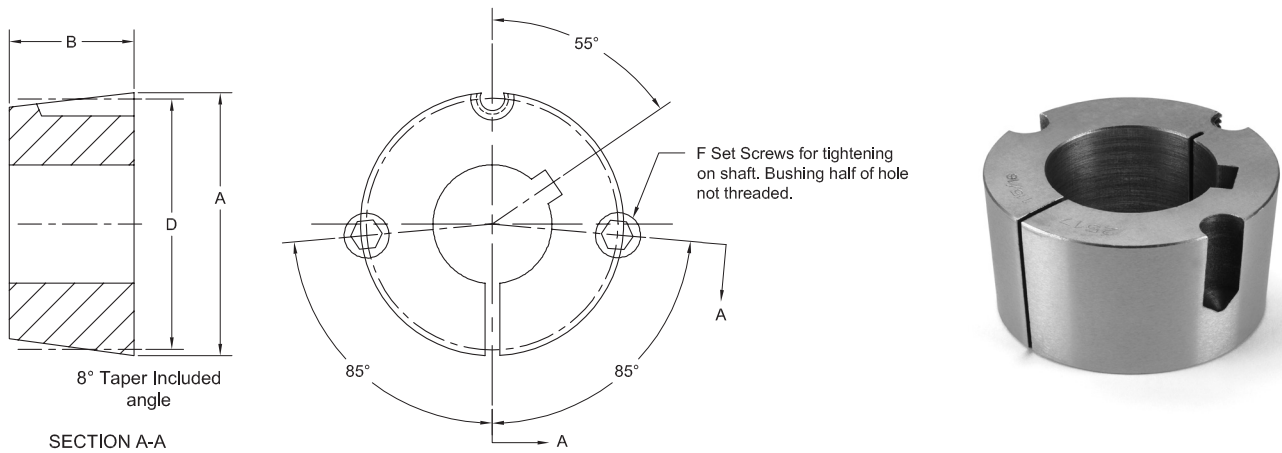


TAPERED BUSHINGS #1008 TO 1210

BUSHING #	BORE	BUSHING KEYWAY	SHAFT KEYSEAT	A	B	D	F	WRENCH TORQUE LBS. -IN.	TORQUE CAP. LBS. -IN.	WEIGHT
1008	1/2, 9/16	1/8 x 1/16	1/8 x 1/16	1.386	7/8	1 21/64	1/4 x 1/2	55	1,200	.27
	5/8, 1 1/16, 3/4, 13/16, 7/8	3/16 x 3/32	3/16 x 3/32							.21
	15/16*, 1*	1/4 x 1/16	1/4 x 1/8							.16
1108	1/2, 9/16	1/8 x 1/16	1/8 x 1/16	1.511	7/8	1 29/64	1/4 x 1/2	11	1,300	.33
	5/8, 1 1/16, 3/4, 13/16, 7/8	3/16 x 3/32	3/16 x 3/32							.27
	15/16, 1	1/4 x 1/8	1/4 x 1/8							.22
	1 1/16*, 1 1/8*	1/4 x 1/16	1/4 x 1/8							.17
1210	1/2, 9/16	1/8 x 1/16	1/8 x 1/16	1 7/8	1	1 3/4	3/8 x 5/8	175	3,600	.61
	5/8, 1 1/16, 3/4, 13/16, 7/8	3/16 x 3/32	3/16 x 3/32							.55
	15/16, 1, 1 1/16, 1 1/8, 1 3/16, 1 1/4	1/4 x 1/8	1/4 x 1/8							.49

*Denotes shallow key, keystock included. Bushings supplied with set screws made of Class 30 cast iron.



OD, TAPERED & D BUSHINGS



Post Office Box 99, Batavia, Illinois 60510, USA
 630.584.4600, 800.242.4633, 630.584.1999 fax
 www.molinebearing.com, sales@molinebearing.com

MOLINE BEARING CO.

TEL # **800.242.4633**

207