

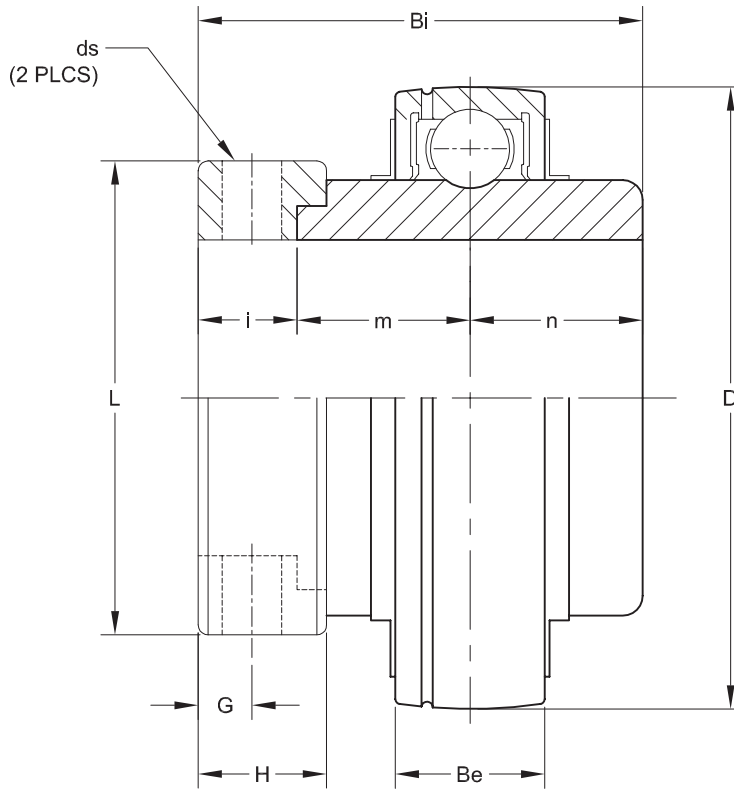
# MOUNTED BALL BEARING HC 200 SERIES INSERT

## Normal Duty Eccentric Locking Collar

SHAFT SIZE	MOLINE #	UNIT #	DIMENSIONS (INCHES)										WEIGHT LBS.
			D	Bi	Be	n	m	i	L	H	G	ds	
3/4	15500012	HC 204-12	1.8504	1.7126	.6693	.6693	.6693	.374	1.311	.5315	.189	1/4-28	.46
7/8	15500014	HC 205-14	2.0472	1.7441	.6693	.685	.685	.374	1.50	.5315	.189	1/4-28	.51
15/16	15500015	HC 205-15											
1	15500100	HC 205-16											
1 1/8	15500102	HC 206-18	2.4409	1.9016	.748	.7165	.7165	.4685	1.752	.626	.2362	5/16-24	.82
1 3/16	15500103	HC 206-19											
1 1/4	15500104-06	HC 206-20											
1 1/4	15500104	HC 207-20	2.8346	2.0118	.7874	.7402	.7402	.5315	2.189	.689	.2677	5/16-24	1.32
1 5/16	15500105	HC 207-21											
1 3/8	15500106	HC 207-22											
1 7/16	15500107	HC 207-23											
1 1/2	15500108	HC 208-24	3.1496	2.2165	.8268	.8425	.8425	.5315	2.374	.7205	.2677	5/16-24	1.68
1 9/16	15500109	HC 208-25											
1 5/8	15500110	HC 209-26	3.3465	2.2165	.8661	.8425	.8425	.5315	2.752	.7205	.2559	5/16-24	1.74
1 11/16	15500111	HC 209-27											
1 3/4	15500112	HC 209-28											
1 7/8	15500114	HC 210-30	3.5433	2.4685	.9055	.9685	.9685	.5315	2.752	.7205	.2559	5/16-24	2.01
1 15/16	15500115	HC 210-31											
2	15500200-10	HC 210-32											
2	15500200	HC 211-32	3.937	2.811	.9449	1.0906	1.0906	.6299	3.00	.8189	.315	3/8-24	2.78
2 1/8	15500202	HC 211-34											
2 3/16	15500203	HC 211-35											
2 1/4	15500204	HC 212-36	4.3307	3.063	1.0236	1.2165	1.2165	.6299	3.315	.874	.323	3/8-24	4.12
2 3/8	15500206	HC 212-38											
2 7/16	15500207	HC 212-39											
2 1/2	15500208	HC 213-40	4.7244	3.374	1.063	1.3425	1.3425	.689	3.3858	.9252	.315	3/8-24	4.65
2 3/4	15500212	HC 214-44	4.921	3.374	1.181	1.342	1.4685	.689	3.811	.9252	.354	3/8-24	6.02
2 15/16	15500215	HC 215-47	5.1181	3.626	1.1811	1.4685	1.4685	.689	4.0157	.3546	.3546	3/8-24	6.87
3	15500300	HC 215-48											



# MOUNTED BALL BEARING HC 200 SERIES INSERT



BALL BEARINGS



For personal service and special requests, please call us at 800.242.4633.  
CAD drawings available upon request at no additional charge.



Post Office Box 99, Batavia, Illinois 60510, USA  
630.584.4600, 800.242.4633, 630.584.1999 fax  
www.molinebearing.com, sales@molinebearing.com

**MOLINE BEARING CO.**

TEL # **800.242.4633**