

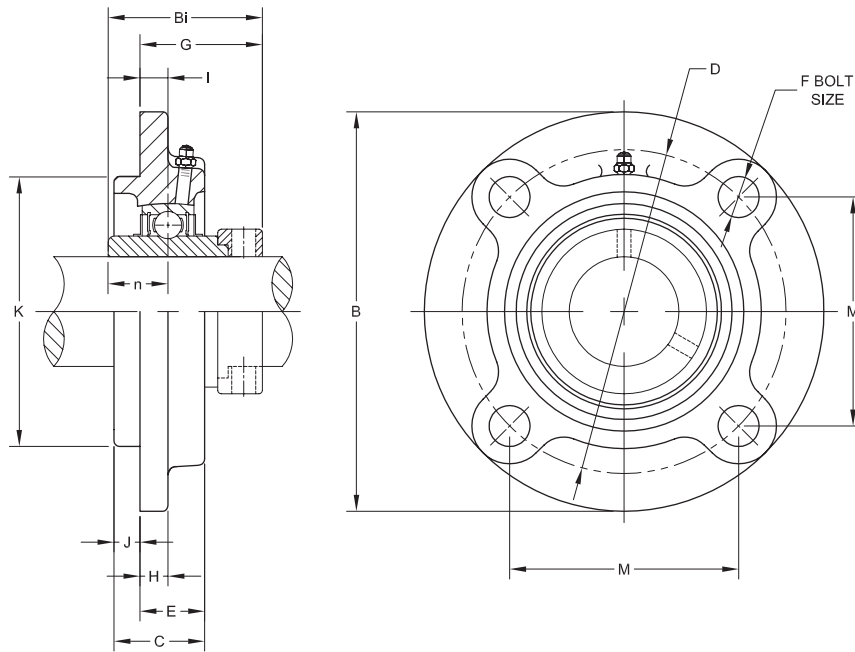
MOUNTED BALL BEARING PILOTED FLANGE

HCFC 200 Series—Normal Duty Eccentric Locking Collar

BALL BEARINGS

SHAFT SIZE	MOLINE PART #	UNIT #	SHAFT SIZE	DIMENSIONS (INCHES)					
				B	D	M	E	C	F
3/4	19531012	HCFC 204-12	3/4	3 15/16	3.701	2.169	.394	1	.453
7/8	19531014	HCFC 205-14	7/8	4.527	3.543	2.504	.394	1.063	.472
1 5/16	19531015	HCFC 205-15	1 5/16						
1	19531100	HCFC 205-16	1						
1 1/8	19531102	HCFC 206-18	1 1/8	4.921	3.937	2.783	.394	1.220	.472
1 3/16	19531103	HCFC 206-19	1 3/16						
1 1/4	19531104-06	HCFC 206-20	1 1/4						
1 1/4	19531104	HCFC 207-20	1 1/4	5.315	4.331	3.063	.433	1.338	.551
1 5/16	19531105	HCFC 207-21	1 5/16						
1 3/8	19531106	HCFC 207-22	1 3/8						
1 7/16	19531107	HCFC 207-23	1 7/16						
1 1/2	19531108	HCFC 208-24	1 1/2	5.709	4.724	3.338	.433	1.417	.551
1 9/16	19531109	HCFC 208-25	1 9/16						
1 5/8	19531110	HCFC 209-26	1 5/8	6.299	5.197	3.673	.394	1.496	.630
1 11/16	19531111	HCFC 209-27	1 11/16						
1 3/4	19531112	HCFC 209-28	1 3/4						

For sale as complete units, inserts and housings.



MOUNTED BALL BEARING PILOTED FLANGE

SHAFT SIZE	DIMENSIONS (INCHES)							BOLT SIZE (IN)	INSERT #	HOUSING #	WEIGHT LBS.
	J	H	I	K	G	Bi	n				
3/4	.197	.236	.807	2.4409	1.437	1.712	.6693	3/8	HC 204-12	FC204	1.68
7/8 15/16 1	.236	.275	.827	2.7559	1.453	1.744	.685	3/8	HC 205-14 HC 205-15 HC 205-16	FC205	2.12
1 1/8 1 3/16 1 1/4	.315	.315	.905	3.1496	1.580	1.901	.7165	3/8	HC 206-18 HC 206-19 HC 206-20	FC206	3.02
1 1/4 1 5/16 1 3/8 1 7/16	.315	.354	1.023	3.5433	1.705	2.012	.7402	7/16	HC 207-20 HC 207-21 HC 207-22 HC 207-23	FC207	3.75
1 1/2 1 9/16	.394	.354	1.023	3.937	1.807	2.216	.8425	7/16	HC 208-24 HC 208-25	FC208	4.41
1 5/8 1 11/16 1 3/4	.472	.394	1.023	4.1339	1.768	2.216	.8425	1/2	HC 209-26 HC 209-27 HC 209-28	FC209	5.95

BALL BEARINGS



For personal service and special requests, please call us at 800.242.4633.

CAD drawings available upon request at no additional charge.

Furnished in non-expansion type only.

For nomenclature see pages 226 and 227.



Post Office Box 99, Batavia, Illinois 60510, USA
630.584.4600, 800.242.4633, 630.584.1999 fax
www.molinebearing.com, sales@molinebearing.com

MOLINE BEARING CO.

TEL # **800.242.4633**

177

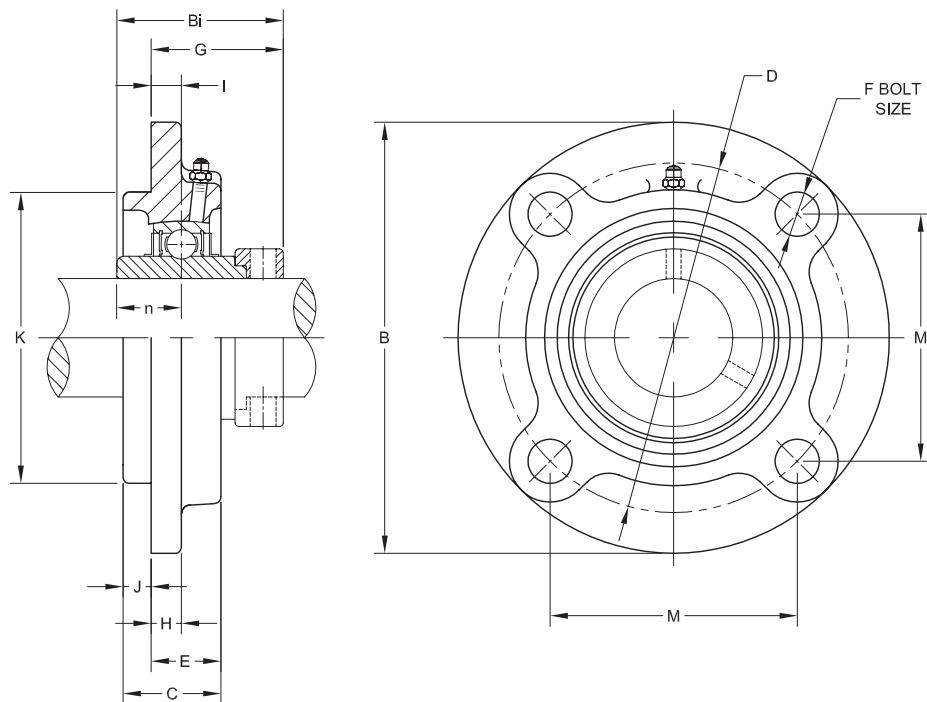
MOUNTED BALL BEARING PILOTED FLANGE CONTINUED

HCFC 200 Series—Normal Duty Eccentric Locking Collar

BALL BEARINGS

SHAFT SIZE	MOLINE PART #	UNIT #	SHAFT SIZE	DIMENSIONS (INCHES)					
				B	D	M	E	C	F
1 7/8	19531114	HCFC 210-30	1 7/8	6.496	5.433	3.842	.394	1.575	.630
1 15/16	19531115	HCFC 210-31	1 15/16						
2	19531200-10	HCFC 210-32	2						
2	19531200	HCFC 211-32	2	7.283	5.905	4.177	.512	1.653	.748
2 1/8	19531202	HCFC 211-34	2 1/8						
2 3/16	19531203	HCFC 211-35	2 3/16						
2 1/4	19531204	HCFC 212-36	2 1/4	7.677	6.299	4.453	.669	1.890	.748
2 3/8	19531206	HCFC 212-38	2 3/8						
2 7/16	19531207	HCFC 212-39	2 7/16						
2 1/2	19531208	HCFC 213-40	2 1/2	8.071	6.693	4.732	.630	1.929	.748
2 3/4	19531212	HCFC 214-44	2 3/4						
2 15/16	19531215	HCFC 215-47	2 15/16						
3	19531300	HCFC 215-48	3	8.661	7.244	5.122	.669	2.165	.748

For sale as complete units, inserts and housings.



MOUNTED BALL BEARING PILOTED FLANGE

BALL BEARINGS

SHAFT SIZE	DIMENSIONS (INCHES)							BOLT SIZE (IN)	INSERT #	HOUSING #	WEIGHT LBS.
	J	H	I	K	G	Bi	n				
1 7/8 1 15/16 2	.472	.551	1.102	4.3307	1.894	2.468	.9685	1/2	HC 210-30 HC 210-31 HC 210-32	FC210	6.39
2 2 1/8 2 3/16	.472	.512	1.181	4.9213	2.228	2.811	1.0906	5/8	HC 211-32 HC 211-34 HC 211-35	FC211	9.26
2 1/4 2 3/8 2 7/16	.472	.591	1.417	5.315	2.512	3.063	1.2165	5/8	HC 212-36 HC 212-38 HC 212-39	FC212	10.89
2 1/2	.551	.591	1.378	5.709	2.661	3.374	1.3425	5/8	HC 213-40	FC213	12.57
2 3/4	.551	.630	1.496	5.905	2.701	3.374	1.342	5/8	HC 214-44	FC214	14.99
2 15/16 3	.630	.669	1.535	6.2992	2.866	3.626	1.4685	5/8	HC 215-47 HC 215-48	FC215	29.76



For personal service and special requests, please call us at 800.242.4633.
CAD drawings available upon request at no additional charge.

Furnished in non-expansion type only.

For nomenclature see pages 226 and 227.



Post Office Box 99, Batavia, Illinois 60510, USA
630.584.4600, 800.242.4633, 630.584.1999 fax
www.molinebearing.com, sales@molinebearing.com

MOLINE BEARING CO.

TEL # **800.242.4633**

179