

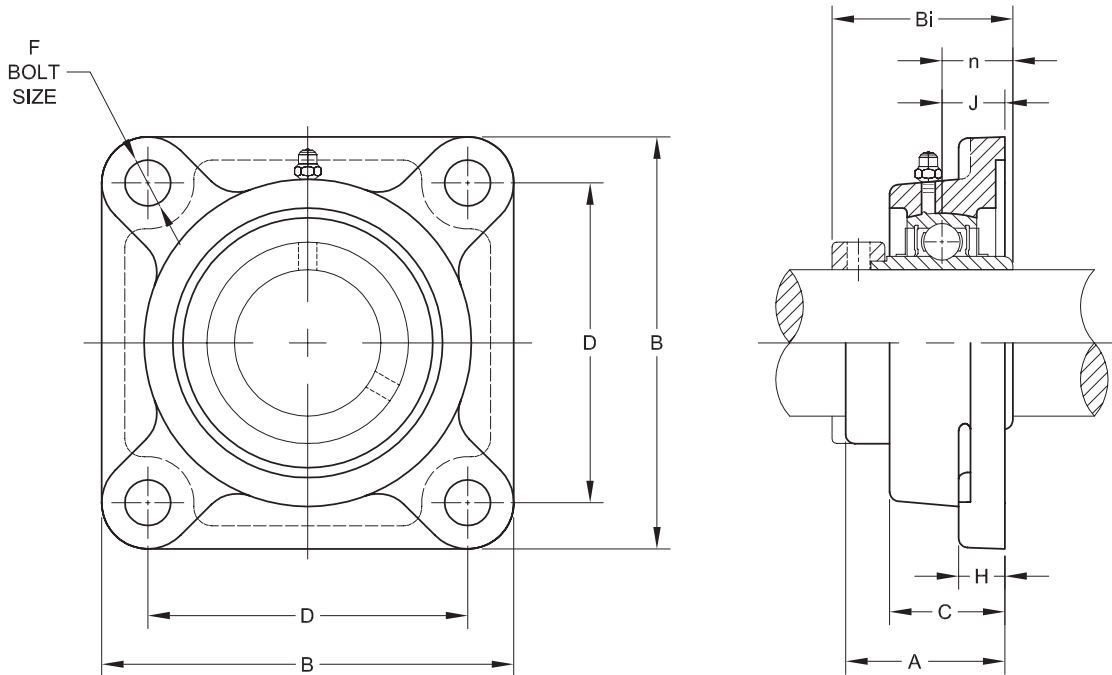
MOUNTED BALL BEARING 4-BOLT FLANGE

HCF 200 Series—Normal Duty Eccentric Locking Collar

BALL BEARINGS

SHAFT SIZE	MOLINE PART #	UNIT #	DIMENSIONS (INCHES)					
			B	D	J	H	C	F
3/4	19511012	HCF 204-12	3.386	2.520	0.591	.433	1	.453
7/8	19511014	HCF 205-14	3 3/4	2 3/4	.630	.512	1.063	.453
1 5/16	19511015	HCF 205-15						
1	19511100	HCF 205-16						
1 1/8	19511102	HCF 206-18	4 1/4	3.267	.709	.512	1.220	.453
1 3/16	19511103	HCF 206-19						
1 1/4	19511104-06	HCF 206-20						
1 1/4	19511104	HCF 207-20	4.606	3.622	.748	.591	1.339	.551
1 5/16	19511105	HCF 207-21						
1 3/8	19511106	HCF 207-22						
1 7/16	19511107	HCF 207-23						
1 1/2	19511108	HCF 208-24	5.118	4.016	.827	.591	1.417	.551
1 9/16	19511109	HCF 208-25						
1 5/8	19511110	HCF 209-26	5.394	4.134	.866	.630	1.496	.630
1 11/16	19511111	HCF 209-27						
1 3/4	19511112	HCF 209-28						

For sale as complete units, inserts and housings.



MOUNTED BALL BEARING 4-BOLT FLANGE

SHAFT SIZE	DIMENSIONS (INCHES)			BOLT SIZE (INCHES)	INSERT #	HOUSING #	WEIGHT LBS.
	A	Bi	n				
3/4	1.311	1.634	.669	3/8	HC 204-12	F204	1.39
7/8 15/16 1	1.406	1.689	.685	3/8	HC 205-14 HC 205-15 HC 205-16	F205	1.76
1 1/8 1 3/16 1 1/4	1.583	1.894	.716	3/8	HC 206-18 HC 206-19 HC 206-20	F206	2.64
1 1/4 1 5/16 1 3/8 1 7/16	1.748	2.020	.740	1/2	HC 207-20 HC 207-21 HC 207-22 HC 207-23	F207	3.53
1 1/2 1 9/16	2.016	2.201	.842	1/2	HC 208-24 HC 208-25	F208	4.19
1 5/8 1 11/16 1 3/4	2.055	2.240	.842	1/2	HC 209-26 HC 209-27 HC 209-28	F209	5.07



For personal service and special requests, please call us at 800.242.4633.

CAD drawings available upon request at no additional charge.

Furnished in non-expansion type only.

For nomenclature see pages 226 and 227.



Post Office Box 99, Batavia, Illinois 60510, USA
630.584.4600, 800.242.4633, 630.584.1999 fax
www.molinebearing.com, sales@molinebearing.com

MOLINE BEARING CO.

TEL # **800.242.4633**

173

MOUNTED BALL BEARING 4-BOLT FLANGE CONTINUED

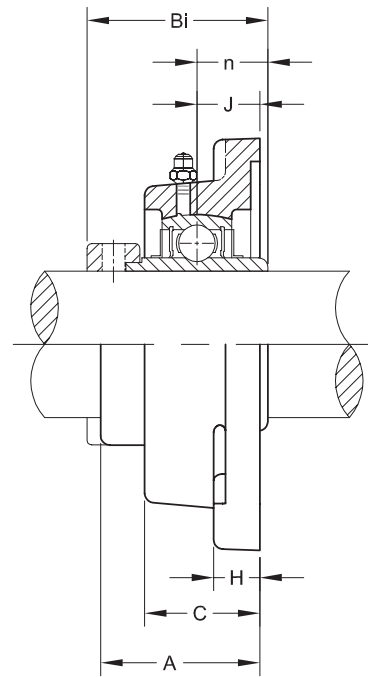
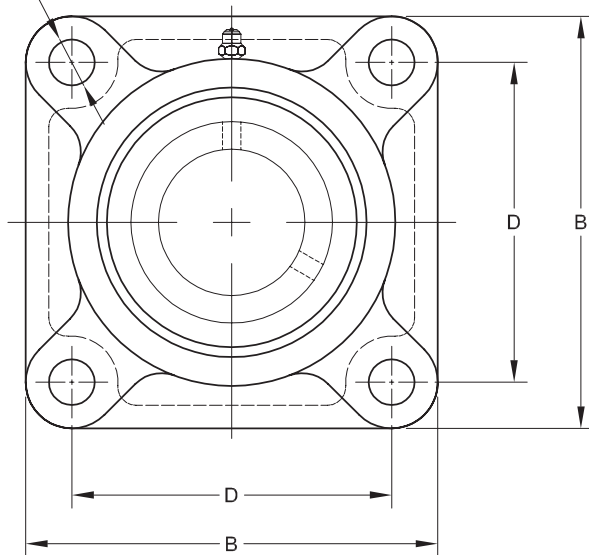
HCF 200 Series—Normal Duty Eccentric Locking Collar

BALL BEARINGS

SHAFT SIZE	MOLINE PART #	UNIT #	DIMENSIONS (INCHES)					
			B	D	J	H	C	F
1 7/8	19511114	HCF 210-30	5.630	4.370	.866	.630	1.574	.709
1 15/16	19511115	HCF 210-31						
2	19511200-10	HCF 210-32						
2	19511200	HCF 211-32	6.378	5.118	.984	.709	1.693	.709
2 1/8	19511202	HCF 211-34						
2 3/16	19511203	HCF 211-35						
2 1/4	19511204	HCF 212-36	6.890	5.630	1.142	.709	1.890	.709
2 3/8	19511206	HCF 212-38						
2 7/16	19511207	HCF 212-39						
2 1/2	19511208	HCF 213-40	7.362	5.866	1.181	.866	1.968	.709
2 3/4	19511212	HCF 214-44	7.598	5.984	1.220	.866	2.125	.709
2 15/16	19511215	HCF 215-47	7-7/8	6.259	1.339	.866	2.205	.709
3	19511300	HCF 215-48						

For sale as complete units, inserts and housings.

F
BOLT
SIZE



MOUNTED BALL BEARING 4-BOLT FLANGE

SHAFT SIZE	DIMENSIONS (INCHES)			BOLT SIZE (INCHES)	INSERT #	HOUSING #	WEIGHT LBS.
	A	Bi	n				
1 7/8 1 15/16 2	2.150	2.366	.969	1/2	HC 210-30 HC 210-31 HC 210-32	F210	5.73
2 2 1/8 2 3/16	2.299	2.701	1.091	5/8	HC 211-32 HC 211-34 HC 211-35	F211	8.38
2 1/4 2 3/8 2 7/16	2.705	2.984	1.216	5/8	HC 212-36 HC 212-38 HC 212-39	F212	10.58
2 1/2	2.744	3.213	1.342	5/8	HC 213-40	F213	13.23
2 3/4	2.969	3.252	1.342	5/8	HC 214-44	F214	13.89
2 15/16 3	3.091	3.496	1.468	5/8	HC 215-47 HC 215-48	F215	15.87

BALL BEARINGS



For personal service and special requests, please call us at 800.242.4633.

CAD drawings available upon request at no additional charge.

Furnished in non-expansion type only.

For nomenclature see pages 226 and 227.



Post Office Box 99, Batavia, Illinois 60510, USA
630.584.4600, 800.242.4633, 630.584.1999 fax
www.molinebearing.com, sales@molinebearing.com

MOLINE BEARING CO.

TEL # **800.242.4633**

175