

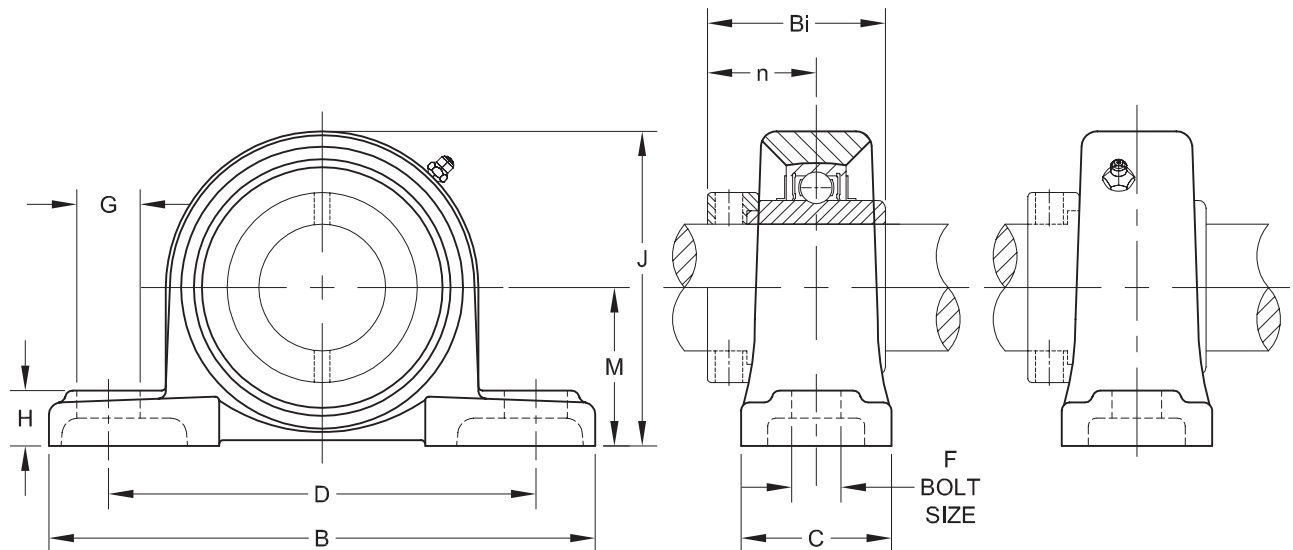
MOUNTED BALL BEARING 2-BOLT PILLOW BLOCK

HCP 200 Series—Normal Duty Eccentric Locking Collar

BALL BEARINGS

SHAFT SIZE	MOLINE PART #	UNIT #	DIMENSIONS (INCHES)					
			M	B	D	C	F	G
3/4	19521012	HCP 204-12	1 5/16	5	3.779	1.456	1/2	.630
7/8	19521014	HCP 205-14	1 7/16	5 1/2	4 1/8	1 1/2	1/2	3/4
1 5/16	19521015	HCP 205-15						
1	19521100	HCP 205-16						
1 1/8	19521102	HCP 206-18	1 11/16	6.30	4 3/4	1.732	.551	3/4
1 3/16	19521103	HCP 206-19						
1 1/4	19521104-06	HCP 206-20						
1 1/4	19521104	HCP 207-20	1 7/8	6.575	5	1 7/8	.590	3/4
1 5/16	19521105	HCP 207-21						
1 3/8	19521106	HCP 207-22						
1 7/16	19521107	HCP 207-23						
1 1/2	19521108	HCP 208-24	1 15/16	7.09	5.354	2.047	.590	1 3/16
1 9/16	19521109	HCP 208-25						
1 5/8	19521110	HCP 209-26	2 1/8	7.44	5 3/4	2 1/8	.590	1 3/16
1 11/16	19521111	HCP 209-27						
1 3/4	19521112	HCP 209-28						

For sale as complete units, inserts and housings.



MOUNTED BALL BEARING 2-BOLT PILLOW BLOCK

SHAFT SIZE					BOLT SIZE (INCHES)	INSERT #	HOUSING #	WEIGHT LBS.
	H	J	Bi	n				
3/4	.551	2.511	1.713	0.669	3/8	HC 204-12	P204	1.59
7/8 15/16 1	.590	2.736	1.744	0.685	3/8	HC 205-14 HC 205-15 HC 205-16	P205	1.76
1 1/8 1 3/16 1 1/4	.630	3.228	1.901	0.626	1/2	HC 206-18 HC 206-19 HC 206-20	P206	2.98
1 1/4 1 5/16 1 3/8 1 7/16	.669	3.622	2.012	0.740	1/2	HC 207-20 HC 207-21 HC 207-22 HC 207-23	P207	3.75
1 1/2 1 9/16	.709	3.858	2.216	0.842	1/2	HC 208-24 HC 208-25	P208	4.41
1 5/8 1 11/16 1 3/4	.787	4.153	2.216	0.842	1/2	HC 209-26 HC 209-27 HC 209-28	P209	5.34

BALL BEARINGS



For personal service and special requests, please call us at 800.242.4633.

CAD drawings available upon request at no additional charge.

Furnished in non-expansion type only.

For nomenclature see pages 226 and 227.



Post Office Box 99, Batavia, Illinois 60510, USA
630.584.4600, 800.242.4633, 630.584.1999 fax
www.molinebearing.com, sales@molinebearing.com

MOLINE BEARING CO.

TEL # **800.242.4633**

165

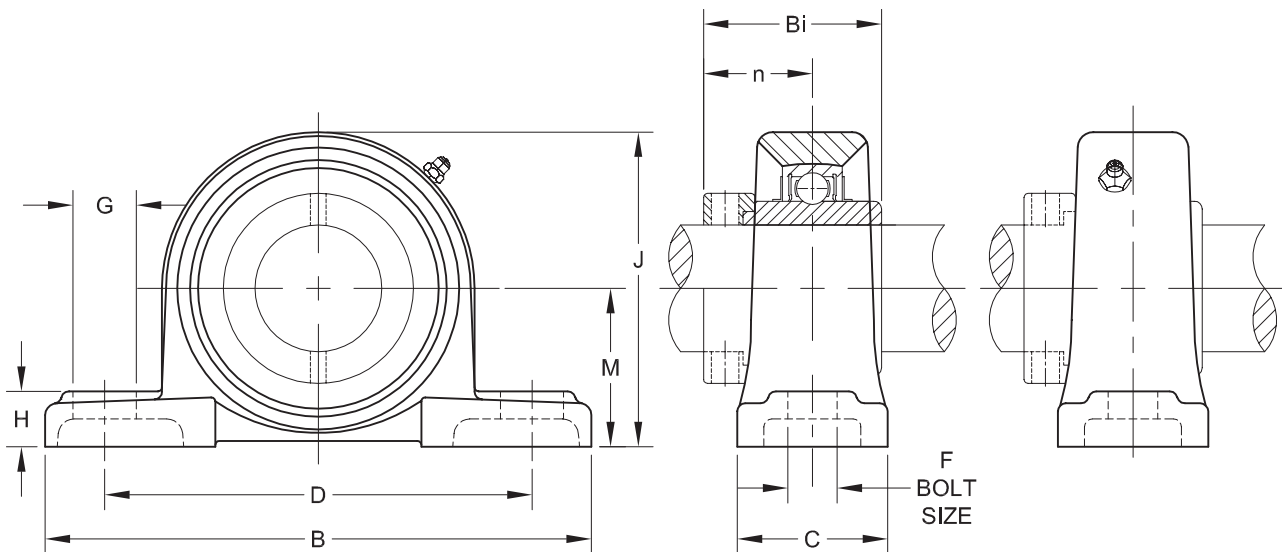
MOUNTED BALL BEARING 2-BOLT PILLOW BLOCK CONTINUED

HCP 200 Series—Normal Duty Eccentric Locking Collar

BALL BEARINGS

SHAFT SIZE	MOLINE PART #	UNIT #	DIMENSIONS (INCHES)					
			M	B	D	C	F	G
1 7/8 1 15/16 2	19521114 19521115 19521200-10	HCP 210-30 HCP 210-31 HCP 210-32	2 1/4	8.031	6 1/4	2.244	3/4	.866
2 2 1/8 2 3/16	19521200 19521202 19521203	HCP 211-32 HCP 211-34 HCP 211-35	2 1/2	8.543	6.771	2 3/8	3/4	.866
2 1/4 2 3/8 2 7/16	19521204 19521206 19521207	HCP 212-36 HCP 212-38 HCP 212-39	2 3/4	9.370	7.323	2.598	3/4	.984
2 1/2	19521208	HCP 213-40	3	10.315	8	2 3/4	3/4	1.142
2 3/4	19521212	HCP 214-44	3 1/8	10.472	8.268	2.834	3/4	1.142
2 15/16 3	19521215 19521300	HCP 215-47 HCP 215-48	3 1/4	10.787	8.543	2.913	3/4	1.142

For sale as complete units, inserts and housings.



MOUNTED BALL BEARING 2-BOLT PILLOW BLOCK

SHAFT SIZE	DIMENSIONS (INCHES)				BOLT SIZE (INCHES)	INSERT #	HOUSING #	WEIGHT LBS.
	H	J	Bi	n				
1 7/8 1 15/16 2	.827	4.417	2.468	0.968	5/8	HC 210-30 HC 210-31 HC 210-32	P210	6.06
2 2 1/8 2 3/16	.866	4.901	2.807	1.090	5/8	HC 211-32 HC 211-34 HC 211-35	P211	7.85
2 1/4 2 3/8 2 7/16	.945	5.394	3.059	1.216	5/8	HC 212-36 HC 212-38 HC 212-39	P212	11.46
2 1/2	1.023	5.866	3.374	1.342	3/4	HC 213-40	P213	13.89
2 3/4	1.063	6.102	3.374	1.342	3/4	HC 214-44	P214	15.43
2 15/16 3	1.102	6.363	3.626	1.468	3/4	HC 215-47 HC 215-48	P215	17.20

BALL BEARINGS



For personal service and special requests, please call us at 800.242.4633.

CAD drawings available upon request at no additional charge.

Furnished in non-expansion type only.

For nomenclature see pages 226 and 227.



Post Office Box 99, Batavia, Illinois 60510, USA
630.584.4600, 800.242.4633, 630.584.1999 fax
www.molinebearing.com, sales@molinebearing.com

MOLINE BEARING CO.

TEL # **800.242.4633**

167