

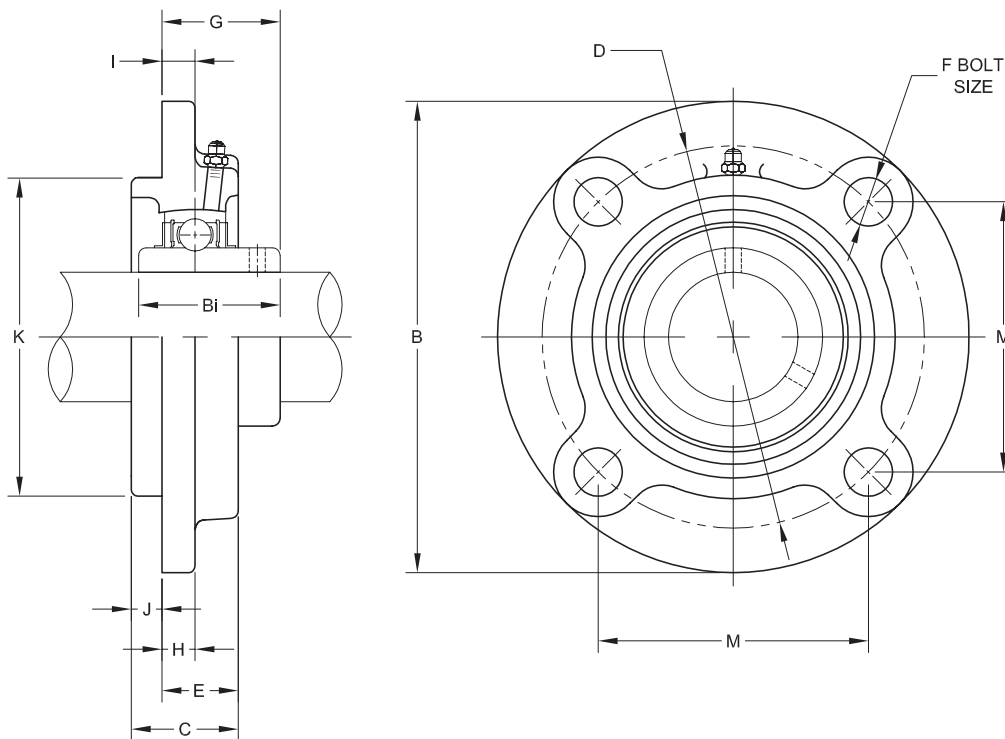
MOUNTED BALL BEARING PILOTED FLANGE

UCFC 200 Series—Normal Duty Set Screw Locking Collar

BALL BEARINGS

SHAFT SIZE	MOLINE PART #	UNIT #	DIMENSIONS (INCHES)					
			B	D	M	I	C	F
3/4	19431012	UCFC 204-12	3 15/16	3.072	2.169	.394	1	.453
7/8	19431014	UCFC 205-14	4.527	3.543	2.504	.394	1.063	.472
15/16	19431015	UCFC 205-15						
1	19431100	UCFC 205-16						
1 1/8	19431102	UCFC 206-18	4.921	3.937	2.783	.394	1.220	.472
1 3/16	19431103	UCFC 206-19						
1 1/4	19431104-06	UCFC 206-20						
1 1/4	19431104	UCFC 207-20	5.315	4.331	3.063	.433	1.338	.551
1 5/16	19431105	UCFC 207-21						
1 3/8	19431106	UCFC 207-22						
1 7/16	19431107	UCFC 207-23						
1 1/2	19431108	UCFC 208-24	5.709	4.724	3.338	.433	1.417	.551
1 9/16	19431109	UCFC 208-25						

For sale as complete units, inserts and housings.



MOUNTED BALL BEARING PILOTED FLANGE

SHAFT SIZE	DIMENSIONS (INCHES)						BOLT SIZE (INCHES)	INSERT #	HOUSING #	WEIGHT LBS.
	J	H	E	K	G	Bi				
3/4	.197	.236	.807	2.4409	1.114	1.2205	3/8	UC 204-12	FC204	1.68
7/8 15/16 1	.236	.275	.827	2.7559	1.169	1.3386	3/8	UC 205-14 UC 205-15 UC 205-16	FC205	2.12
1 1/8 1 3/16 1 1/4	.315	.315	.905	3.1496	1.268	1.50	3/8	UC 206-18 UC 206-19 UC 206-20	FC206	3.02
1 1/4 1 5/16 1 3/8 1 7/16	.315	.354	1.023	3.5433	1.433	1.689	7/16	UC 207-20 UC 207-21 UC 207-22 UC 207-23	FC207	3.75
1 1/2 1 9/16	.394	.354	1.023	3.937	1.622	1.937	7/16	UC 208-24 UC 208-25	FC208	4.41

BALL BEARINGS



For personal service and special requests, please call us at 800.242.4633.

CAD drawings available upon request at no additional charge.

Furnished in non-expansion type only.

For nomenclature see pages 226 and 227.



Post Office Box 99, Batavia, Illinois 60510, USA
630.584.4600, 800.242.4633, 630.584.1999 fax
www.molinebearing.com, sales@molinebearing.com

MOLINE BEARING CO.

TEL # **800.242.4633**

155

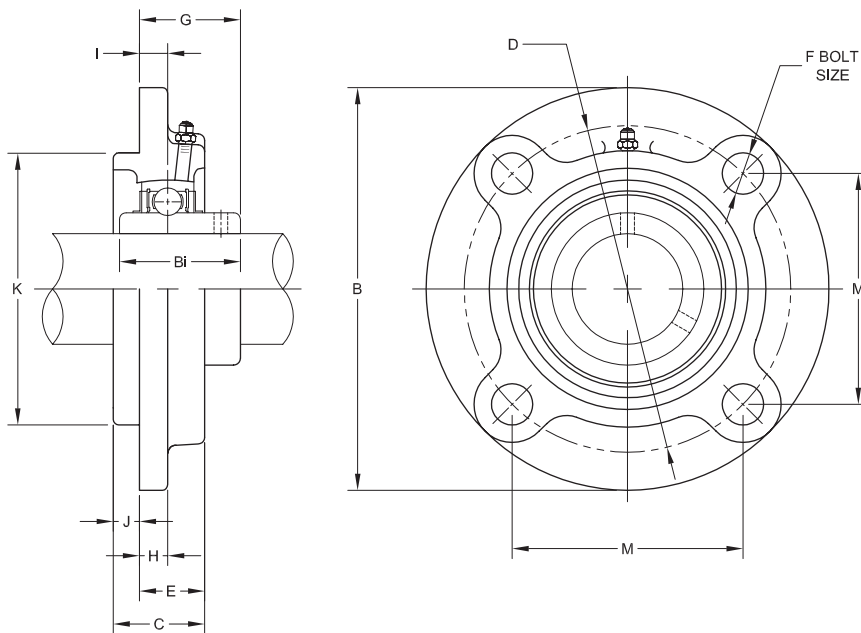
MOUNTED BALL BEARING PILOTED FLANGE CONTINUED

UCFC 200 Series—Normal Duty Set Screw Locking Collar

BALL BEARINGS

SHAFT SIZE	MOLINE PART #	UNIT #	DIMENSIONS (INCHES)					
			B	D	M	I	C	F
1 5/8	19431110	UCFC 209-26	6.299	5.197	3.673	.394	1.496	.630
1 11/16	19431111	UCFC 209-27						
1 3/4	19431112	UCFC 209-28						
1 7/8	19431114	UCFC 210-30	6.496	5.433	3.842	.394	1.575	.630
1 15/16	19431115	UCFC 210-31						
2	19431200-10	UCFC 210-32						
2	19431200	UCFC 211-32	7.283	5.905	4.177	.512	1.653	.748
2 1/8	19431202	UCFC 211-34						
2 3/16	19431203	UCFC 211-35						
2 1/4	19431204	UCFC 212-36	7.677	6.299	4.453	.669	1.890	.748
2 3/8	19431206	UCFC 212-38						
2 7/16	19431207	UCFC 212-39						
2 1/2	19431208	UCFC 213-40	8.071	6.693	4.732	.630	1.929	.748
2 3/4	19431212	UCFC 214-44	8.465	6.969	4.925	.669	2.126	.748
2 15/16	19431215	UCFC 215-47	8.661	7.244	5.122	.669	2.165	.748
3	19431300	UCFC 215-48						

For sale as complete units, inserts and housings.



MOUNTED BALL BEARING PILOTED FLANGE

SHAFT SIZE	DIMENSIONS (INCHES)						BOLT SIZE (INCHES)	INSERT #	HOUSING #	WEIGHT LBS.
	J	H	E	K	G	Bi				
1 5/8 1 11/16 1 3/4	.472	.394	1.023	4.1339	1.583	1.937	1/2	UC 209-26 UC 209-27 UC 209-28	FC209	5.95
1 7/8 1 15/16 2	.472	.551	1.102	4.3307	1.677	2.0315	1/2	UC 210-30 UC 210-31 UC 210-32	FC210	6.39
2 2 1/8 2 3/16	.472	.512	1.181	4.9213	1.827	2.189	5/8	UC 211-32 UC 211-34 UC 211-35	FC211	9.26
2 1/4 2 3/8 2 7/16	.472	.591	1.417	5.315	2.232	2.563	5/8	UC 212-36 UC 212-38 UC 212-39	FC212	10.89
2 1/2	.551	.591	1.378	5.709	2.193	2.563	5/8	UC 213-40	FC213	12.57
2 3/4	.551	.630	1.496	5.905	2.417	2.937	5/8	UC 214-44	FC214	14.99
2 15/16 3	.630	.669	1.535	6.2992	2.461	3.063	5/8	UC 215-47 UC 215-48	FC215	29.76

BALL BEARINGS



For personal service and special requests, please call us at 800.242.4633.
CAD drawings available upon request at no additional charge.

Furnished in non-expansion type only.

For nomenclature see pages 226 and 227.



Post Office Box 99, Batavia, Illinois 60510, USA
630.584.4600, 800.242.4633, 630.584.1999 fax
www.molinebearing.com, sales@molinebearing.com

MOLINE BEARING CO.

TEL # **800.242.4633**

157